

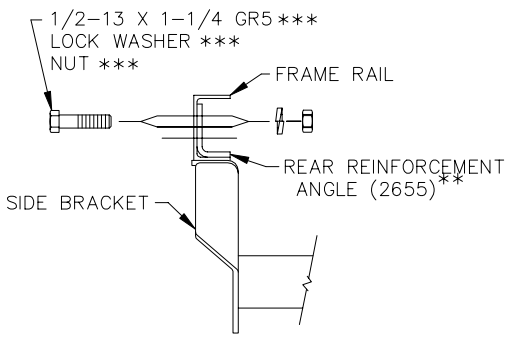
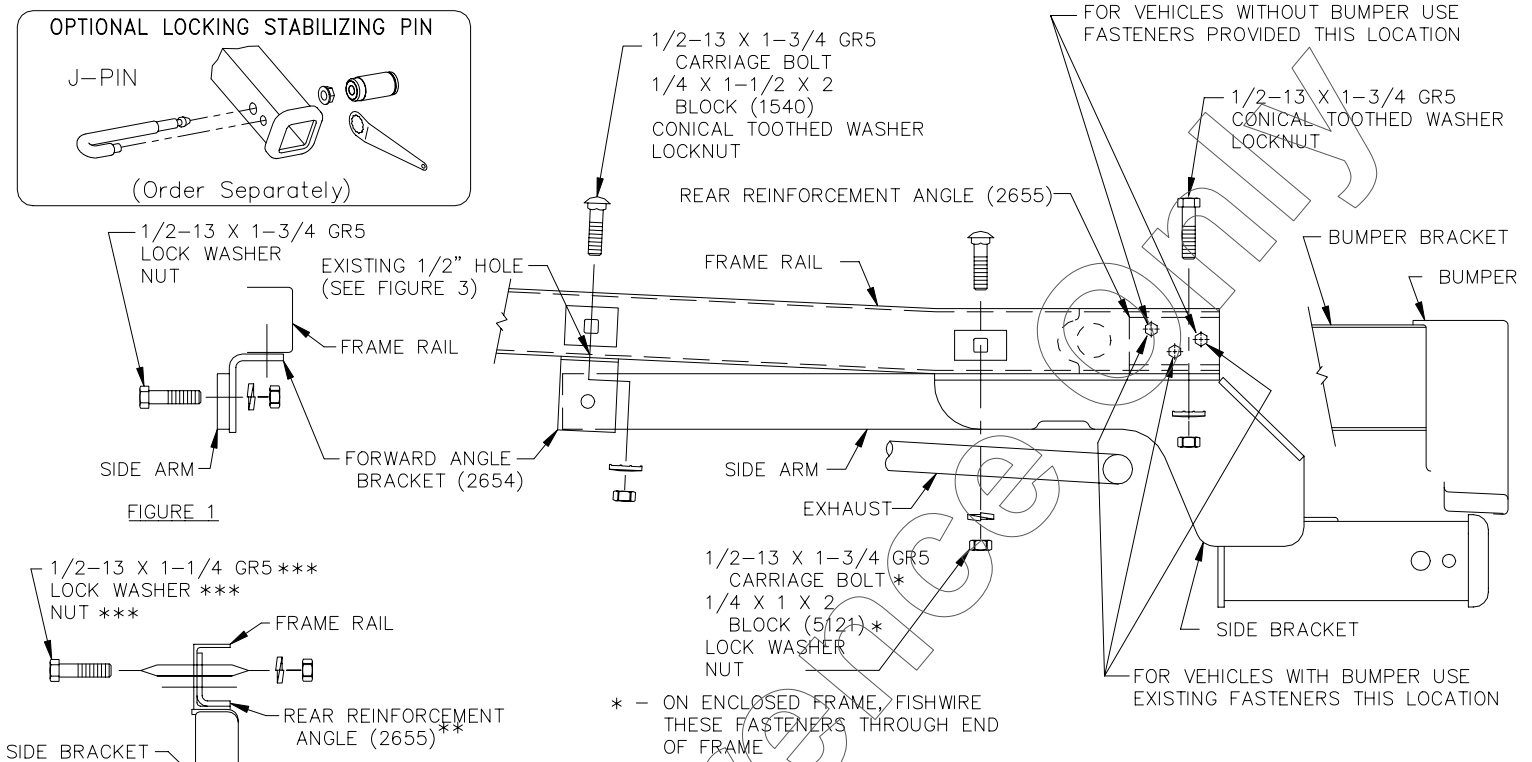
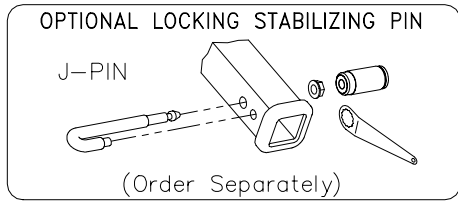
INSTALLATION INSTRUCTIONS

EQUIPMENT REQUIRED: HACKSAW
 WIRING ACCESS LOCATION: PU1, PU2
 DRILL BITS: 1/2"

HITCH REQUIRES 5/8" PIN AND CLIP IF STABILIZING PIN IS NOT INSTALLED.

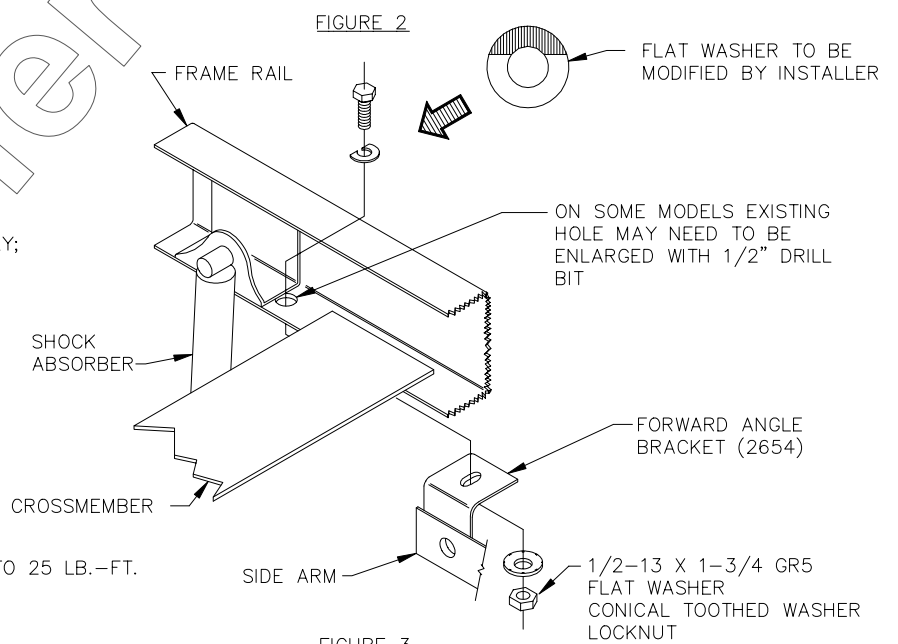
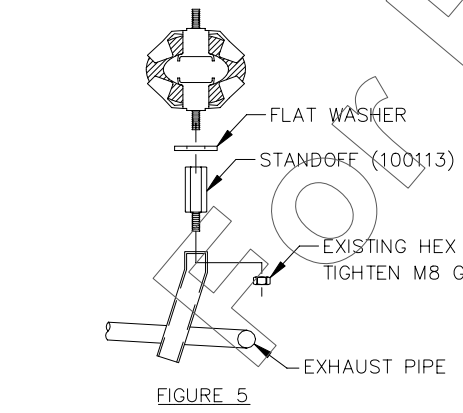
WRENCHES: (TIGHTEN ALL FASTENERS WITH TORQUE WRENCH) 12mm, 18mm, 9/16, 3/4, 7/8

VEHICLE	HITCH NO.
NISSAN PICKUP - 4WD REGULAR & KING CAB WITH OR WITHOUT BUMPER - REGULAR BED REQUIRES 10" SHANK	75046



** - IF VEHICLE IS EQUIPPED WITH A REINFORCEMENT ANGLE AT THE REAR END OF THE FRAME, IT MUST BE REPLACED WITH LEFT AND RIGHT HAND REAR REINFORCEMENT ANGLES (2655) SUPPLIED WITH HITCH

*** - THESE FASTENERS FOR VEHICLES WITHOUT BUMPER ONLY; FOR VEHICLES WITH BUMPER, USE EXISTING FASTENERS



FRONT RIGHT SIDE SPECIAL FASTENER FOR REGULAR CAB, SHORT BOX, 2WD

THIS PRODUCT COMPLIES WITH SAFETY SPECIFICATIONS AND REQUIREMENTS FOR CONNECTING DEVICES AND TOWING SYSTEMS OF THE STATE OF NEW YORK AND V.E.S.C. REGULATION V-5.

APPROX WEIGHT (LB.)	63.3	FASTENER KIT NO.	1130-861
---------------------	------	------------------	----------

NOTE: Check hitch frequently, making sure all fasteners and ball are properly tightened. If hitch is removed, plug all holes in trunk pan or other body panels to prevent entry of water and exhaust fumes. A hitch or ball which has been damaged should be removed and replaced. Observe safety precautions when working beneath a vehicle and wear eye protection. Follow car maker's specs for maximum trailer weight and tongue weight. Do not cut access or attachment holes with a torch.



INSTALLATION INSTRUCTIONS

VEHICLE	HITCH NO.
NISSAN PICKUP - 4WD REGULAR & KING CAB WITH OR WITHOUT BUMPER - REGULAR BED REQUIRES 10" SHANK	75046

1. REMOVE EXISTING HEX NUT FROM EXHAUST BRACKET TO LOWER EXHAUST.

VEHICLES WITH BUMPER

NOTE: IF VEHICLE IS EQUIPPED WITH A REINFORCEMENT ANGLE AT THE REAR END OF THE FRAME, IT MUST BE REPLACED WITH REAR REINFORCEMENT ANGLE (2655) SUPPLIED WITH HITCH.

2. SUPPORT BUMPER WITH JACK AND REMOVE THE FOUR (4) BOLTS ATTACHING THE BUMPER BRACKET AND REINFORCEMENT ANGLE (IF PRESENT) TO THE END OF THE FRAME.
3. REMOVE THE EXISTING REINFORCEMENT ANGLE (IF PRESENT) AND RETURN TO VEHICLE OWNER. INSTALL REAR REINFORCEMENT ANGLE (2655) AS SHOWN. REINSTALL THREE (3) OF THE FOUR (4) BOLTS REMOVED, THROUGH THE VERTICAL PORTION OF THE FRAME RAIL. THE FOURTH BOLT (THROUGH THE BOTTOM, HORIZONTAL PORTION OF THE FRAME) WILL BE INSTALLED IN STEP 12. SEE FIGURES 2 AND 4.
4. REPEAT STEPS 2 AND 3 FOR THE OTHER SIDE OF THE VEHICLE FRAME.
5. PROCEED TO STEP 7.

VEHICLES WITHOUT BUMPER

6. LOOSELY INSTALL 1/2-13 X 1-1/4 GR5 HEX BOLTS, LOCK WASHERS AND NUTS [TWO (2) EACH PER SIDE] THROUGH THE REAR REINFORCEMENT ANGLE (2655) AND INTO VERTICAL PORTION OF THE VEHICLE FRAME (SEE FIGURES 2 AND 4).

NOTE: THE CENTER HOLE IN THE VERTICAL PORTION OF THE REAR REINFORCEMENT ANGLE (2655) IS NOT USED IN THIS CASE.

7. LOCATE 1/2" HOLES [ONE (1) PER SIDE] ON BOTTOM OF FRAME JUST FORWARD OF SPRING SHACKLE AND REARWARD OF SHOCK ABSORBER (SEE FIGURE 3).

NOTE: FOR VEHICLES THAT DO NOT HAVE 1/2" HOLE, POSITION HITCH ON VEHICLE. USING HITCH AS A TEMPLATE, DRILL THE FORWARD 1/2" HOLES INTO THE VEHICLE FRAME

NOTE: ON SOME MODELS IT MAY BE NECESSARY TO ENLARGE THE HOLE USING A 1/2" DRILL BIT.

8. ON VEHICLES WITH ENCLOSED FRAMES, FISHWIRE THE 1/2 X 1-3/4 CARRIAGE BOLT AND 1/4 X 1 X 2 BLOCK (5121) THROUGH THE END OF THE FRAME TO THE FORWARD ATTACHMENT HOLE. SEE FIGURE 2.

9. ON SOME MODELS (REGULAR CAB, RIGHT SIDE) INTERFERENCE WITH THE SHOCK ABSORBER MOUNT REQUIRES THE FORWARD ATTACHMENT FASTENERS TO BE INSTALLED AS SHOWN IN FIGURE 3.

NOTE: FLAT WASHER TO BE MODIFIED BY INSTALLER. THIS IS REQUIRED TO ENSURE THAT THE BOLT INSTALLED IS STRAIGHT AND WILL NOT BEND AFTER TIGHTENING.

10. LOOSELY INSTALL THE FORWARD ANGLE BRACKET (2654), CONICAL TOOTHED WASHER AND LOCKNUT ONTO THE FORWARD MOST BOLT. SEE FIGURES 2 AND 3.

11. POSITION HITCH ON VEHICLE. LOOSELY INSTALL 1/2 X 1-3/4 HEX BOLT, LOCK WASHER AND NUT THROUGH THE HITCH SIDE ARM AND FORWARD ANGLE BRACKET (2654) AS SHOWN IN FIGURE 1.

12. LOOSELY INSTALL THE CENTER AND REARWARD FASTENERS THROUGH THE HORIZONTAL PORTION OF THE VEHICLE FRAME AND THE HITCH SIDE BRACKET AS SHOWN IN FIGURE 2.

13. FOR VEHICLES THAT DO NOT HAVE THE 1/2" HOLES DESCRIBED IN STEP 7; USE THE HITCH AS A TEMPLATE AND DRILL THE FORWARD 1/2" HOLES INTO THE VEHICLE FRAME. INSTALL FORWARD ANGLE BRACKET (2654) AND FASTENERS AS SHOWN IN FIGURES 1, 2 AND 3.

14. TIGHTEN: M12 BUMPER BOLTS TO 45 LB.-FT.
1/2" GR5 FASTENERS TO 75 LB.-FT.

15. REPLACE EXHAUST SYSTEM.

NOTE: IT MAY BE NECESSARY TO INSTALL FLAT WASHER AND STANDOFF (100113) BETWEEN MUFFLER BRACKET AND EXHAUST PIPE BRACKET (FOR PROPER CLEARANCE) AS SHOWN IN FIGURE 5.

THIS PRODUCT COMPLIES WITH SAFETY SPECIFICATIONS AND REQUIREMENTS FOR CONNECTING DEVICES AND TOWING SYSTEMS OF THE STATE OF NEW YORK AND V.E.S.C. REGULATION V-5.

APPROX WEIGHT (LB.)	63.3	FASTENER KIT NO.	1130-861
---------------------	------	------------------	----------

NOTE: Check hitch frequently, making sure all fasteners and ball are properly tightened. If hitch is removed, plug all holes in trunk pan or other body panels to prevent entry of water and exhaust fumes. A hitch or ball which has been damaged should be removed and replaced. Observe safety precautions when working beneath a vehicle and wear eye protection. Follow car maker's specs for maximum trailer weight and tongue weight. Do not cut access or attachment holes with a torch.



Canton, Michigan
www.draw-tite.com