

# INSTALLATION INSTRUCTIONS

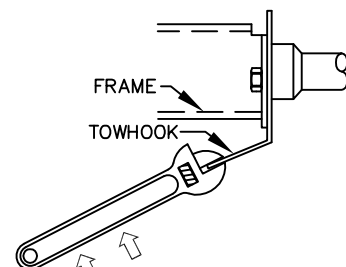
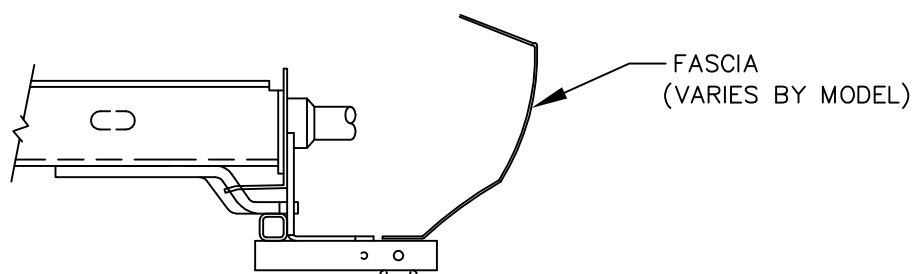
EQUIPMENT REQUIRED: ADJUSTABLE WRENCH, TIN SNIPS  
 WIRING ACCESS LOCATION: PC3 & PC4

DRILL BITS: NONE  
 HITCH REQUIRES 1/2" PIN AND CLIP

WRENCHES: (TIGHTEN ALL FASTENERS WITH TORQUE WRENCH) 3/4, 10mm, 13mm, 15mm, 17mm

VEHICLE  
 FORD TAURUS  
 MERCURY SABLE  
 LINCOLN CONTINENTAL

2000 LB MAX GROSS TRAILER WT  
 200 LB MAX TONGUE WEIGHT  
 DO NOT EXCEED TOWING VEHICLE RATINGS



86-95 TAURUS AND SABLE 88 & LATER CONTINENTAL

ROTATE TOWHOOK 3/4" UPWARD OUT OF THE WAY OF THE HITCH WITH AN ADJUSTABLE WRENCH.

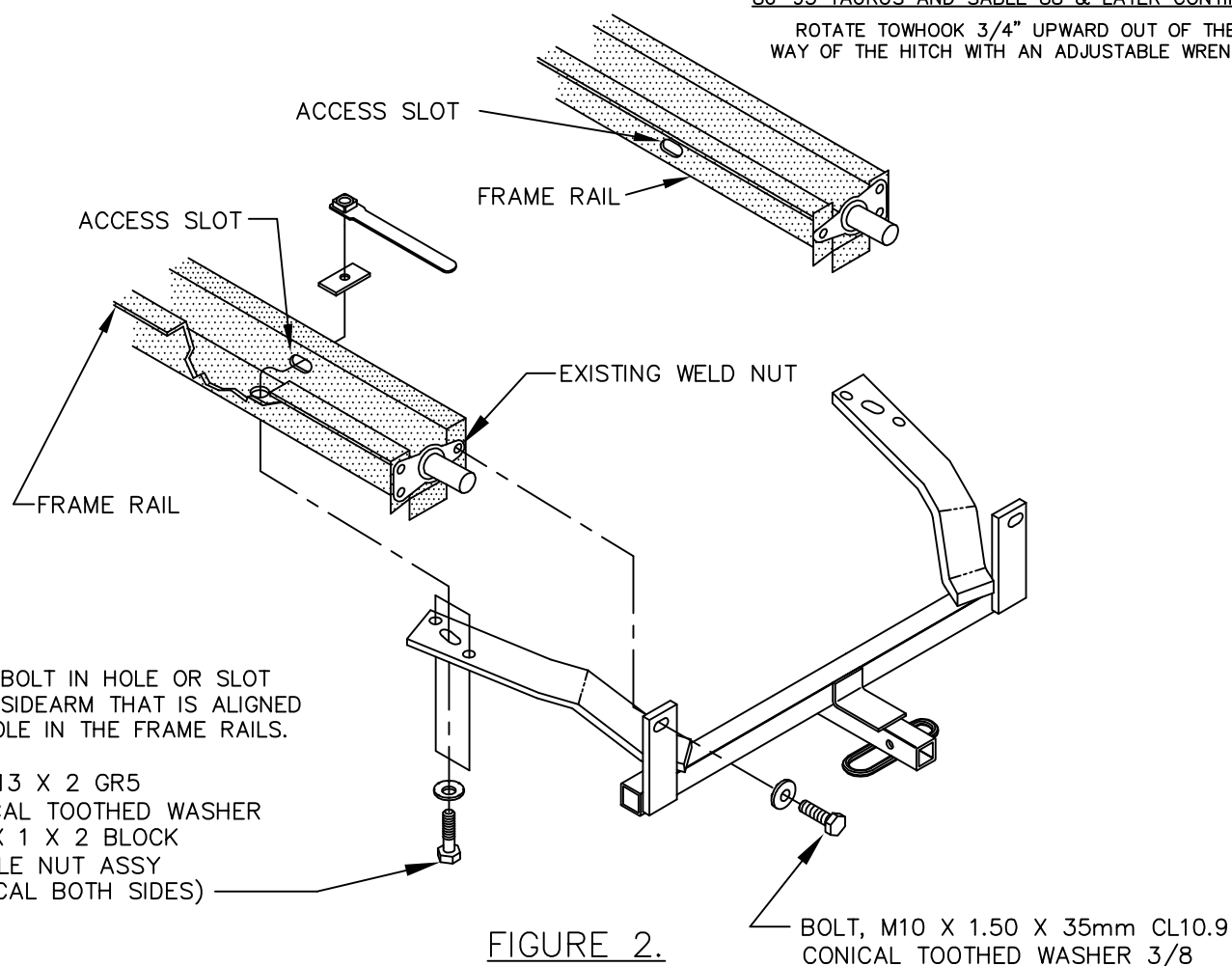
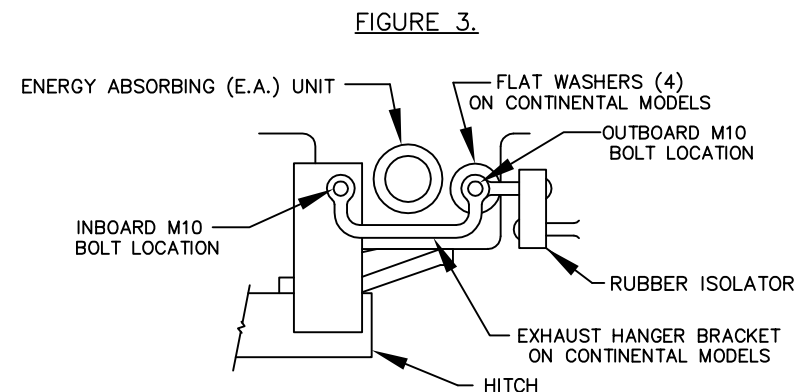


FIGURE 2.

THIS PRODUCT COMPLIES WITH SAFETY SPECIFICATIONS AND REQUIREMENTS FOR CONNECTING DEVICES AND TOWING SYSTEMS OF THE STATE OF NEW YORK AND V.E.S.C. REGULATION V-5.

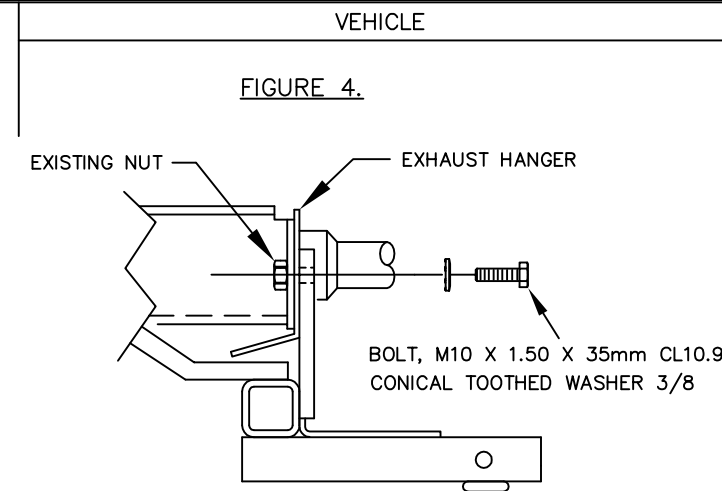
APPROX WEIGHT (LB.)	FASTENER KIT
27.0	F24699

NOTE: Check hitch frequently, making sure all fasteners and ball are properly tightened. If hitch is removed, plug all holes in trunk pan or other body panels to prevent entry of water and exhaust fumes. A hitch or ball which has been damaged should be removed and replaced. Observe safety precautions when working beneath a vehicle and wear eye protection. Follow car maker's specs for maximum trailer weight and tongue weight. Do not cut access or attachment holes with a torch.



88-94 CONTINENTALS WITH DUAL EXHAUST  
 TAURUS SHO WITH DUAL EXHAUST

HITCH & (4) FLAT WASHERS ARE SHOWN BETWEEN E.A. AND EXHAUST HANGER BRACKET



95 & LATER CONTINENTALS

NOTE: SOME PRE-1987 TAURUS AND SABLE MODELS HAVE A HEAT SHIELD THAT PARTIALLY COVERS THE HITCH ATTACHING HOLE. REMOVE TWO (2) RIVETS AND TRIM HEAT SHIELD FOR PROPER CLEARANCE. SANDWICH SHIELD BETWEEN HITCH ARM AND VEHICLE FRAME, AND INSTALL HITCH AS DESCRIBED BELOW.

- DETACH RUBBER ISOLATOR FROM EXHAUST HANGER BRACKET.  
 NOTE: 86-95 MODELS USE ADJUSTABLE WRENCH TO BEND TOWHOOK UPWARD APPROXIMATELY 3/4" AS SHOWN IN FIGURE 1.  
 NOTE: ON 96 AND LATER MODELS IF TOWHOOKS ARE PRESENT ON BUMPER, REMOVE AND REINSTALL FASTENERS.
- REMOVE TWO (2) INBOARD E.A BOLTS, ONE (1) PER SIDE FROM E.A. UNIT (SEE FIGURE 2), DISCARD BOLTS.  
 NOTE: 88-94 CONTINENTALS AND TAURUS SHO WITH DUAL EXHAUST NEED TO HAVE INBOARD & OUTBOARD BOLTS REMOVED AND DISCARDED.
- POSITION HITCH ON VEHICLE AND INSTALL (2) M10 BOLTS AND 3/8 CONICAL WASHERS, ON THE INBOARD SIDE OF THE E.A., BOTH SIDES, AS SHOWN IN FIGURES 2 AND 4.  
 NOTE: IN ADDITION, ON 88-94 CONTINENTALS AND TAURUS SHO WITH DUAL EXHAUST, REINSTALL EXHAUST HANGER BRACKETS WITH FOUR (4) 1/2" WASHERS PLACED ON EACH OUTBOARD SIDE AS SPACERS AND M10 BOLTS, ONE (1) PER SIDE, SEE FIG. 3.  
 FORWARD ATTACHMENT-NO DRILLING REQUIRED; USE EXISTING HOLES IN VEHICLE FRAME.
- INSERT BLOCK AND HANDLE NUT THROUGH ACCESS SLOT. INSTALL 1/2" HEX BOLT AND 1/2" CONICAL TOOTHED WASHER THROUGH FRAME AND BLOCK INTO HANDLE NUT AS SHOWN IN FIGURE 2. ENSURE THAT HANDLE NUT CAN BE EASILY THREADED ONTO BOLT BEFORE INSTALLATION.
- TIGHTEN BOLTS TO SPECIFIED TORQUE.
- REATTACH RUBBER ISOLATOR TO EXHAUST HANGER BRACKET.

TIGHTEN ALL M10 FASTENERS TO 42 LB.-FT.  
 TIGHTEN ALL 1/2 GR5 FASTENERS TO 50 LB.-FT.

STANDARD DRAWBAR (SOLD SEPARATELY)	OPTIONAL DRAWBAR (SOLD SEPARATELY) FOR 1999 AND EARLIER MODELS ONLY
<p>DRAWBAR KIT 3592</p> <p>9 3/4" Length</p> <p>2 1/8" Rise</p> <p>PIN 06237</p> <p>CLIP 55515</p>	<p>DRAWBAR KIT 3593</p> <p>6 5/8" Length</p> <p>2 1/8" Rise</p> <p>PIN 06237</p> <p>CLIP 55515</p>

USE ONLY THE DRAWBAR SHOWN FOR CORRECT BUMPER CLEARANCE AND HEIGHT. DRAWBAR MUST BE USED IN THE RISE POSITION ONLY.

THIS PRODUCT COMPLIES WITH SAFETY SPECIFICATIONS AND REQUIREMENTS FOR CONNECTING DEVICES AND TOWING SYSTEMS OF THE STATE OF NEW YORK AND V.E.S.C. REGULATION V-5.

APPROX WEIGHT (LB.)
---------------------

NOTE: Check hitch frequently, making sure all fasteners and ball are properly tightened. If hitch is removed, plug all holes in trunk pan or other body panels to prevent entry of water and exhaust fumes. A hitch or ball which has been damaged should be removed and replaced. Observe safety precautions when working beneath a vehicle and wear eye protection. Follow car maker's specs for maximum trailer weight and tongue weight. Do not cut access or attachment holes with a torch.

