

# Installation Instructions

## CUSTOM QUICK INSTALL MOUNTING KIT

**Chevrolet/GMC 1500/2500/3500**

**Part Numbers:**

**50061**

**WARNING:** Under no circumstances do we recommend exceeding the towing vehicle manufacturers recommended vehicle towing capacity.

**Equipment Required:**

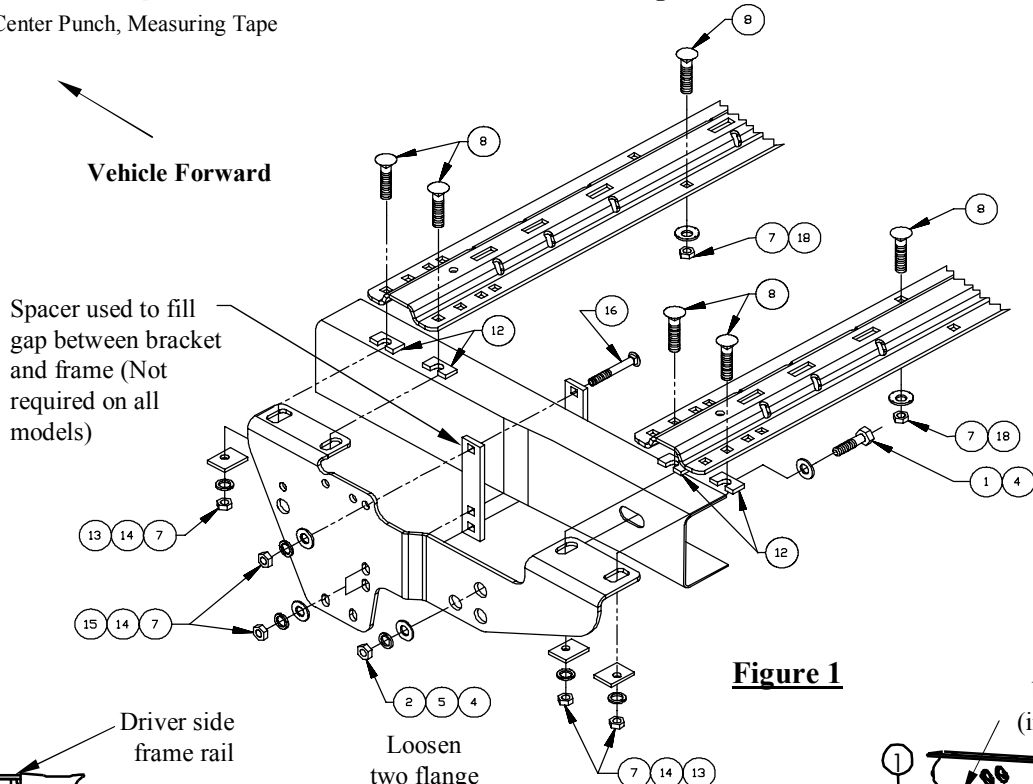
**Fastener Kit:** 50061F

**Wrenches:** 3/4, 7/8, 1-1/8

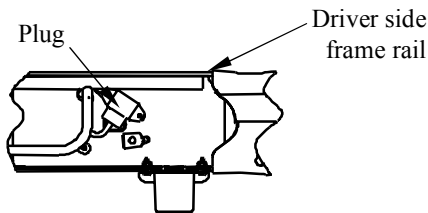
**Drill Bits:** 1/8", 1/2", 3/4" Step Drill

**Other Tools:** Center Punch, Measuring Tape

**2007 ("New Body Style") & Up – 1500  
5'8", 6'6", & 8' Bed Pickup Installation**

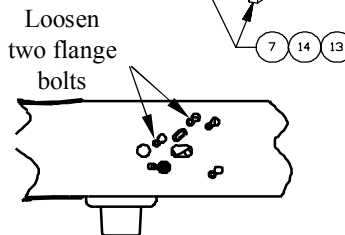


**Figure 1**



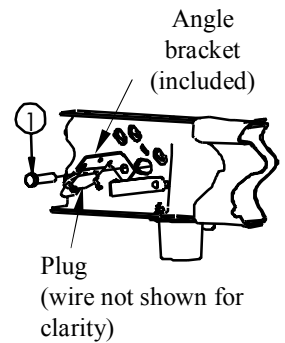
**Figure 2a**

Inside driver side frame rail



**Figure 2b**

Outside driver side frame rail



**Figure 2c**

<b>1</b>	Qty. (4)	3/4" X 1-1/2 Hex Bolt	<b>10</b>	Qty. (2)	1/2" Bolt Leader (not shown)
<b>2</b>	Qty. (4)	3/4" Hex Nut	<b>11</b>	Qty. (2)	1/4" X 1.00 X 2.00 Block (Square Hole)
<b>3</b>	Qty. (2)	3/4" Flat Washer (Small)	<b>12</b>	Qty. (8)	U-Shape Block
<b>4</b>	Qty. (6)	3/4" Flat Washer (Large)	<b>13</b>	Qty. (8)	1/4" X 1.50 X 2.00 Block (Offset Hole)
<b>5</b>	Qty. (4)	3/4" Lock Washer	<b>14</b>	Qty. (12)	1/2" Lock Washer
<b>6</b>	Qty. (2)	1/2-13 X 1.50" Carriage Bolt	<b>15</b>	Qty. (4)	1/2" Flat Washer
<b>7</b>	Qty. (14)	1/2" Hex Nut	<b>16</b>	Qty. (4)	1/2-13 X 4.50 or 5.50 Carriage Bolt (as needed)
<b>8</b>	Qty. (10)	1/2-13 X 2.00 Carriage Bolt	<b>17</b>	Qty. (2)	1/2" U-Bolt
<b>9</b>	Qty. (2)	3/4" Bolt Leader (not shown)	<b>18</b>	Qty. (2)	1/2" Conical Toothed Washer

# Installation Instructions

Part Numbers:

## CUSTOM QUICK INSTALL

**50061**

### MOUNTING KIT

#### **Chevrolet/GMC 1500/2500/3500**

1. Do not install mounting rails over plastic bed liners. Plastic bed liners must be cut out of the way to provide metal to metal contact. Mounting rails may be installed on spray in liners.
2. Use only bolts, nuts, and washers supplied to install this kit. All bolts are grade 5 and nuts are grade 5 unless otherwise specified.
3. These instructions are guidelines only, actual installation is the responsibility of the installer and the owner. Always measure truck and trailer before installing hitch to be sure that there is clearance at the cab and at the bumper to allow for turns.
4. **DO NOT INSTALL THIS PRODUCT ON OR ATTEMPT TO TOW WITH A TRUCK WITH A BED THAT IS LESS THAN 6' LONG UNLESS A SIDEWINDER PINBOX COUPLER HAS BEEN INSTALLED ON THE TRAILER.**

#### **2007 ("New Body Style") & Up – 1500 5'8", 6'6", & 8' Bed Pickup Installation**

1. Lower and remove spare tire. Remove exhaust heat shield from the underneath the passenger side of the vehicle.
2. **On 2007 "New Body Style" Pickups with OE Trailer Brake Controller:** Relocate the electrical plug that is located on the inside of the driver's side frame rail over the rear wheel (Figure 2a). The plug may be removed from the frame by loosening the two bolts on the outside of the frame and pushing the bolt heads through the key hole slots, as shown in Figure 2b. Attach the plug to the angle bracket supplied with the mounting kit. The bracket will be attached to the inside of the frame with a 3/4" bolt at a later installation step.
3. Place one mounting rail in the bed of the vehicle. Center the rail on the floor of the truck bed and use your tape measure to locate the proper distance from the rail to the rear edge of the truck box as illustrated on last page.
4. Use a center punch to mark the holes in the rail per the illustration. Move the rail out of the way and drill each position with a 1/8" drill bit. **Note: On the driver's side of the vehicle the gas tank is located below the bed of the vehicle. When drilling holes through the bed be sure not to damage the fuel tank.**
5. Temporarily position the frame brackets on the sides of the frame and check that the 1/8" drilled holes align with the slots in the frame brackets. Remove the frame brackets from the vehicle.
6. Enlarge the 1/8" drilled holes to 9/16" with a step drill.
7. Fasten the frame brackets to the vehicle frame rails as shown in Figure 1 (additional spacers are included to fill excessive gap between frame brackets and the vehicle frame rails, use as required on certain models). On 2007 "New Body Style" Pickups with OE Brake Controller, refer to installation step 2 to relocate the plug with the angle bracket. Use the 3/4" X 1.50 bolt to attach the angle bracket to the inside of the frame (see Figure 2c).
8. Reposition the mounting rail over the holes in the bed and fasten the mounting rail to the frame brackets using the supplied carriage bolts. Use the supplied U-shaped blocks between the frame bracket or mounting rails and the truck bed to ensure metal to metal contact.
9. Place the unassembled 5<sup>th</sup> wheel support arches/slider/goose into the already installed mounting rail. Position the rearward mounting rail with the support arches/slider/goose by inserting the tabs into the mounting rail and pushing the mounting rail tight towards the other mounting rail. Ensure that the mounting rail is centered on the bed of the vehicle. This will position the rail in the correct location and ensure that the 5<sup>th</sup> wheel will have a snug fit to the truck. **Note:** If more than one hitch product will be used with the mounting rails then both types should be used at the same time to align the rearward mounting rail. This will ensure that one product does not compromise the fit of the other.
10. Repeat installation steps 4, 6 and 8.
11. Starting with the carriage bolts that fasten the rails the frame bracket, torque all the nuts.  
Torque the 1/2" fasteners to 75 (ft.-lb.) 102 (N\*M)  
Torque the 3/4" fasteners to 260 (ft.-lb.) 353 (N\*M)
11. Re-install spare tire.

# Installation Instructions

## CUSTOM QUICK INSTALL

### MOUNTING KIT

Part Numbers:

**50061**

## Chevrolet/GMC 1500/2500/3500

### 2001 & Up – 2500/3500 Short Bed & Long Bed Pickup Installation

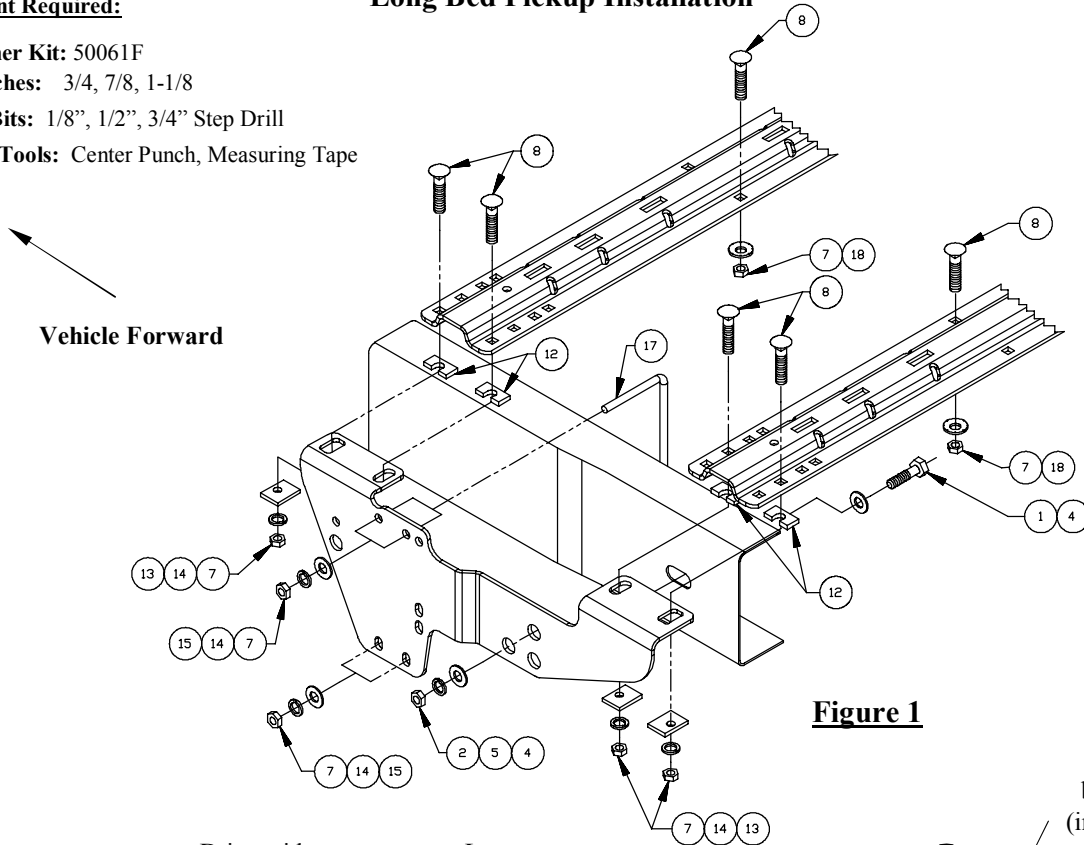
**Equipment Required:**

**Fastener Kit:** 50061F

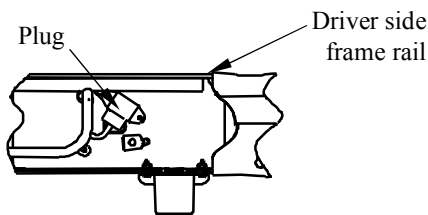
**Wrenches:** 3/4, 7/8, 1-1/8

**Drill Bits:** 1/8", 1/2", 3/4" Step Drill

**Other Tools:** Center Punch, Measuring Tape

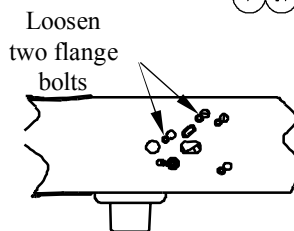


**Figure 1**



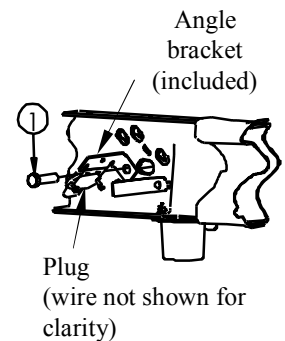
**Figure 2a**

Inside driver side frame rail



**Figure 2b**

Outside driver side frame rail



**Figure 2c**

<b>1</b>	Qty. (4)	3/4" X 1-1/2 Hex Bolt	<b>10</b>	Qty. (2)	1/2" Bolt Leader (not shown)
<b>2</b>	Qty. (4)	3/4" Hex Nut	<b>11</b>	Qty. (2)	1/4" X 1.00 X 2.00 Block (Square Hole)
<b>3</b>	Qty. (2)	3/4" Flat Washer (Small)	<b>12</b>	Qty. (8)	U-Shape Block
<b>4</b>	Qty. (6)	3/4" Flat Washer (Large)	<b>13</b>	Qty. (8)	1/4" X 1.50 X 2.00 Block (Offset Hole)
<b>5</b>	Qty. (4)	3/4" Lock Washer	<b>14</b>	Qty. (12)	1/2" Lock Washer
<b>6</b>	Qty. (2)	1/2" X 1.50" Carriage Bolt	<b>15</b>	Qty. (4)	1/2" Flat Washer
<b>7</b>	Qty. (14)	1/2" Hex Nut	<b>16</b>	Qty. (4)	1/2-13 X 4.50 or 5.50 Carriage Bolt (as needed)
<b>8</b>	Qty. (10)	1/2" X 2.00 Carriage Bolt	<b>17</b>	Qty. (2)	1/2" U-Bolt
<b>9</b>	Qty. (2)	3/4" Bolt Leader (not shown)	<b>18</b>	Qty. (2)	1/2" Conical Toothed Washer

# Installation Instructions

Part Numbers:

## CUSTOM QUICK INSTALL

**50061**

### MOUNTING KIT

#### **Chevrolet/GMC 1500/2500/3500**

1. Do not install mounting rails over plastic bed liners. Plastic bed liners must be cut out of the way to provide metal to metal contact. Mounting rails may be installed on spray in liners.
2. Use only bolts, nuts, and washers supplied to install this kit. All bolts are grade 5 and nuts are grade 5 unless otherwise specified.
3. These instructions are guidelines only, actual installation is the responsibility of the installer and the owner. Always measure truck and trailer before installing hitch to be sure that there is clearance at the cab and at the bumper to allow for turns.
4. **DO NOT INSTALL THIS PRODUCT ON OR ATTEMPT TO TOW WITH A TRUCK WITH A BED THAT IS LESS THAN 6' LONG UNLESS A SIDEWINDER PINBOX COUPLER HAS BEEN INSTALLED ON THE TRAILER.**

#### **2001 & Up – 2500/3500 Short Bed & Long Bed Pickup Installation**

1. Lower and remove spare tire. Remove exhaust heat shield from the underneath the passenger side of the vehicle.
2. **On 2007 “New Body Style” Pickups with OE Trailer Brake Controller:** Relocate the electrical plug that is located on the inside of the driver’s side frame rail over the rear wheel (Figure 2a). The plug may be removed from the frame by loosening the two bolts on the outside of the frame and pushing the bolt heads through the key hole slots, as shown in Figure 2b. Attach the plug to the angle bracket supplied with the mounting kit. The bracket will be attached to the inside of the frame with a 3/4” bolt at a later installation step.
3. Place one mounting rail in the bed of the vehicle. Center the rail on the floor of the truck bed and use your tape measure to locate the proper distance from the rail to the rear edge of the truck box as illustrated on last page.
4. Use a center punch to mark the holes in the rail per the illustration. Move the rail out of the way and drill each position with a 1/8” drill bit. **Note: On the driver’s side of the vehicle the gas tank is located below the bed of the vehicle. When drilling holes through the bed be sure not to damage the fuel tank.**
5. Temporarily position the frame brackets on the sides of the frame and check that the 1/8” drilled holes align with the slots in the frame brackets. Remove the frame brackets from the vehicle.
6. Enlarge the 1/8” drilled holes to 9/16” with a step drill.
7. Fasten the frame brackets to the vehicle frame rails as shown in Figure 1 (forward hole can be drilled as an optional installation, to replace the U-bolt attachment if preferred, either installation is approved, see page 7 for drilling instructions). On 2007 “New Body Style” Pickups with OE Brake Controller, refer to installation step 2 to relocate the plug with the angle bracket. Use the 3/4” X 1.50 bolt to attach the angle bracket to the inside of the frame (see Figure 2c).
8. Reposition the mounting rail over the holes in the bed and fasten the mounting rail to the frame brackets using the supplied carriage bolts. Use the supplied U-shaped blocks between the frame bracket or mounting rails and the truck bed to ensure metal to metal contact.
9. Place the unassembled 5<sup>th</sup> wheel support arches/slider/goose into the already installed mounting rail. Position the rearward mounting rail with the support arches/slider/goose by inserting the tabs into the mounting rail and pushing the mounting rail tight towards the other mounting rail. Ensure that the mounting rail is centered on the bed of the vehicle. This will position the rail in the correct location and ensure that the 5<sup>th</sup> wheel will have a snug fit to the truck. **Note:** If more than one hitch product will be used with the mounting rails then both types should be used at the same time to align the rearward mounting rail. This will ensure that one product does not compromise the fit of the other.
10. Repeat installation steps 4, 6 and 8.
11. Starting with the carriage bolts that fasten the rails the frame bracket, torque all the nuts.  
Torque the 1/2” fasteners to 75 (ft.-lb.) 102 (N\*M)  
Torque the 3/4” fasteners to 260 (ft.-lb.) 353 (N\*M)
12. Re-install spare tire.

# Installation Instructions

## CUSTOM QUICK INSTALL

### MOUNTING KIT

**Chevrolet/GMC 1500/2500/3500**

**Part Numbers:**

**50061**

**Equipment Required:**

**Fastener Kit:** 50061F

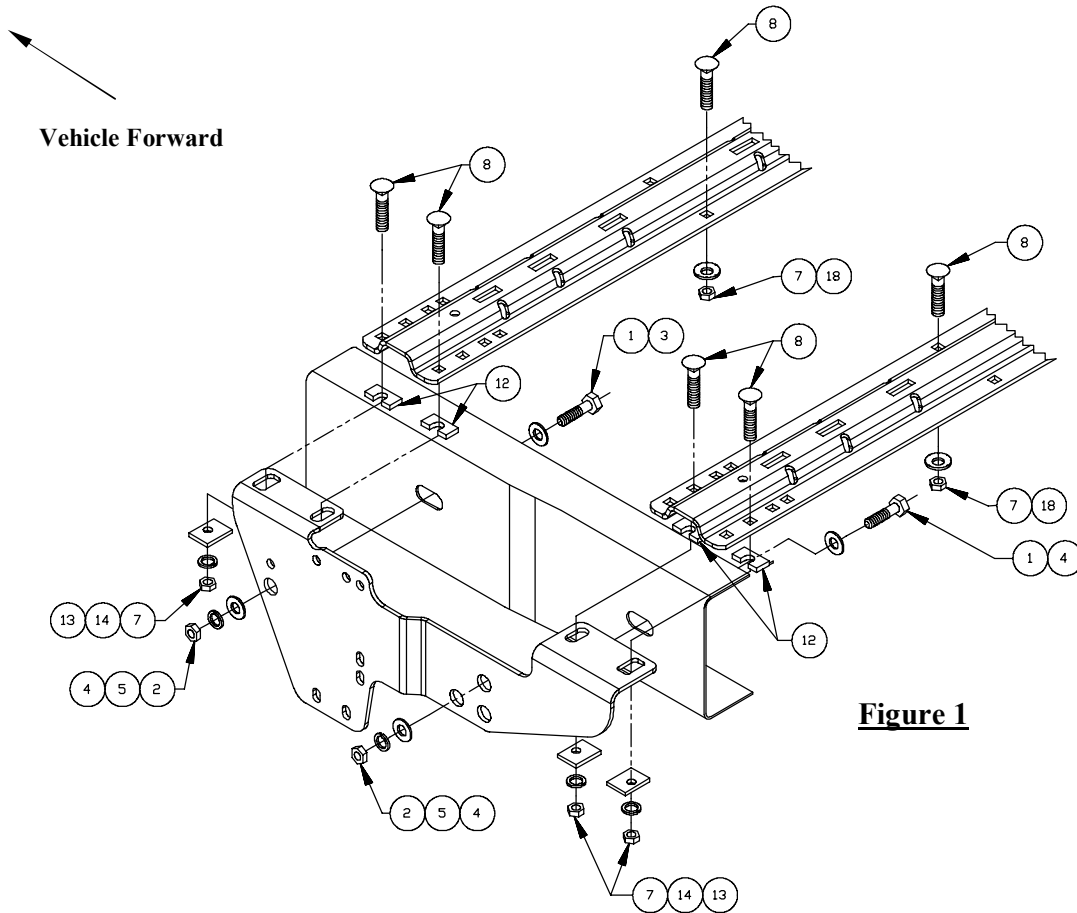
**Wrenches:** 3/4, 7/8, 1-1/8

**Drill Bits:** 1/8", 1/2", 3/4" Step Drill

**Other Tools:** Center Punch, Measuring Tape

**WARNING:** Under no circumstances do we recommend exceeding the towing vehicle manufacturers recommended vehicle towing capacity.

**1999-2007 "Classic" – 1500/2500 Light Duty  
5'8", 6'6", & 8' Bed Pickup Installation**



**Figure 1**

<b>1</b>	Qty. (4)	3/4" X 1-1/2 Hex Bolt	<b>10</b>	Qty. (2)	1/2" Bolt Leader (not shown)
<b>2</b>	Qty. (4)	3/4" Hex Nut	<b>11</b>	Qty. (2)	1/4" X 1.00 X 2.00 Block (Square Hole)
<b>3</b>	Qty. (2)	3/4" Flat Washer (Small)	<b>12</b>	Qty. (8)	U-Shape Block
<b>4</b>	Qty. (6)	3/4" Flat Washer (Large)	<b>13</b>	Qty. (8)	1/4" X 1.50 X 2.00 Block (Offset Hole)
<b>5</b>	Qty. (4)	3/4" Lock Washer	<b>14</b>	Qty. (12)	1/2" Lock Washer
<b>6</b>	Qty. (2)	1/2" X 1.50" Carriage Bolt	<b>15</b>	Qty. (4)	1/2" Flat Washer
<b>7</b>	Qty. (14)	1/2" Hex Nut	<b>16</b>	Qty. (4)	1/2-13 X 4.50 or 5.50 Carriage Bolt (as needed)
<b>8</b>	Qty. (10)	1/2" X 2.00 Carriage Bolt	<b>17</b>	Qty. (2)	1/2" U-Bolt
<b>9</b>	Qty. (2)	3/4" Bolt Leader (not shown)	<b>18</b>	Qty. (2)	1/2" Conical Toothed Washer

# Installation Instructions

Part Numbers:

## CUSTOM QUICK INSTALL

**50061**

## MOUNTING KIT

### **Chevrolet/GMC 1500/2500/3500**

1. Do not install mounting rails over plastic bed liners. Plastic bed liners must be cut out of the way to provide metal to metal contact. Mounting rails may be installed on spray in liners.
2. Use only bolts, nuts, and washers supplied to install this kit. All bolts are grade 5 and nuts are grade 5 unless otherwise specified.
3. These instructions are guidelines only, actual installation is the responsibility of the installer and the owner. Always measure truck and trailer before installing hitch to be sure that there is clearance at the cab and at the bumper to allow for turns.
4. DO NOT INSTALL THIS PRODUCT ON OR ATTEMPT TO TOW WITH A TRUCK WITH A BED THAT IS LESS THAN 6' LONG UNLESS A SIDEWINDER PINBOX COUPLER HAS BEEN INSTALLED ON THE TRAILER.

#### **1999-2007 "Classic" – 1500/2500 Light Duty 5'8", 6'6", & 8' Bed Pickup Installation**

1. Lower and remove spare tire. Remove exhaust heat shield from the underneath the passenger side of the vehicle.
2. Place one mounting rail in the bed of the vehicle. Center the rail on the floor of the truck bed and use your tape measure to locate the proper distance from the rail to the rear edge of the truck box as illustrated on last page.
3. Use a center punch to mark the holes in the rail per the illustration. Move the rail out of the way and drill each position with a 1/8" drill bit. **Note: On the driver's side of the vehicle the gas tank is located below the bed of the vehicle. When drilling holes through the bed be sure not to damage the fuel tank.**
4. Temporarily position the frame brackets on the sides of the frame and check that the 1/8" drilled holes align with the slots in the frame brackets. Remove the frame brackets from the vehicle.
5. Enlarge the 1/8" drilled holes to 9/16" with a step drill.
6. Fasten the frame brackets to the vehicle frame rails as shown in Figure 1.
7. Reposition the mounting rail over the holes in the bed and fasten the mounting rail to the frame brackets using the supplied carriage bolts. Use the supplied U-shaped blocks between the frame bracket or mounting rails and the truck bed to ensure metal to metal contact.
8. Place the unassembled 5<sup>th</sup> wheel support arches/slider/goose into the already installed mounting rail. Position the rearward mounting rail with the support/slider/goose by inserting the tabs into the mounting rail and pushing the mounting rail tight towards the other mounting rail. Ensure that the mounting rail is centered on the bed of the vehicle. This will position the rail in the correct location and ensure that the 5<sup>th</sup> wheel will have a snug fit to the truck. **Note: If more than one hitch product will be used with the mounting rails then both types should be used at the same time to align the rearward mounting rail. This will ensure that one product does not compromise the fit of the other.**
9. Repeat installation steps 3, 5 and 7.
10. Starting with the carriage bolts that fasten the rails the frame bracket, torque all the nuts.  
Torque the 1/2" fasteners to 75 (ft.-lb.) 102 (N\*M)  
Torque the 3/4" fasteners to 260 (ft.-lb.) 353 (N\*M)
11. Re-install spare tire.

# Installation Instructions

## CUSTOM QUICK INSTALL

### MOUNTING KIT

**Chevrolet/GMC 1500/2500/3500**

**Part Numbers:**

**50061**

**Equipment Required:**

**Fastener Kit:** 50061F

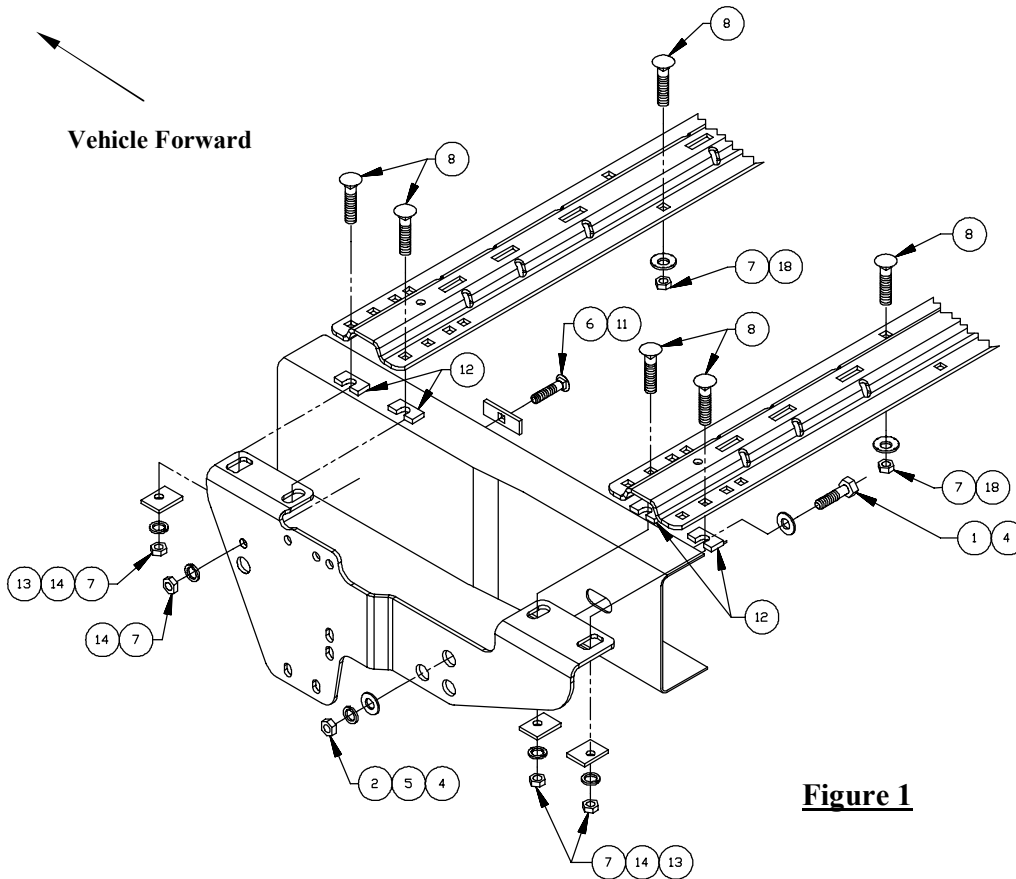
**Wrenches:** 3/4, 7/8, 1-1/8

**Drill Bits:** 1/8", 1/2", 3/4" Step Drill

**Other Tools:** Center Punch, Measuring Tape

**WARNING:** Under no circumstances do we recommend exceeding the towing vehicle manufacturers recommended vehicle towing capacity.

### Optional Drilled Application



**Figure 1**

<b>1</b>	Qty. (4)	3/4" X 1-1/2 Hex Bolt	<b>10</b>	Qty. (2)	1/2" Bolt Leader (not shown)
<b>2</b>	Qty. (4)	3/4" Hex Nut	<b>11</b>	Qty. (2)	1/4" X 1.00 X 2.00 Block (Square Hole)
<b>3</b>	Qty. (2)	3/4" Flat Washer (Small)	<b>12</b>	Qty. (8)	U-Shape Block
<b>4</b>	Qty. (6)	3/4" Flat Washer (Large)	<b>13</b>	Qty. (8)	1/4" X 1.50 X 2.00 Block (Offset Hole)
<b>5</b>	Qty. (4)	3/4" Lock Washer	<b>14</b>	Qty. (12)	1/2" Lock Washer
<b>6</b>	Qty. (2)	1/2" X 1.50" Carriage Bolt	<b>15</b>	Qty. (4)	1/2" Flat Washer
<b>7</b>	Qty. (14)	1/2" Hex Nut	<b>16</b>	Qty. (4)	1/2-13 X 4.50 or 5.50 Carriage Bolt (as needed)
<b>8</b>	Qty. (10)	1/2" X 2.00 Carriage Bolt	<b>17</b>	Qty. (2)	1/2" U-Bolt
<b>9</b>	Qty. (2)	3/4" Bolt Leader (not shown)	<b>18</b>	Qty. (2)	1/2" Conical Toothed Washer

# Installation Instructions

Part Numbers:

## CUSTOM QUICK INSTALL

**50061**

## MOUNTING KIT

### **Chevrolet/GMC 1500/2500/3500**

1. Do not install mounting rails over plastic bed liners. Plastic bed liners must be cut out of the way to provide metal to metal contact. Mounting rails may be installed on spray in liners.
2. Use only bolts, nuts, and washers supplied to install this kit. All bolts are grade 5 and nuts are grade 5 unless otherwise specified.
3. These instructions are guidelines only, actual installation is the responsibility of the installer and the owner. Always measure truck and trailer before installing hitch to be sure that there is clearance at the cab and at the bumper to allow for turns.
4. **DO NOT INSTALL THIS PRODUCT ON OR ATTEMPT TO TOW WITH A TRUCK WITH A BED THAT IS LESS THAN 6' LONG UNLESS A SIDEWINDER PINBOX COUPLER HAS BEEN INSTALLED ON THE TRAILER.**

### **Optional Drilled Application**

1. Lower and remove spare tire. Remove exhaust heat shield from the underneath the passenger side of the vehicle.
2. Place one mounting rail in the bed of the vehicle. Center the rail on the floor of the truck bed and use your tape measure to locate the proper distance from the rail to the rear edge of the truck box as illustrated on last page.
3. Use a center punch to mark the holes in the rail per the illustration. Move the rail out of the way and drill each position with a 1/8" drill bit. **Note: On the driver's side of the vehicle the gas tank is located below the bed of the vehicle. When drilling holes through the bed be sure not to damage the fuel tank.**
4. Temporarily position the frame brackets on the sides of the frame and check that the 1/8" drilled holes align with the slots in the frame brackets. Remove the frame brackets from the vehicle.
5. Enlarge the 1/8" drilled holes to 9/16" with a step drill.
6. Position the frame brackets with the 9/16" holes drilled in step 5 and using the frame brackets as a template, drill 1/2" hole through the vehicle frame rail and fasten the frame brackets to the vehicle frame rails as shown in Figure 1.
7. Reposition the mounting rail over the holes in the bed and fasten the mounting rail to the frame brackets using the supplied carriage bolts. Use the supplied U-shaped blocks between the frame bracket or mounting rails and the truck bed to ensure metal to metal contact.
8. Place the unassembled 5<sup>th</sup> wheel support arches/slider/goose into the already installed mounting rail. Position the rearward mounting rail with the support arches/slider/goose by inserting the tabs into the mounting rail and pushing the mounting rail tight towards the other mounting rail. Ensure that the mounting rail is centered on the bed of the vehicle. This will position the rail in the correct location and ensure that the 5<sup>th</sup> wheel will have a snug fit to the truck. **Note: If more than one hitch product will be used with the mounting rails then both types should be used at the same time to align the rearward mounting rail. This will ensure that one product does not compromise the fit of the other.**
9. Repeat installation steps 3, 5 and 7.
10. Starting with the carriage bolts that fasten the rails the frame bracket, torque all the nuts.  
Torque the 1/2" fasteners to 75 (ft.-lb.) 102 (N\*M)  
Torque the 3/4" fasteners to 260 (ft.-lb.) 353 (N\*M)
11. Re-install spare tire.



# Installation Instructions

## CUSTOM QUICK INSTALL

### MOUNTING KIT

Chevrolet/GMC 1500/2500/3500

Part Numbers:

50061

### Position the Rail

