

Installation Instructions

Part Number:

Sidewinder™ Turret

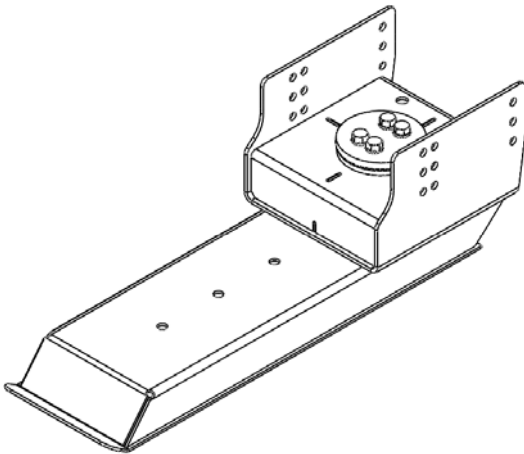
61302

DEALER/INSTALLER:

(1) Provide this Manual to end user

END USER:

- (1) Read and follow this Manual for Sidewinder Turret Installation.
- (2) Save this Manual for Future Reference.
- (3) For Sidewinder Arm Installations, Refer to Arm Installation Manuals.
- (4) Pass on copies of Manual to any other users or owner.



Turret Shown Assembled With Arm

Note: These Instructions Are Only For Installation Of Turret Into Wing Sets.
You Should Refer To The Installation Instructions For Your Sidewinder Arm.

Equipment Required:

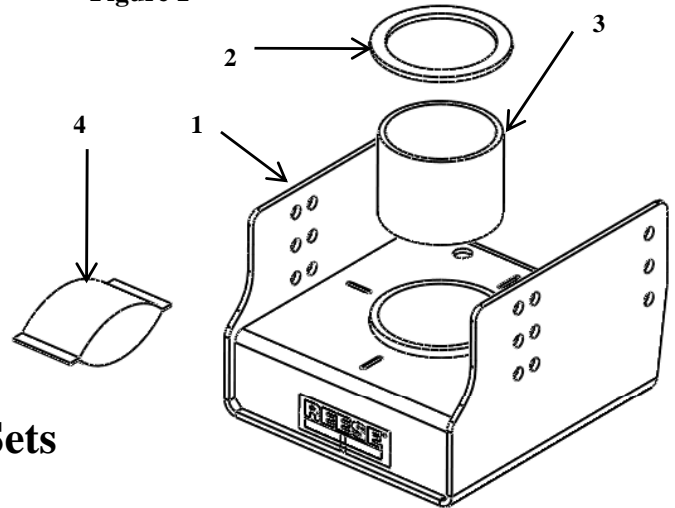
- Fastener Kit:** 61302F
- Wrenches:** 15/16"
- Drill Bits:** Not Required
- Torque Wrench

Do Not Exceed Lower of Towing Vehicle Manufacturer's Rating,
Trailer Manufacturer's Rating or

Max Gross Trailer WT (LB)	Max Pin WT (LB)
16,000 LB	3,200 LB

①	Qty. (1)	Turret 61302 (Formally ST300)
②	Qty. (1)	Upper Wear Plate
③	Qty. (1)	Bushing
④	Qty. (1)	Hardware Kit

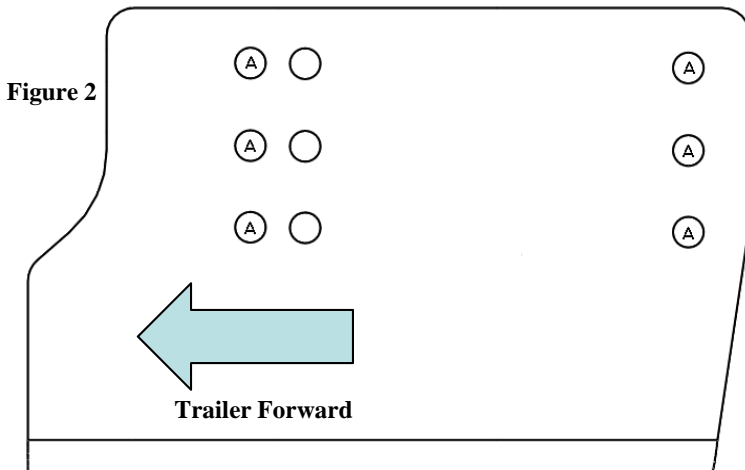
Figure 1



INDEX

- | | |
|-------------------------------------|--------|
| 1. GUIDELINES FOR MATCHING WING SET | P. 1-2 |
| 2. ASSEMBLY INSTRUCTIONS | P. 2 |
| 3. 5 YEAR LIMITED WARRANTY | P. 3 |

Matching Wing Sets



For Wing Set Make and Model Numbers:

Venture CJ13515

Venture CJ13517

Venture CJ20517

M-Tec RVPN1409 (Note Rating)

Use The Bolt Hole Locations Noted By The "A"
The pattern is a 8" horizontal & a 1 1/2" vertical

⚠ WARNING:

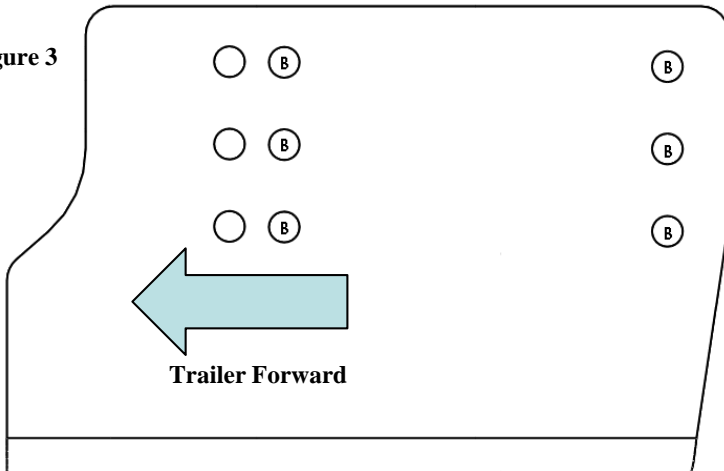
Failure to follow all of these instructions may result in death or serious injury!

Installation Instructions

Sidewinder™ Turret

Matching Wing Sets

Figure 3



For Wing Set Make and Model Numbers:

Dexter 221-0033-00

Dexter 221-0031-00

Use The Bolt Hole Locations Noted By The "B"

The pattern is a 7" horizontal & a 1 1/2" vertical

Typical Bolting

Hardware Kit Contains:

Item#

- 1) (12) 1/2"-13x2 Grade 8 Bolts
- 2) (12) 1/2"-13 Grade 8 Nuts
- 3) (12) 1/2" Flat Washers
- 4) (12) 1/2" Conical Lock Washers

Bolts & Flat Washers Are Installed From The Outside, Conical Lock Washers and Nuts On the Inside.

Torque All To 150 ft. lbs. Install as many bolts as the hole pattern will allow. That should be 5 or 6 per side.

