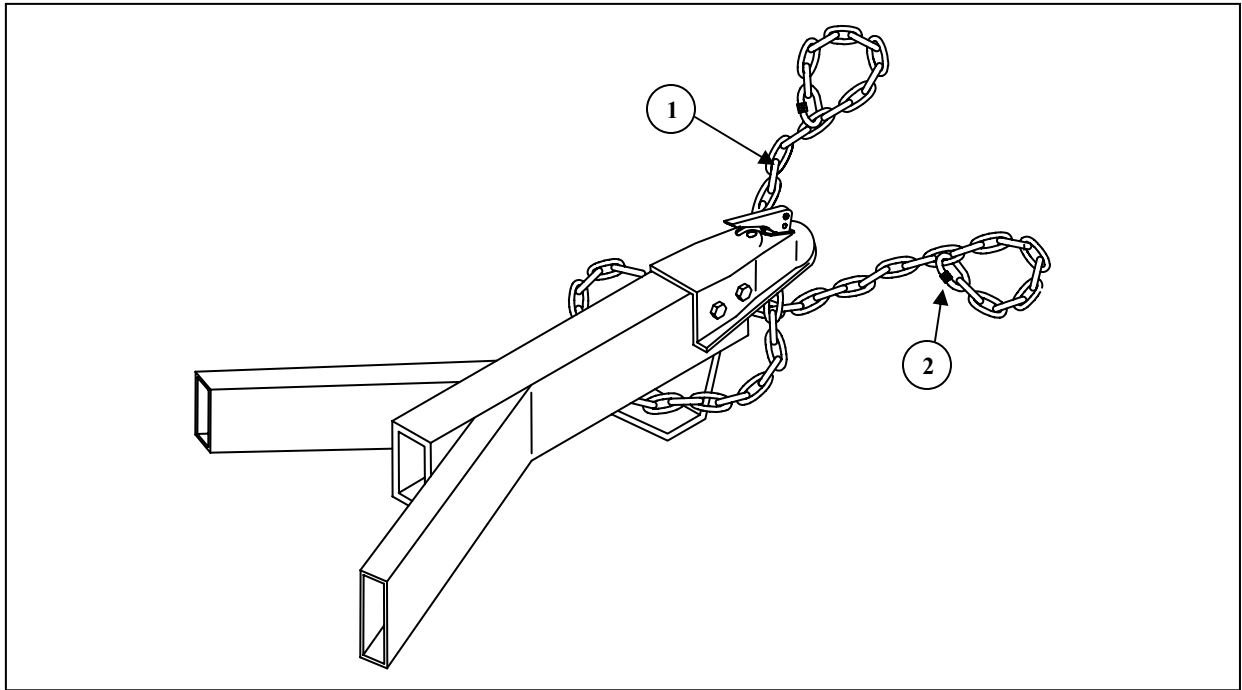


SAFETY CHAIN KIT

63035



ITEM	QTY	DESCRIPTION
1	1	72" SAFETY CHAIN
2	2	5/16" QUICK LINKS

1. CONNECT THE SAFETY CHAIN TO TRAILER.
2. CROSS THE TWO ENDS OF THE CHAIN UNDER THE COUPLER AND CONNECT TO CHAIN BRACKET ON HITCH.
 LOOP THE CHAINS THROUGH THE CHAIN BRACKET AS SHOWN AND CONNECT THE ENDS OF CHAINS USING THE QUICK LINKS PROVIDED WITH KIT. TIGHTEN THE HEX NUT ON QUICK LINKS.
 ALLOW ONLY ENOUGH SLACK TO PERMIT TURNING.

DO NOT CONNECT THE QUICK LINKS DIRECTLY TO THE HITCH CHAIN BRACKET.

Note: check hitch frequently, making sure all fasteners and ball are properly tightened. If hitch is removed, plug all holes in trunk pan or other body panels to prevent entry of water and exhaust fumes. A hitch or ball which has been damaged should be removed and replaced. Observe safety precautions when working beneath a vehicle and wear eye protection. Do not cut access or attachment holes with a torch.

This product complies with safety specifications and requirements for connecting devices and towing systems of the state of New York, V.E.S.C. Regulation V-5 and SAE J684.