

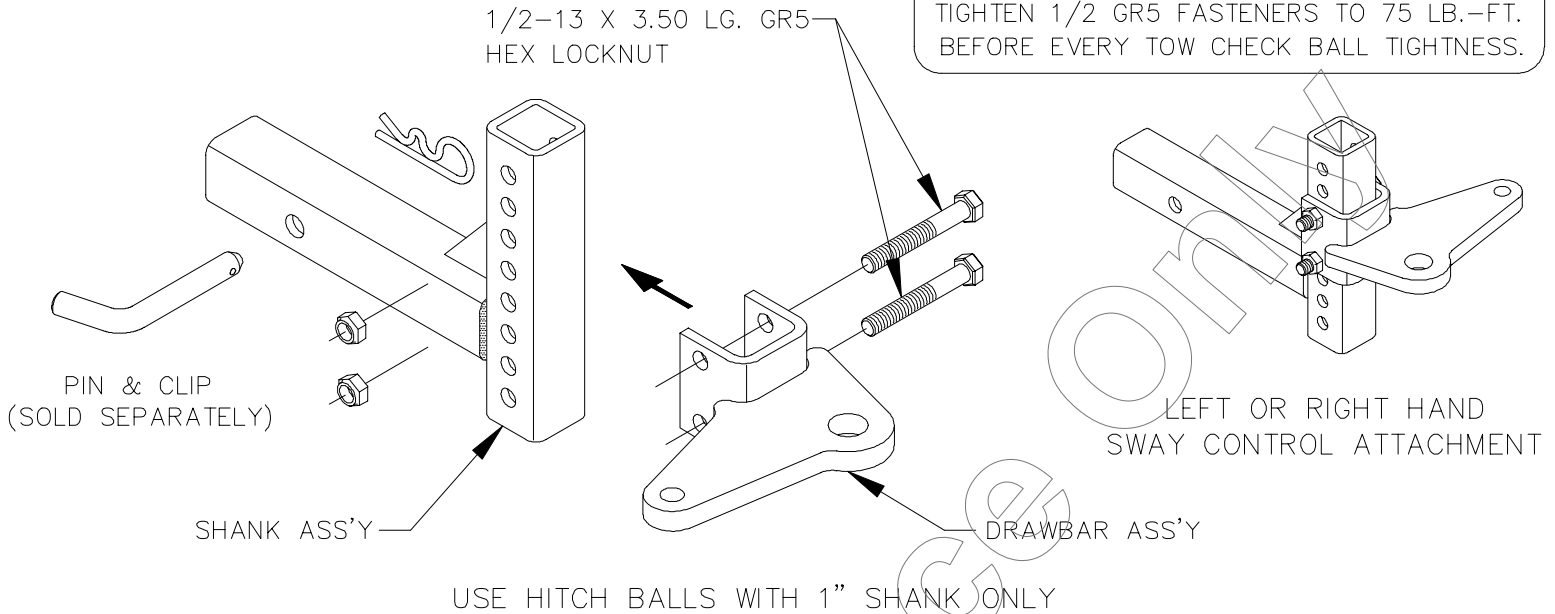
INSTALLATION INSTRUCTIONS

ADJUSTABLE BALL MOUNT

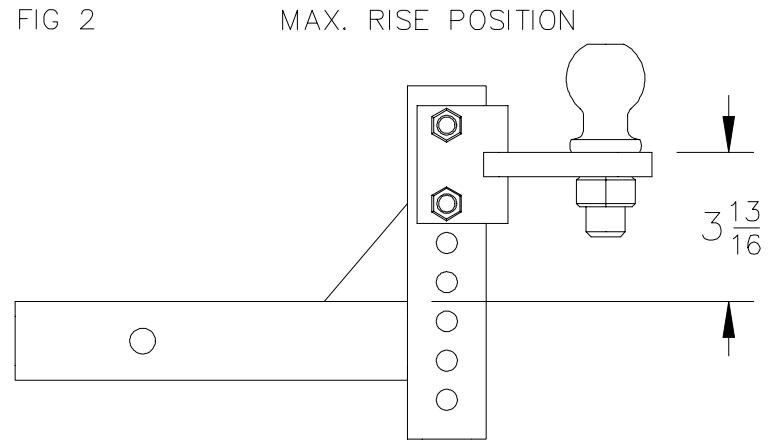
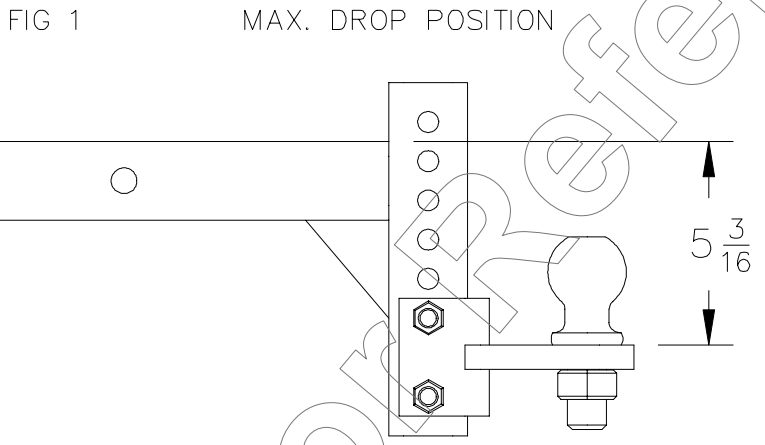
PART NUMBER: 7390



MAX LOADS LOWER OF VEHICLE/RECEIVER SPEC. OR GROSS TRAILER WEIGHT 6000 LB. TONGUE WEIGHT 600 LB. 1" BALL SHANK ONLY. TIGHTEN 1/2 GR5 FASTENERS TO 75 LB.-FT. BEFORE EVERY TOW CHECK BALL TIGHTNESS.



1. INSERT SHANK ASS'Y INTO HITCH RECEIVER AND ATTACH PIN & CLIP (SOLD SEPARATELY).
 2. INSERT BALL MOUNT ASS'Y ONTO THE SHANK ASS'Y, ADJUST TO PROPER HEIGHT AND ATTACH HEX BOLTS AND LOCK NUTS. (NOTE: HEIGHT ADJUSTMENT IS IN INCREMENTS OF ONE (1) INCH).
- NOTE: SEE FIGURE 1 FOR MAXIMUM DROP POSITION AND FIGURE 2 FOR MAXIMUM RISE POSITION. TIGHTEN ALL 1/2-13 GR5 FASTENERS TO 75 LB.-FT.



NOTE: CHECK FOR PROPER BALL MOUNT HEIGHT WITH VEHICLE & TRAILER LOADED FOR TRAVEL. AT PROPER ADJUSTMENT THE TRAILER COUPLER & TONGUE SHOULD BE LEVEL WITH THE GROUND. (SEE FIGURE 3)

