

INSTALLATION INSTRUCTIONS

EQUIPMENT REQUIRED: WIRE

WIRING ACCESS LOCATION: SUV1, SUV2

DRILL BITS: 1/2

HITCH REQUIRES 5/8" PIN AND CLIP IF STABILIZING PIN IS NOT INSTALLED.

WRENCHES: (TIGHTEN ALL FASTENERS WITH TORQUE WRENCH) 7/8

VEHICLE

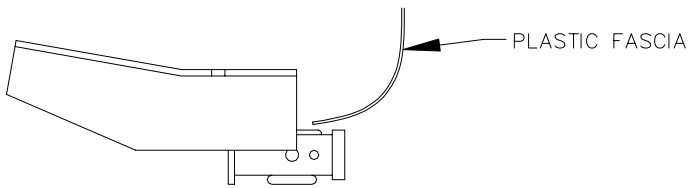
HITCH NO.

FORD WINDSTAR VAN

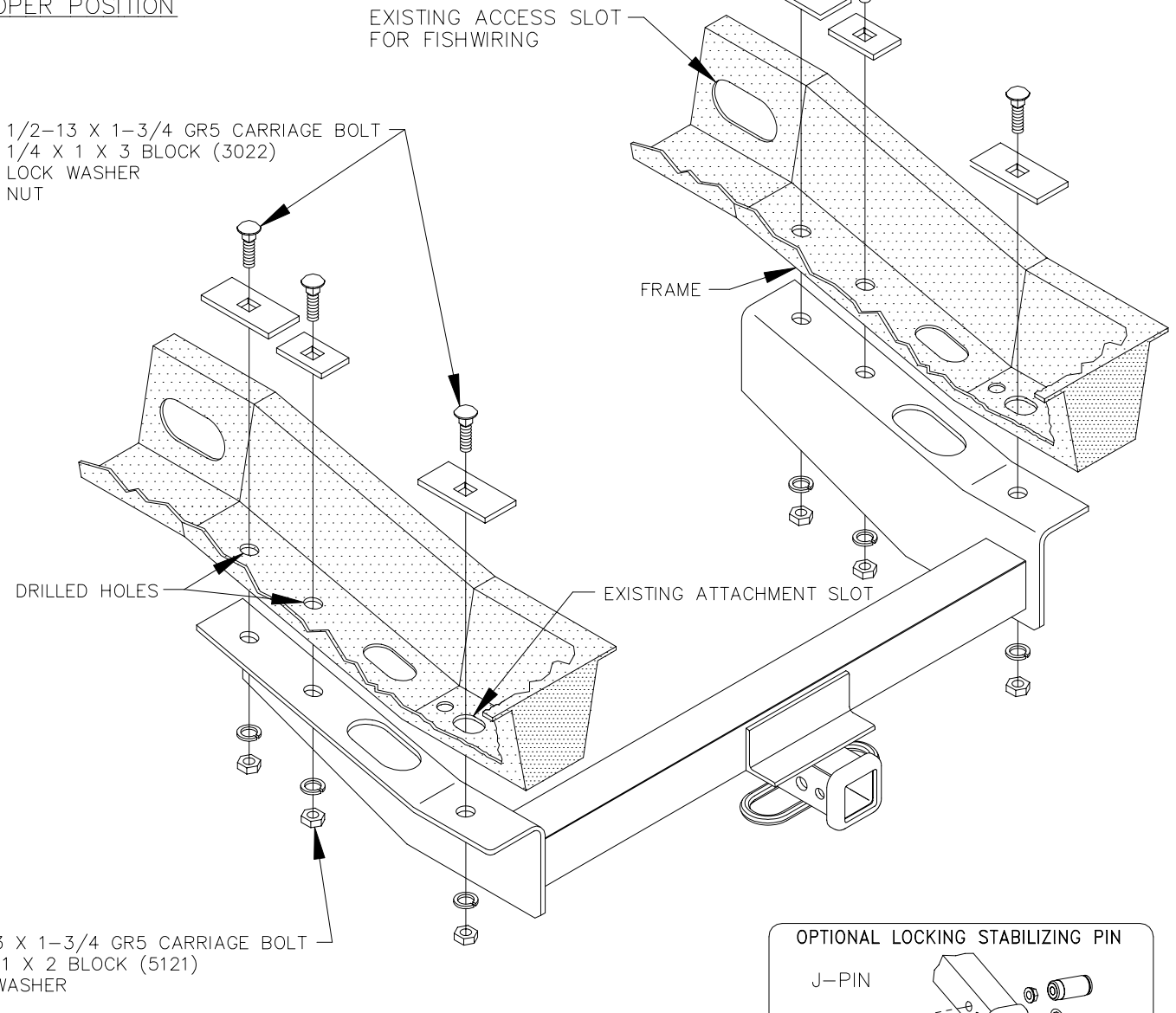
75055
33012

DO NOT EXCEED LOWER OF
TOWING VEHICLE MFR'S RATINGS OR

HITCH TYPE ▼	MAX GROSS TRLR WT(LB)	MAX TONGUE WT(LB)
WEIGHT DISTRIBUTING	5000	500
WEIGHT CARRYING BALL MOUNT	3500	350

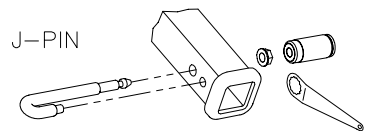


HITCH SHOWN INSTALLED IN
PROPER POSITION



OPTIONAL LOCKING STABILIZING PIN

J-PIN



(Order Separately)

1. FISHWIRE 1/4 X 1 X 3 BLOCK (3022) AND 1/2" CARRIAGE BOLT THROUGH ACCESS SLOT IN FRAME AND DOWN THROUGH EXISTING REARWARD SLOT AS SHOWN ABOVE, EACH SIDE. BLOCK MUST LAY FLAT INSIDE FRAME.
2. RAISE HITCH INTO POSITION AND FASTEN WITH LOCK WASHER AND NUT AS SHOWN ABOVE.
3. USING THE HITCH AS A TEMPLATE, DRILL FOUR (4) 1/2" HOLES FOR FORWARD ATTACHMENTS AS SHOWN ABOVE.
4. FISHWIRE 1/4 X 1 X 2 BLOCK (5121) AND 1/2" CARRIAGE BOLT THROUGH ACCESS SLOT IN FRAME AND DOWN THROUGH CENTER ATTACHMENT HOLE AND HITCH AS SHOWN ABOVE, EACH SIDE. BLOCK MUST LAY FLAT INSIDE FRAME.
5. FISHWIRE 1/4 X 1 X 3 BLOCK (3022) AND 1/2" CARRIAGE BOLT THROUGH ACCESS SLOT IN FRAME AND DOWN THROUGH FORWARD ATTACHMENT HOLE AND HITCH AS SHOWN ABOVE, EACH SIDE. BLOCK MUST LAY FLAT INSIDE FRAME.
6. INSTALL REMAINING LOCK WASHERS AND NUTS AS SHOWN ABOVE.

TIGHTEN 1/2 GR5 FASTENERS TO 75 LB.-FT.

THIS PRODUCT COMPLIES WITH SAFETY SPECIFICATIONS AND REQUIREMENTS FOR CONNECTING DEVICES AND TOWING SYSTEMS OF THE STATE OF NEW YORK AND V.E.S.C. REGULATION V-5.

APPROX WEIGHT (LB.)
37.5

FASTENER KIT
01130-891

NOTE: Check hitch frequently, making sure all fasteners and ball are properly tightened. If hitch is removed, plug all holes in trunk pan or other body panels to prevent entry of water and exhaust fumes. A hitch or ball which has been damaged should be removed and replaced. Observe safety precautions when working beneath a vehicle and wear eye protection. Follow car maker's specs for maximum trailer weight and tongue weight. Do not cut access or attachment holes with a torch.

TOWING PRODUCTS

Plymouth, Michigan