

# INSTALLATION INSTRUCTIONS

EQUIPMENT REQUIRED:

WIRING ACCESS LOCATION: SUV1, SUV2

DRILL BITS:

HITCH REQUIRES 5/8" PIN AND CLIP IF STABILIZING PIN IS NOT INSTALLED.

WRENCHES: (TIGHTEN ALL FASTENERS WITH TORQUE WRENCH) 17mm

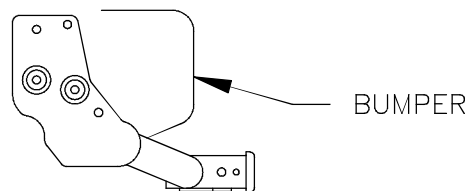
VEHICLE

HITCH NO.

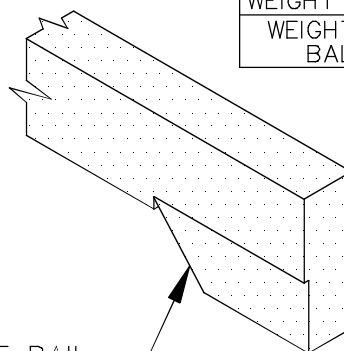
NISSAN PATHFINDER  
INFINITI QX475077  
44730  
UHI 78141  
70609

DO NOT EXCEED LOWER OF  
TOWING VEHICLE MFR'S RATINGS OR

HITCH TYPE ▼	MAX GROSS TRLR WT(LB)	MAX TONGUE WT(LB)
WEIGHT DISTRIBUTING	5500	550
WEIGHT CARRYING BALL MOUNT	5000	500
	Accessory rating	C

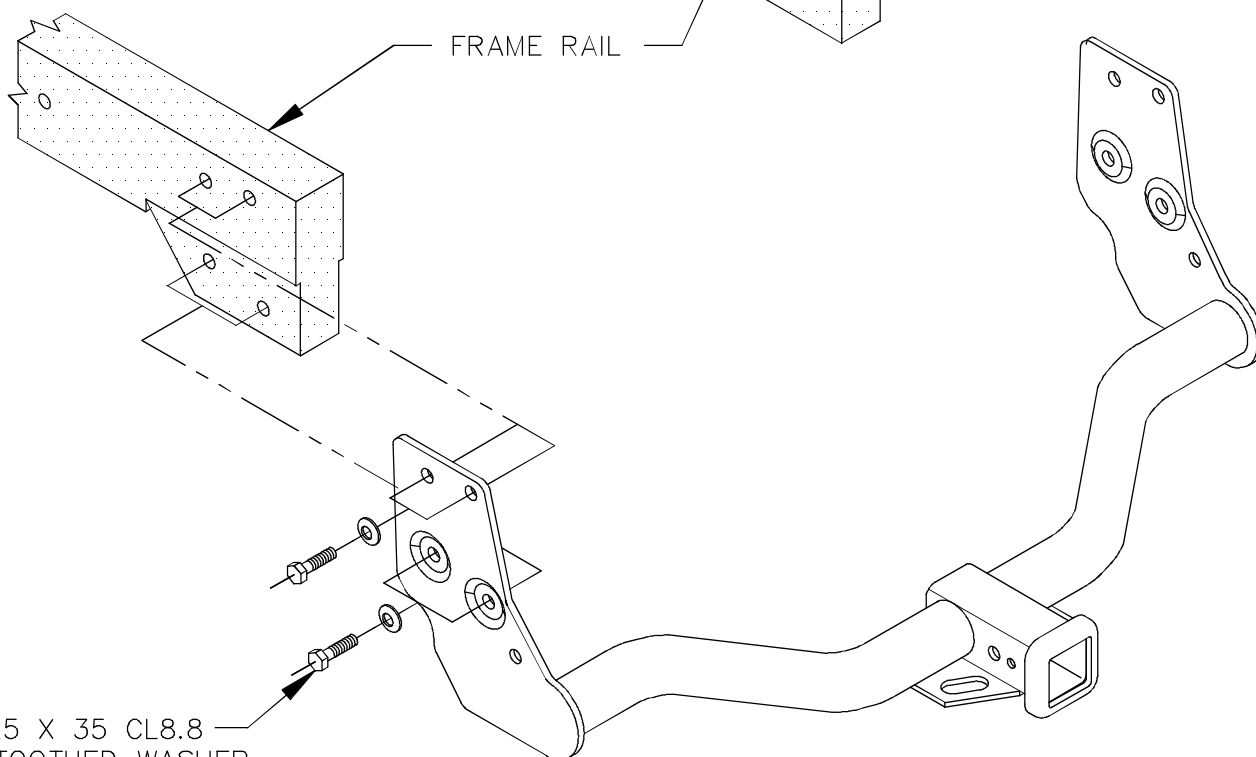


BUMPER



FRAME RAIL

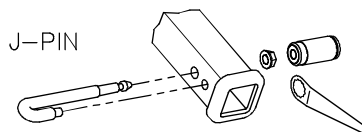
HITCH SHOWN IN PROPER POSITION



M12 X 1.25 X 35 CL8.8  
CONICAL TOOTHED WASHER  
(8 PLACES)

OPTIONAL LOCKING STABILIZING PIN

J-PIN



(Order Separately)

1. REMOVE TOW HOOKS FROM EACH FRAME RAIL.
2. RAISE HITCH INTO POSITION AND INSERT FASTENERS AS SHOWN ABOVE.
3. RETURN FASTENERS AND TOW HOOKS TO VEHICLE OWNER.

TIGHTEN ALL M12 CL8.8 FASTENERS TO 68 LB-FT.

THIS PRODUCT COMPLIES WITH SAFETY SPECIFICATIONS AND REQUIREMENTS FOR CONNECTING DEVICES AND TOWING SYSTEMS OF THE STATE OF NEW YORK AND V.E.S.C. REGULATION V-5.

APPROX WEIGHT (LB.)

FASTENER KIT

31

01130-957

NOTE: Check hitch frequently, making sure all fasteners and ball are properly tightened. If hitch is removed, plug all holes in trunk pan or other body panels to prevent entry of water and exhaust fumes. A hitch or ball which has been damaged should be removed and replaced. Observe safety precautions when working beneath a vehicle and wear eye protection. Follow car maker's specs for maximum trailer weight and tongue weight. Do not cut access or attachment holes with a torch.



**CEQUENT**  
PERFORMANCE PRODUCTS

Plymouth, Michigan

REV: C