

INSTALLATION INSTRUCTIONS

EQUIPMENT REQUIRED:

WIRING ACCESS LOCATION: SUV1, SUV2

DRILL BITS: NONE

HITCH REQUIRES 5/8" PIN AND CLIP IF STABILIZING PIN IS NOT INSTALLED.

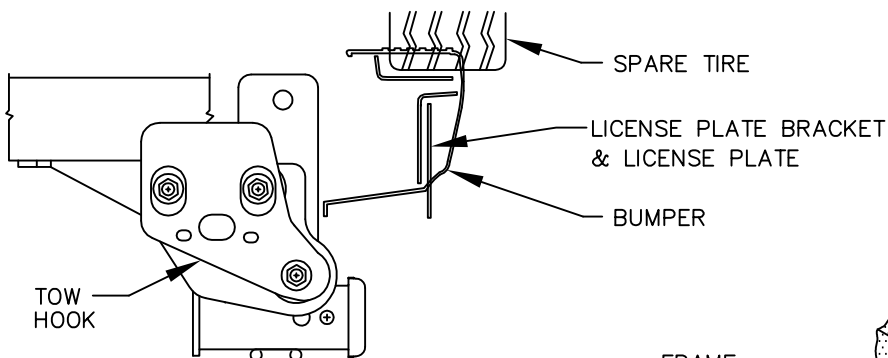
WRENCHES: (TIGHTEN ALL FASTENERS WITH TORQUE WRENCH) 19mm, 7/8, 15/16

VEHICLE

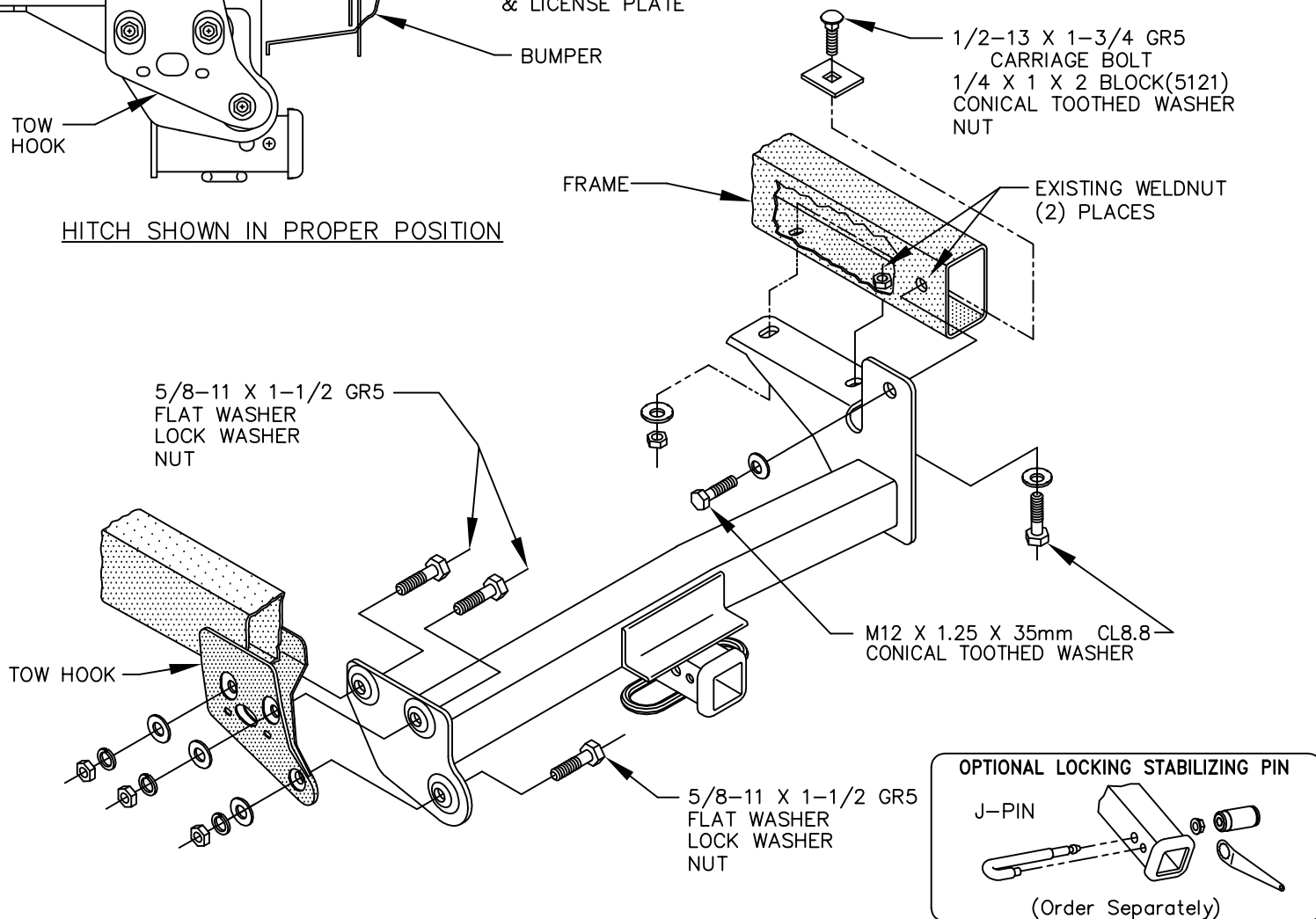
ISUZU RODEO
 HONDA PASSPORT
 (FOR MODELS WITH TAILGATE
 MOUNTED SPARE TIRE ONLY)

DO NOT EXCEED LOWER OF
 TOWING VEHICLE MFR'S RATINGS OR

HITCH TYPE ▼	MAX GROSS TRLR WT(LB)	MAX TONGUE WT(LB)
WEIGHT DISTRIBUTING	5000	500
WEIGHT CARRYING BALL MOUNT	3500	350



HITCH SHOWN IN PROPER POSITION



1. POSITION HITCH ON VEHICLE AS SHOWN, ALIGNING HOLES IN HITCH WITH EXISTING WELDNUTS IN VEHICLE FRAME (PASSENGER'S SIDE) AND SLOTS IN TOW HOOK (DRIVER'S SIDE).
2. LOOSELY INSTALL HEX BOLTS AS SHOWN.
3. FISHWIRE CARRIAGE BOLT AND BLOCK (5121) THROUGH END OF FRAME ON PASSENGER'S SIDE AND INSTALL AS SHOWN.

TIGHTEN ALL M12 CL8.8 FASTENERS TO 68 LB.-FT.

TIGHTEN ALL 1/2 GR5 FASTENERS TO 75 LB.-FT.

TIGHTEN ALL 5/8 GR5 FASTENERS TO 150 LB.-FT.

THIS PRODUCT COMPLIES WITH SAFETY SPECIFICATIONS AND REQUIREMENTS FOR CONNECTING DEVICES AND TOWING SYSTEMS OF THE STATE OF NEW YORK, V.E.S.C. REGULATION V-5 AND SAE J684.

APPROX WEIGHT (LB.)	FASTENER KIT
33	1131-028

NOTE: Check hitch frequently, making sure all fasteners and ball are properly tightened. If hitch is removed, plug all holes in trunk pan or other body panels to prevent entry of water and exhaust fumes. A hitch or ball which has been damaged should be removed and replaced. Observe safety precautions when working beneath a vehicle and wear eye protection. Follow car maker's specs for maximum trailer weight and tongue weight. Do not cut access or attachment holes with a torch.

TOWING PRODUCTS
 Plymouth, Michigan

PRINTED IN MEXICO