

INSTALLATION INSTRUCTIONS

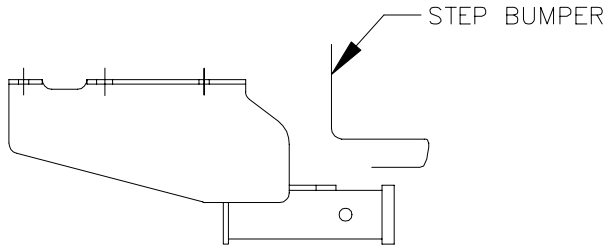
VEHICLE	HITCH NO.
DODGE RAM PICKUP TRUCK	75101

EQUIPMENT REQUIRED:
 WIRING ACCESS LOCATION: PU3 & PU4
 DRILL BITS: NONE

DO NOT EXCEED LOWER OF
 TOWING VEHICLE MFR'S RATINGS OR

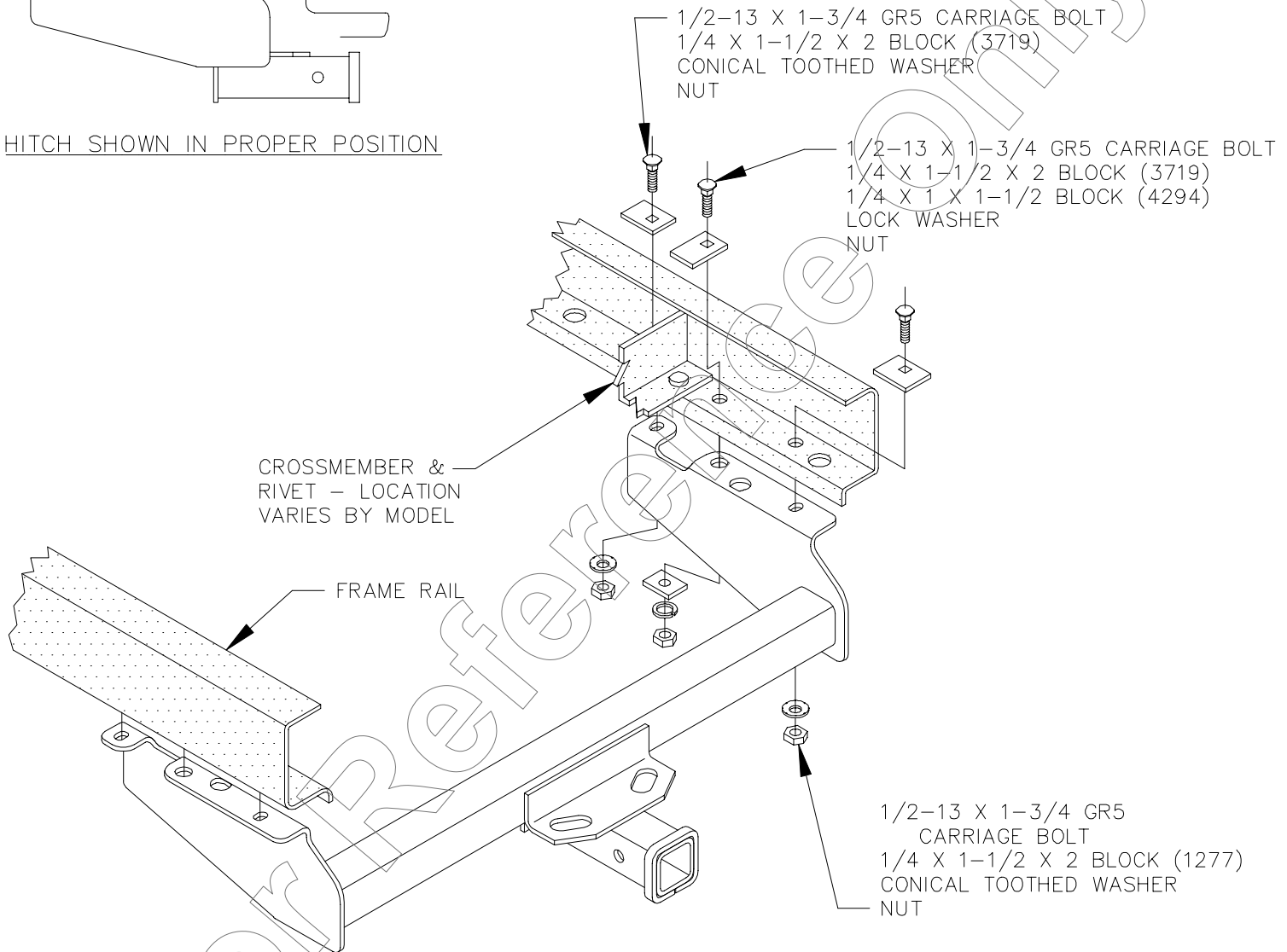
HITCH TYPE ▼	MAX GROSS TRLR WT(LB)	MAX TONGUE WT(LB)
WEIGHT DISTRIBUTING	8000	800
WEIGHT CARRYING BALL MOUNT	5000	500

WRENCHES: (TIGHTEN ALL FASTENERS WITH TORQUE WRENCH) 7/8



HITCH SHOWN IN PROPER POSITION

NOTE: ALL FASTENERS TYPICAL BOTH SIDES OF VEHICLE



USES EXISTING HOLES IN FRAME - NO DRILLING REQUIRED.

1. RAISE HITCH INTO POSITION AND INSTALL FASTENERS AS SHOWN ABOVE.

TIGHTEN ALL 1/2 GR5 FASTENERS TO 75 LB.-FT.

THIS PRODUCT COMPLIES WITH SAFETY SPECIFICATIONS AND REQUIREMENTS FOR CONNECTING DEVICES AND TOWING SYSTEMS OF THE STATE OF NEW YORK AND V.E.S.C. REGULATION V-5.

APPROX WEIGHT (LB.)	37.3	FASTENER KIT NO.	1131-099
---------------------	------	------------------	----------

NOTE: Check hitch frequently, making sure all fasteners and ball are properly tightened. If hitch is removed, plug all holes in trunk pan or other body panels to prevent entry of water and exhaust fumes. A hitch or ball which has been damaged should be removed and replaced. Observe safety precautions when working beneath a vehicle and wear eye protection. Follow car maker's specs for maximum trailer weight and tongue weight. Do not cut access or attachment holes with a torch.

