

# INSTALLATION INSTRUCTIONS

EQUIPMENT REQUIRED: PHILLIPS SCREWDRIVER, PLIERS  
 WIRING ACCESS LOCATION: SUV1, SUV2  
 DRILL BITS: NONE  
 HITCH REQUIRES 5/8" PIN AND CLIP STABILIZING PIN IS NOT INSTALLED.  
 WRENCHES: (TIGHTEN ALL FASTENERS WITH TORQUE WRENCH) 15mm, 3/4, 17mm

VEHICLE	HITCH NO.
PONTIAC AZTEK – ALL MODELS	75138
BUICK RENDEZVOUS – ALL MODELS	44735
	78257 UHAUL

DO NOT EXCEED LOWER OF TOWING VEHICLE MFR'S RATINGS OR

HITCH TYPE	MAX GROSS TRLR WT(LB)	MAX TONGUE WT(LB)
WEIGHT CARRYING BALL MOUNT	3500	350

DO NOT USE WITH WEIGHT-DISTRIBUTING (SPRING BAR TYPE) HITCH.

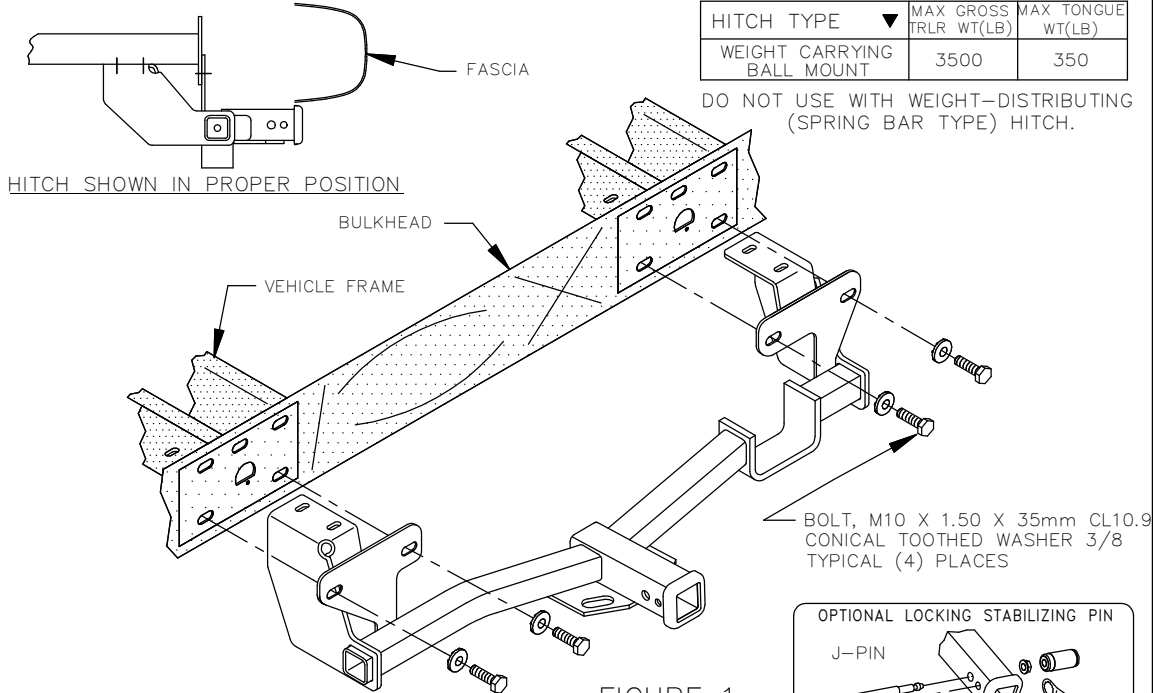


FIGURE 1

- REMOVE REAR FASCIA FROM VEHICLE AS FOLLOWS:
  - AZTEK
    - REMOVE (5) PUSH-IN RETAINING CLIPS FROM UNDERSIDE OF VEHICLE
    - REMOVE (1) PUSH-IN RETAINING CLIP FROM LOWER REAR FLANGE OF WHEEL WELL, EACH SIDE
    - RAISE LIFTGATE AND TAILGATE AND REMOVE (2) PUSH-IN RETAINING CLIPS FROM BEHIND TAILGATE AT TOP EDGE OF FASCIA.
  - RENDEZVOUS
    - REMOVE (5) PUSH-IN RETAINING CLIPS FROM UNDERSIDE OF VEHICLE.
    - REMOVE (3) SCREWS FROM REAR FLANGE OF WHEEL WELL, EACH SIDE.
    - RAISE LIFTGATE AND TAILGATE AND REMOVE (7) FASCIA RETAINING SCREW CLIPS FROM BEHIND TAILGATE AT TOP EDGE OF FASCIA.
- NOTE: IF PRESENT, UNPLUG WIRING CONNECTOR FOR BUMPER MOUNTED BACKING SENSORS.
- REMOVE FOAM ENERGY ABSORBER BY REMOVING (5) PUSH-IN RETAINING CLIPS.
  - NOTE: ON SOME MODELS, FOAM ENERGY ABSORBER IS CONNECTED TO PLASTIC FASCIA AND DOES NOT NEED TO BE SEPARATED.
- REMOVE (4) BOLTS, EACH SIDE, WHICH ATTACH BLACK IMPACT BAR TO VEHICLE, AND DISCARD.
- RAISE HITCH INTO POSITION AND TEMPORARILY ATTACH TO REAR OF VEHICLE WITH M10 X 1.50 X 35mm BOLTS AND 3/8 CONICAL WASHERS PROVIDED WITH HITCH, AS SHOWN IN FIGURE 1. DO NOT TIGHTEN AT THIS TIME.
- INSTALL 1/4 X 1 1/2 X 2 BLOCK (1097-002) AND HANDLE NUT (1332) INTO FRAME RAIL THRU 2" DIA. HOLE IN VEHICLE BULKHEAD, EACH SIDE, AND ALIGN WITH SLOTS IN FRAME RAILS AND HITCH SIDE BRACKETS.
- INSTALL 1/2-13 X 1 1/2" HEX HEAD BOLT AND 1/2 CONICAL TOOTHED WASHER THRU SLOTS IN HITCH SIDE BRACKETS AND INTO HANDLE NUTS, SEE FIGURE 2. DO NOT TIGHTEN AT THIS TIME.
- REMOVE M10 FASTENERS INSTALLED IN STEP 4.
- RAISE BLACK IMPACT BAR INTO POSITION, ALIGNING SLOTS IN IMPACT BAR WITH SLOTS IN HITCH UPRIGHT BRACKETS AND WELDNUTS IN VEHICLE BULKHEAD. ATTACH IMPACT BAR USING (4) 1/4 X 1 1/2 X 7 1/2 REINFORCEMENT BARS (7111) AND (8) M10 X 1.50 X 35mm CL10.9 BOLTS AND 3/8 CONICAL WASHERS PROVIDED WITH HITCH AS SHOWN IN FIGURE 3.
  - NOTE: INSTALL 1/4 X 1 1/2 X 7 1/2 REINFORCEMENT BAR (7111) BETWEEN BULKHEAD AND BLACK IMPACT BAR TO ACT AS A SPACER AT UPPER HOLE LOCATION, BOTH SIDES. INSTALL REINFORCEMENT BAR BETWEEN IMPACT BAR AND BOLT AT LOWER HOLE LOCATION, BOTH SIDES. SEE FIGURE 3 FOR PROPER ORIENTATION.
- REATTACH FOAM ENERGY ABSORBER.
- PLUG IN WIRING CONNECTOR, IF PRESENT, AND REATTACH FASCIA.

TIGHTEN M10 CL10.9 FASTENERS TO 42 LB-FT.  
 TIGHTEN 1/2-13 GR5 FASTENERS TO 75 LB-FT.

THIS PRODUCT COMPLIES WITH SAFETY SPECIFICATIONS AND REQUIREMENTS FOR CONNECTING DEVICES AND TOWING SYSTEMS OF THE STATE OF NEW YORK AND V.E.S.C. REGULATION V-5.

APPROX WEIGHT (LB.)	FASTENER KIT
38	F75138

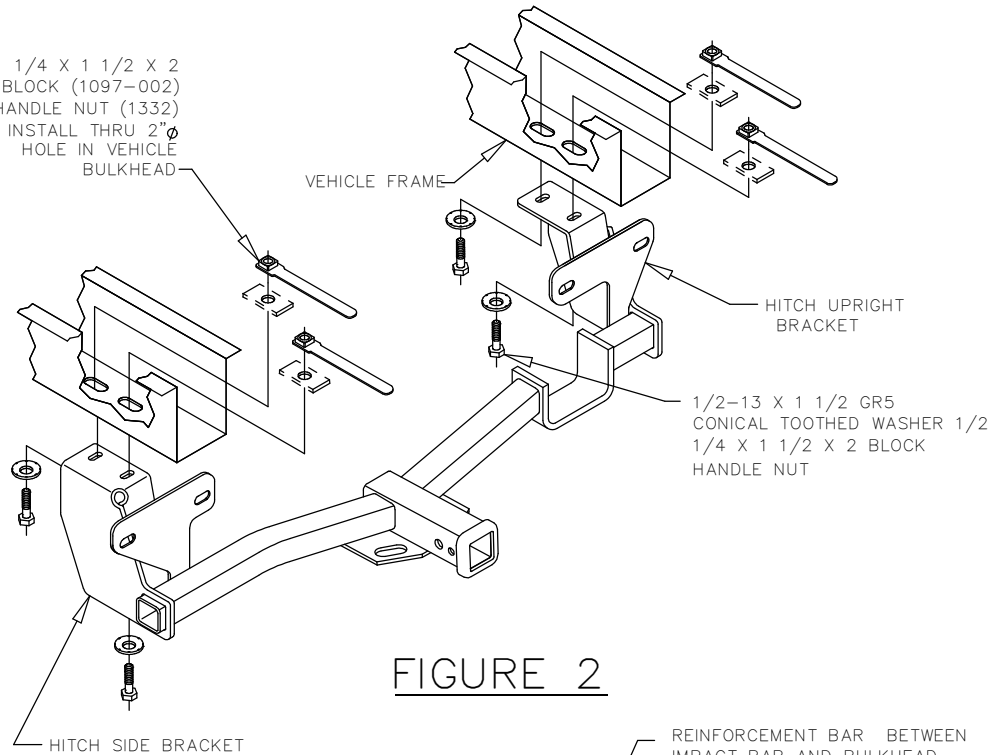
NOTE: Check hitch frequently, making sure all fasteners and ball are properly tightened. If hitch is removed, plug all holes in trunk pan or other body panels to prevent entry of water and exhaust fumes. A hitch or ball which has been damaged should be removed and replaced. Observe safety precautions when working beneath a vehicle and wear eye protection. Follow car maker's specs for maximum trailer weight and tongue weight. Do not cut access or attachment holes with a torch.



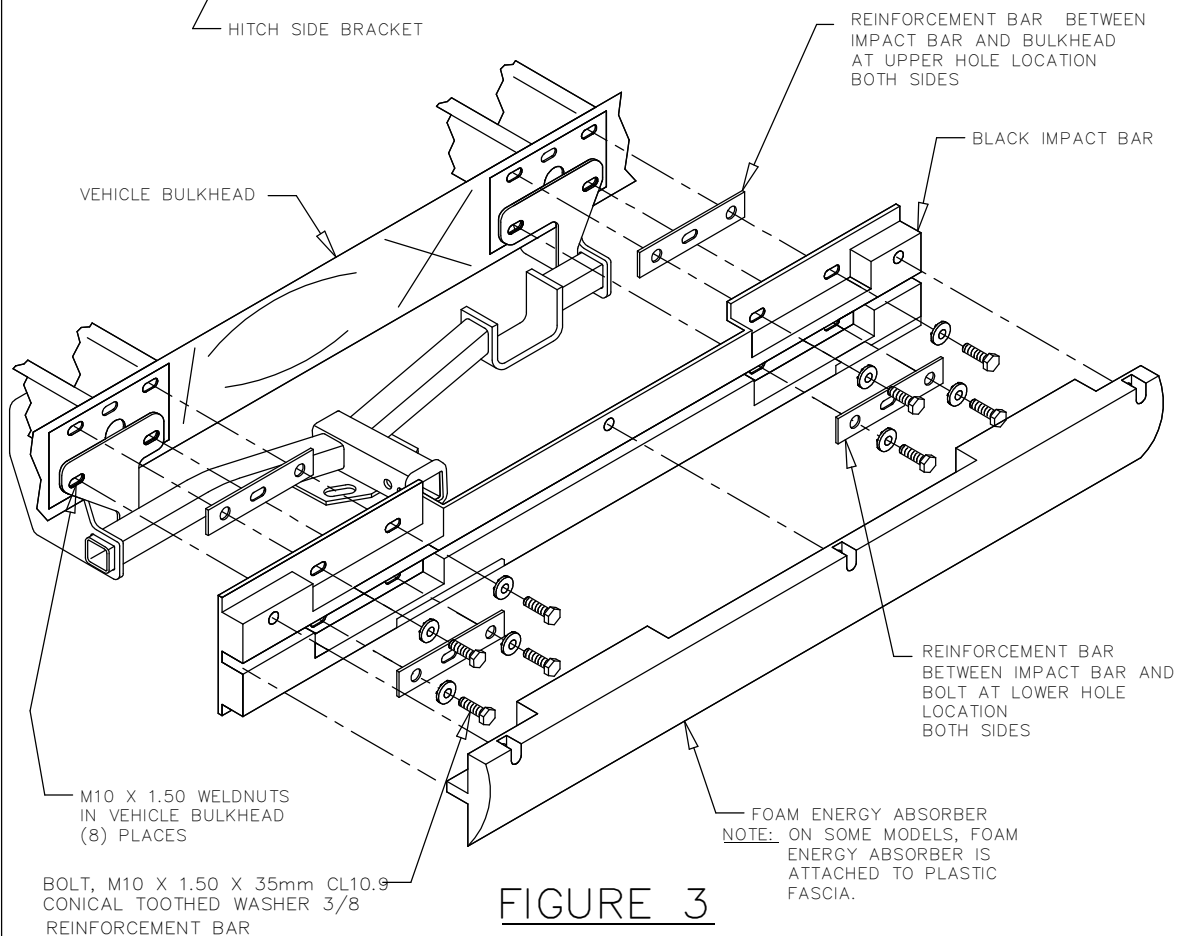
# INSTALLATION INSTRUCTIONS

VEHICLE	HITCH NO.
PONTIAC AZTEK – ALL MODELS	75138
BUICK RENDEZVOUS – ALL MODELS	44735
	78257 UHAUL

1/4 X 1 1/2 X 2  
BLOCK (1097-002)  
HANDLE NUT (1332)  
INSTALL THRU 2" Ø  
HOLE IN VEHICLE  
BULKHEAD



**FIGURE 2**



**FIGURE 3**

THIS PRODUCT COMPLIES WITH SAFETY SPECIFICATIONS AND REQUIREMENTS FOR CONNECTING DEVICES AND TOWING SYSTEMS OF THE STATE OF NEW YORK AND V.E.S.C. REGULATION V-5.

APPROX WEIGHT (LB.)	FASTENER KIT
38	F75138

NOTE: Check hitch frequently, making sure all fasteners and ball are properly tightened. If hitch is removed, plug all holes in trunk pan or other body panels to prevent entry of water and exhaust fumes. A hitch or ball which has been damaged should be removed and replaced. Observe safety precautions when working beneath a vehicle and wear eye protection. Follow car maker's specs for maximum trailer weight and tongue weight. Do not cut access or attachment holes with a torch.



PRINTED IN MEXICO