

INSTALLATION INSTRUCTIONS

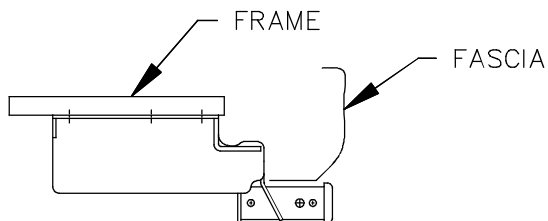
EQUIPMENT REQUIRED: NONE

WIRING ACCESS LOCATION: SUV1, SUV2

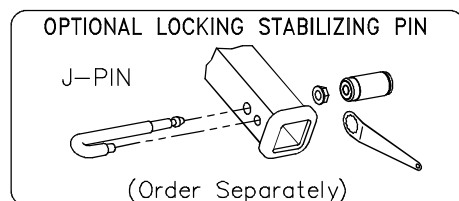
DRILL BITS: NONE

HITCH REQUIRES 5/8" PIN AND CLIP IF STABILIZING PIN IS NOT INSTALLED.

WRENCHES: (TIGHTEN ALL FASTENERS WITH TORQUE WRENCH) SCREWDRIVER, 10mm, 12mm, 13mm & 19mm



HITCH SHOWN IN PROPER POSITION

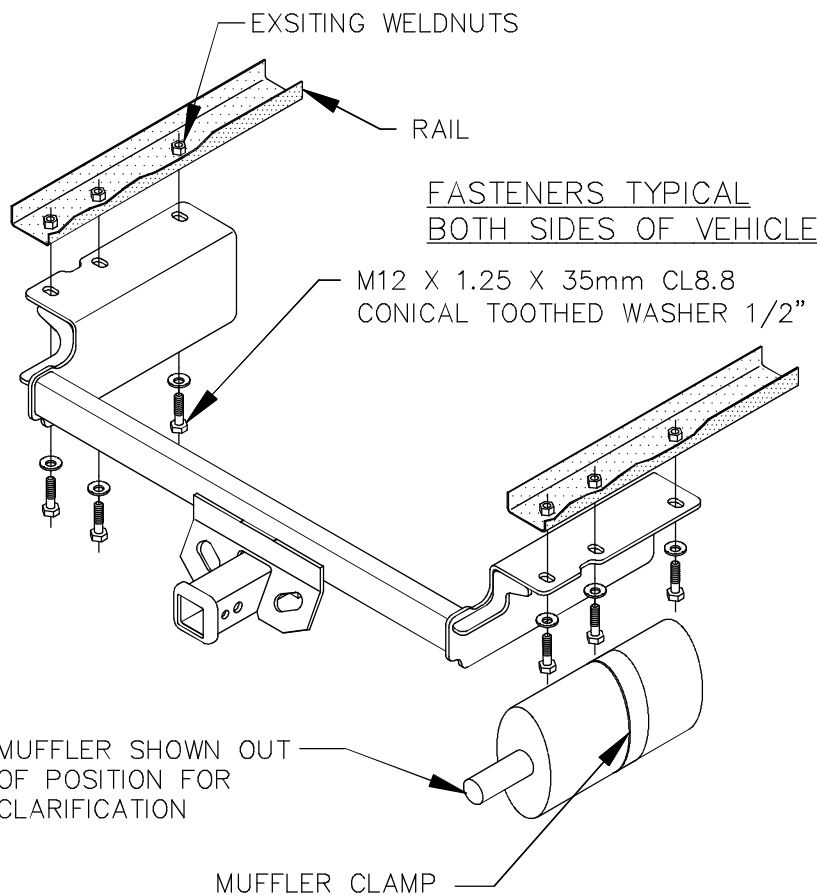


VEHICLE

NISSAN QUEST

DO NOT EXCEED LOWER OF
TOWING VEHICLE MFR'S RATINGS OR

HITCH TYPE ▼	MAX GROSS TRLR WT(LB)	MAX TONGUE WT(LB)
WEIGHT DISTRIBUTING	5000	500
WEIGHT CARRYING BALL MOUNT	3500	350



1. REMOVE THE (2) PLASTIC RIVETS THAT FASTEN THE FASCIA TABS TO THE VEHICLE. NOTE: REMOVE THE CENTER OF THE RIVET WITH A SCREWDRIVER. RIVETS TO BE REINSTALLED.
2. LOWER THE EXHAUST BY REMOVING BOLT ON THE CLAMP AROUND THE CENTER OF THE MUFFLER.
3. REMOVE THE GROUND STRAP FROM THE MUFFLER. NUT TO BE REINSTALLED.
4. REMOVE THE TWO SCREWS THAT ATTACH THE HEAT SHIELD TO THE FRAME. RETURN THE HEAT SHIELD AND SCREWS TO CUSTOMER.
5. RAISE THE HITCH INTO POSITION.
6. LOOSELY INSTALL THE 12mm HEX BOLTS AND CONICAL TOOTHED WASHERS AS SHOWN. NOTE: POSITION HITCH AS FAR OVER TO THE DRIVER'S SIDE AS POSSIBLE FOR MAXIMUM MUFFLER CLEARANCE.
6. TIGHTEN ALL BOLTS.
TIGHTEN M12 CL8.8 FASTENERS TO 76 LB.-FT.
7. REINSTALL GROUND STRAP.
8. REINSTALL THE MUFFLER.
9. REINSTALL PLASTIC RIVETS TO FASCIA.

THIS PRODUCT COMPLIES WITH SAFETY SPECIFICATIONS AND REQUIREMENTS FOR CONNECTING DEVICES AND TOWING SYSTEMS OF THE STATE OF NEW YORK, V.E.S.C. REGULATION V-5 AND SAE J684.

APPROX WEIGHT (LB.)

46

FASTENER KIT

75159F

NOTE: Check hitch frequently, making sure all fasteners and ball are properly tightened. If hitch is removed, plug all holes in trunk pan or other body panels to prevent entry of water and exhaust fumes. A hitch or ball which has been damaged should be removed and replaced. Observe safety precautions when working beneath a vehicle and wear eye protection. Follow car maker's specs for maximum trailer weight and tongue weight. Do not cut access or attachment holes with a torch.



CEQUENT
PERFORMANCE PRODUCTS

Plymouth, Michigan

PRINTED IN MEXICO