

INSTALLATION INSTRUCTIONS

Product No.

MULTI-FIT PICK-UP

37034

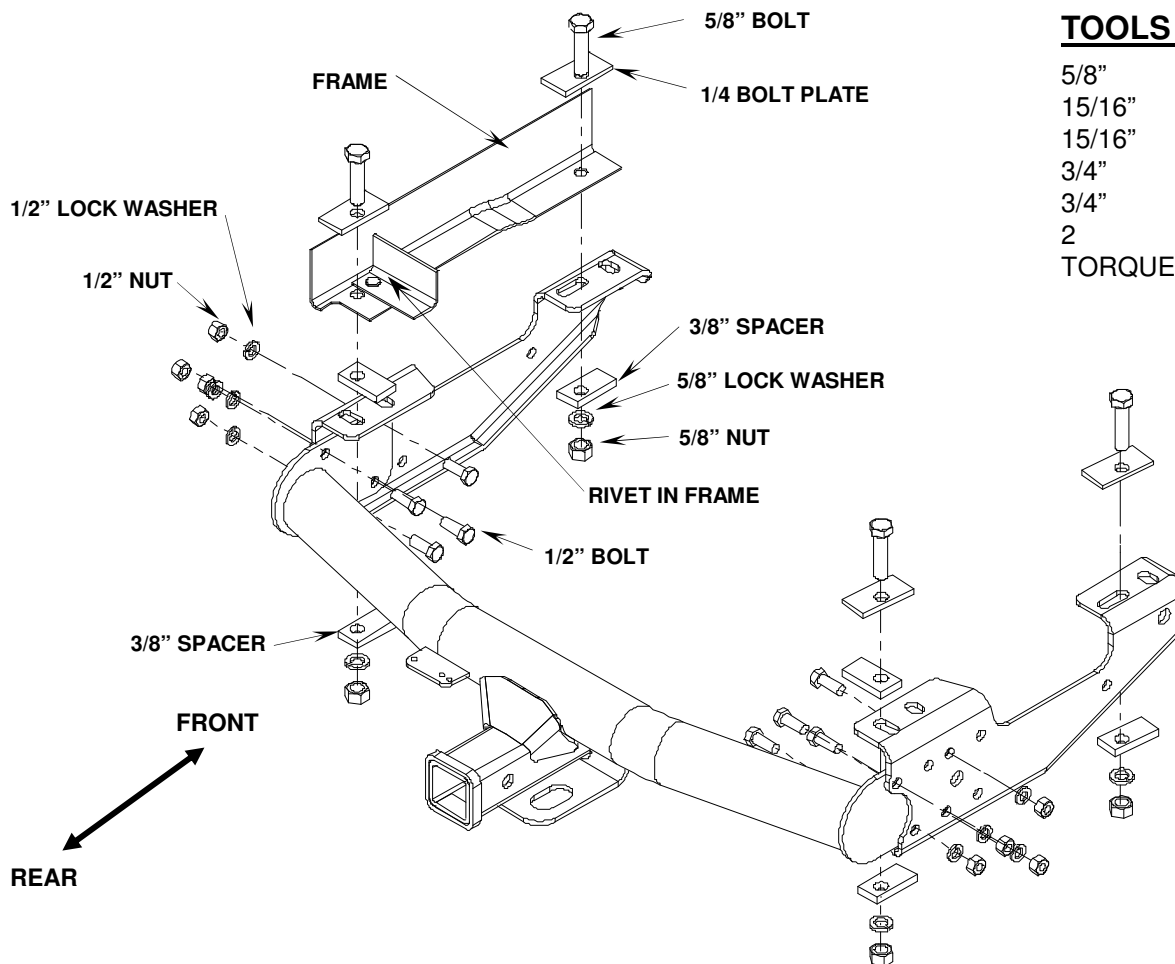
37130

SMALL PARTS
PACKAGE 37424

Cequent Products

WARNING: DO NOT LUBRICATE THREADS, BOLT FAILURE MAY OCCUR DUE TO OVER TIGHTENING.
WARNING: DO NOT DRILL OR WELD TO THIS HITCH.

IMPORTANT NOTES
USE ONLY REESE SUPPLIED OR APPROVED BOLTS, LOCKNUTS, AND WASHERS TO INSTALL THIS HITCH



TOOLS REQUIRED

5/8"	DRILL BIT
15/16"	SOCKET
15/16"	WRENCH
3/4"	SOCKET
3/4"	WRENCH
2	CLAMPS
	TORQUE WRENCH

1973-1996 Ford Full Size Pickup & 1997 F-250 Heavy Duty / F-350 Heavy Duty:

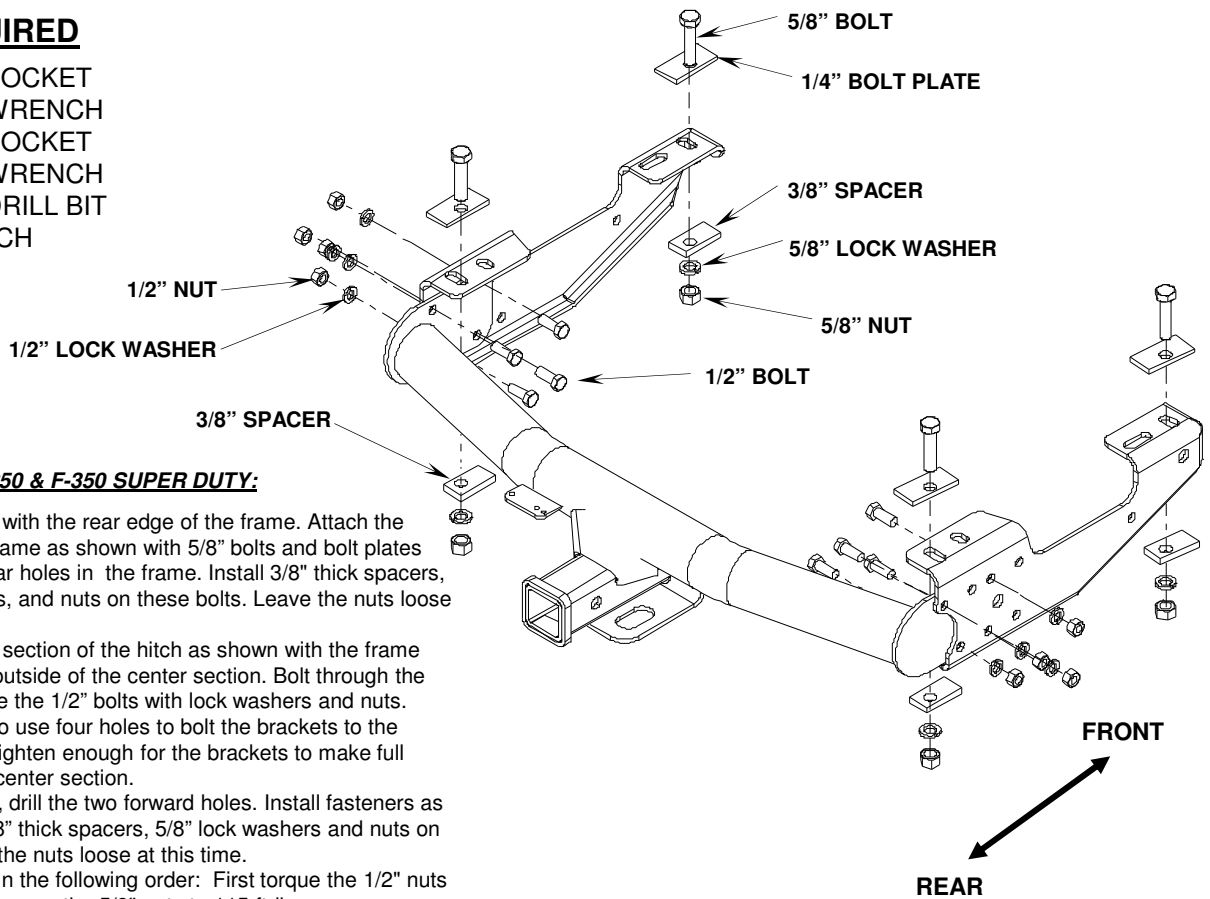
1. Assemble the three pieces of the hitch together on the floor before attaching it to the truck. Using 1/2" bolts, lock washers and nuts, bolt the brackets to the center section as shown. Place the brackets on the outside of the center section. Bolt through the holes shown in the illustration. Leave the bolts loose enough to center brackets on truck frame. **NOTE:** Be sure to use four holes to bolt each bracket to the center section.
2. Clamp the hitch to the frame with a 3/8" thick spacer between the hitch and the frame at the rear. Align the ends of the brackets with the end of the frame as shown.
3. Using the holes in the bracket as a guide, drill 5/8" diameter holes into the frame at the locations shown.
4. Insert 5/8" bolts with bolt plates down through the frame and into the bracket. Place a 3/8" thick spacer between the frame and the bracket at the rear mounting hole. Install a 3/8" thick spacer, lock washer and nut on each bolt.
5. Tighten the nuts in the following order: First torque the 1/2" nuts to 70 ft•lb. Then torque the 5/8" nuts to 115 ft•lb.

NOTE: SIDE BRACKETS WILL DEFLECT WHEN TIGHTENED

For Installation Assistance or Technical Help, See our Web Site at
www.cequentgroup.com or call 1-800-234-6992

TOOLS REQUIRED

15/16"	SOCKET
15/16"	WRENCH
3/4"	SOCKET
3/4"	WRENCH
5/8"	DRILL BIT
	TORQUE WRENCH

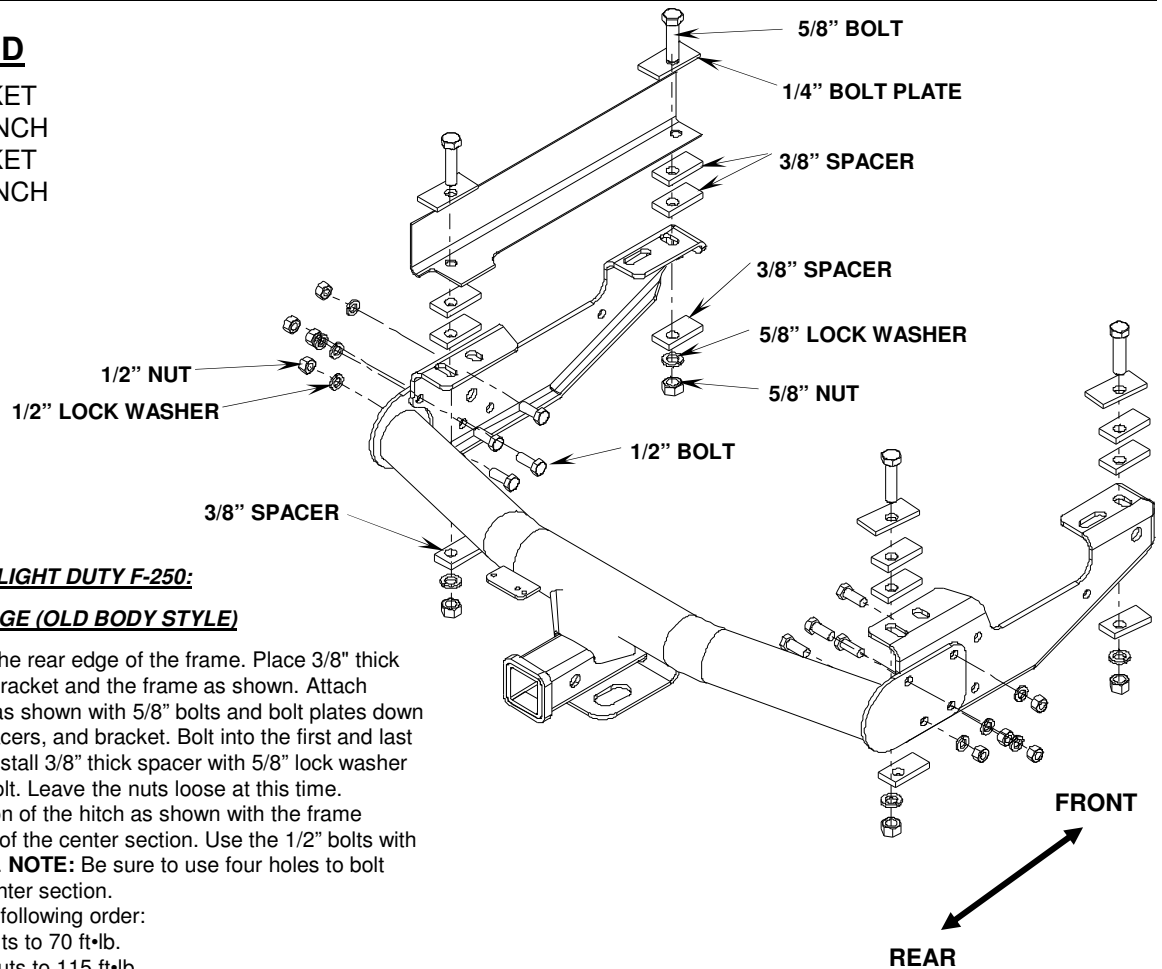


1998-2004 FORD F-250 & F-350 SUPER DUTY:

1. Align the bracket with the rear edge of the frame. Attach the brackets to the frame as shown with 5/8" bolts and bolt plates down through rear holes in the frame. Install 3/8" thick spacers, 5/8" lock washers, and nuts on these bolts. Leave the nuts loose at this time.
2. Install the center section of the hitch as shown with the frame brackets on the outside of the center section. Bolt through the holes shown. Use the 1/2" bolts with lock washers and nuts. **NOTE:** Be sure to use four holes to bolt the brackets to the center section. Tighten enough for the brackets to make full contact with the center section.
3. With the 5/8" drill, drill the two forward holes. Install fasteners as shown. Install 3/8" thick spacers, 5/8" lock washers and nuts on the bolts. Leave the nuts loose at this time.
4. Tighten the nuts in the following order: First torque the 1/2" nuts to 70 ft•lb. Then torque the 5/8" nuts to 115 ft•lb.

TOOLS REQUIRED

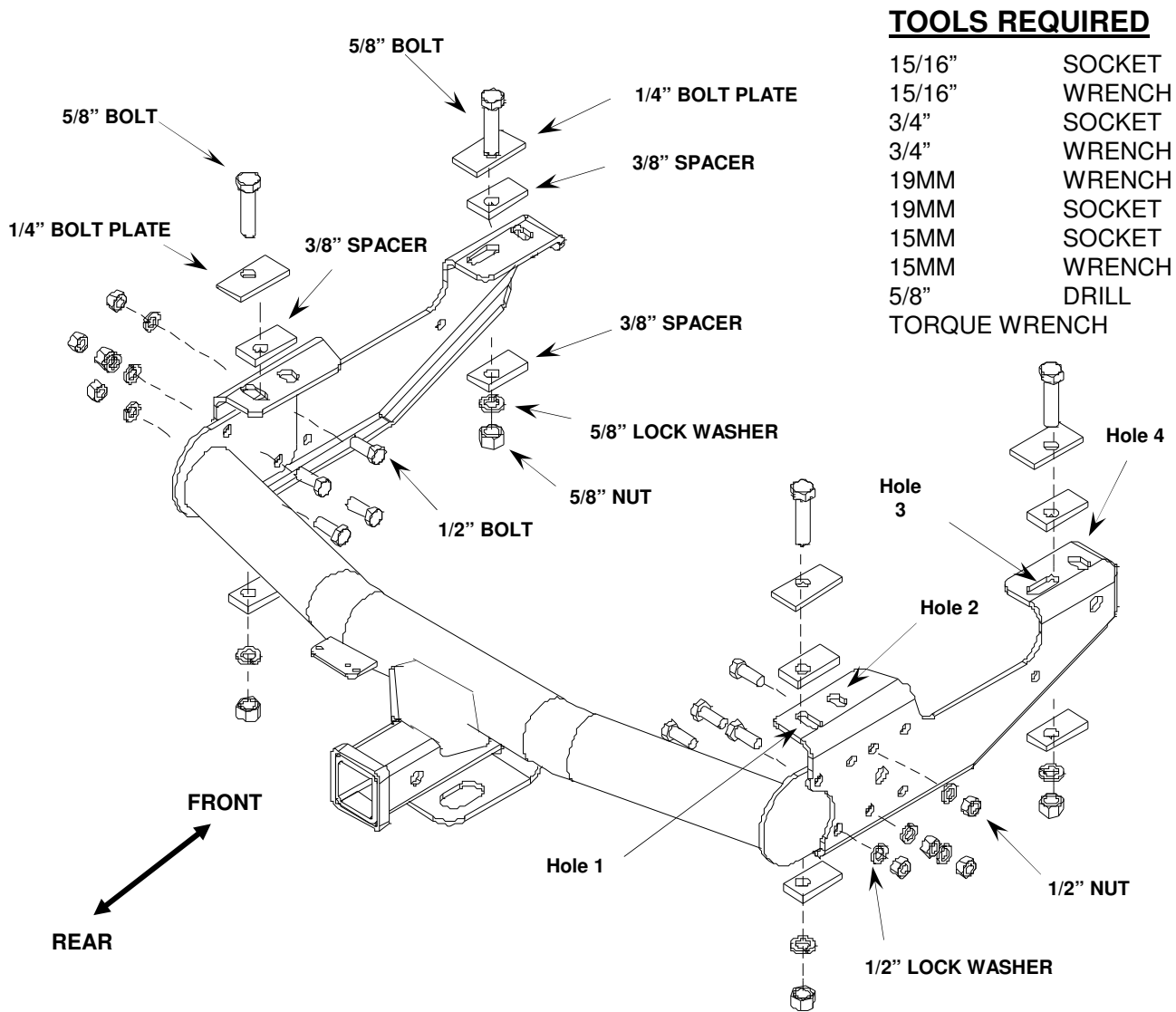
15/16"	SOCKET
15/16"	WRENCH
3/4"	SOCKET
3/4"	WRENCH
	TORQUE WRENCH



1997-2003 FORD F-150 & LIGHT DUTY F-250:

2004 FORD F-150 HERITAGE (OLD BODY STYLE)

1. Align the bracket with the rear edge of the frame. Place 3/8" thick spacers between the bracket and the frame as shown. Attach brackets to the frame as shown with 5/8" bolts and bolt plates down through the frame, spacers, and bracket. Bolt into the first and last holes in the bracket. Install 3/8" thick spacer with 5/8" lock washer and nut on the each bolt. Leave the nuts loose at this time.
2. Install the center section of the hitch as shown with the frame brackets on the inside of the center section. Use the 1/2" bolts with lock washers and nuts. **NOTE:** Be sure to use four holes to bolt each bracket to the center section.
3. Tighten the nuts in the following order: First torque the 1/2" nuts to 70 ft•lb. Then torque the 5/8" nuts to 115 ft•lb.



TOOLS REQUIRED

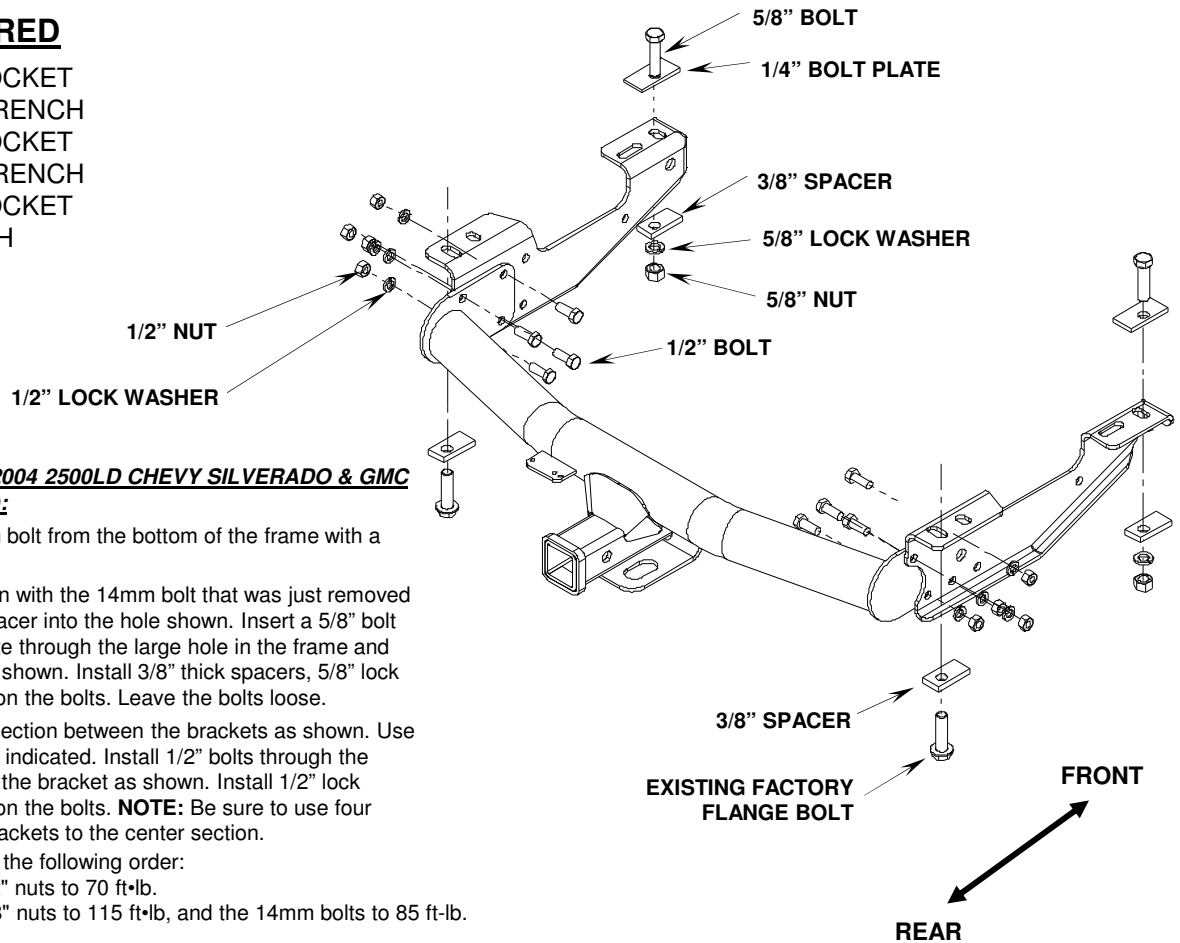
- 15/16" SOCKET
- 15/16" WRENCH
- 3/4" SOCKET
- 3/4" WRENCH
- 19MM WRENCH
- 19MM SOCKET
- 15MM SOCKET
- 15MM WRENCH
- 5/8" DRILL
- TORQUE WRENCH

1988-2000 CHEVY & GMC (CLASSIC):

1. The 12mm diameter bolts and weld nuts at the end of the frame must be removed. (Wear Eye Protection) Method 1) Back out the 12mm diameter bolt halfway. Drive the bolt upward by striking the bolt head with a ball peen hammer to break the nut loose. Ream out the bolt hole to 5/8" diameter. Method 2) Remove the 12mm bolt and discard. Using a 5/8" drill bit, drill out the nut. Then remove the remainder with a hammer and chisel. Some vehicles have an additional 8mm diameter bolt on the passenger's side. Remove the bolt and reinstall it with the head on the bottom of the frame.
2. If your vehicle has rivets on the bottom of the frame or the 8mm bolt, you will need to install one 3/8" thick spacer between the frame and the bracket at each bolting location. These are needed for clearance between the bracket and the rivet head or 8mm bolt. The bracket can not be bolted directly against the rivets or 8mm bolt.
3. Using the supplied hardware, insert 5/8" diameter bolt with bolt plate down through the hole created from the removal of the 12mm nut. Fasten the bracket to the frame. See the illustration. For short bed use hole 2. On long bed use hole 1. NOTE: SOME DUAL PIPE EXHAUST SYSTEMS WILL HIT THE BRACKET. THE EXHAUST WILL NEED TO BE MODIFIED. Attach with 3/8" spacer, 5/8" lock washer, and 5/8" nut.
4. (Short Beds): Insert 5/8" bolts with bolt plates down through the 1" diameter holes in the frame and into holes (4) in the brackets. Install a 3/8" thick spacer, 5/8" lock washer, and nut on each bolt. Leave the nuts loose at this time.
5. (Long Beds): Insert 5/8" bolts with bolt plates down through the 1" diameter holes in the frame and into holes (3) in the brackets. If the forward holes are only 1/2" diameter, use the 5/8" drill bit to enlarge them. Install a 3/8" thick spacer, 5/8" lock washer and nut on each bolt. Leave the nuts loose at this time.
6. Place the center section between the brackets as shown. The spare tire may need to be loosened. Bolt through the center section and the bracket with 1/2" bolts, lock washers and nuts. NOTE: Be sure to use four holes to bolt the brackets to the center section.
7. Tighten the nuts in the following order:
 First torque the 1/2" nuts to 70 ft•lb.
 Then torque the 5/8" nuts to 115 ft•lb.
8. Retighten the spare tire if it was loosened.
9. Be sure that the spare tire is not rubbing against the brake hose. If needed, bend the bracket that the hose mounts to a little so that you have clearance between the tire and the brake hose.

TOOLS REQUIRED

15/16"	SOCKET
15/16"	WRENCH
3/4"	SOCKET
3/4"	WRENCH
21MM	SOCKET
	TORQUE WRENCH

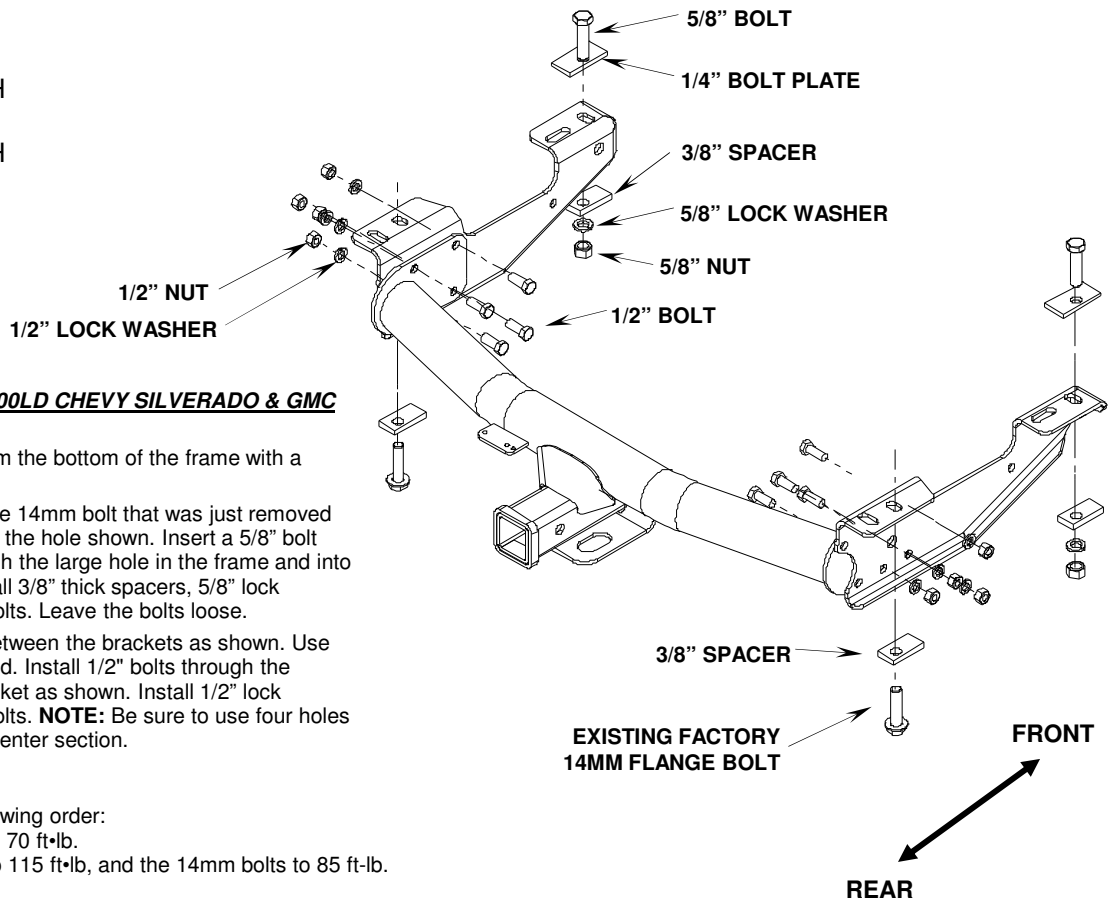


1999-2007 1500, 1999-2004 2500LD CHEVY SILVERADO & GMC SIERRA (LONG BEDS):

1. Remove the 14mm bolt from the bottom of the frame with a 21mm socket.
2. Bolt the brackets on with the 14mm bolt that was just removed and a 3/8" thick spacer into the hole shown. Insert a 5/8" bolt with a 1/4" bolt plate through the large hole in the frame and into the bracket as shown. Install 3/8" thick spacers, 5/8" lock washers and nuts on the bolts. Leave the bolts loose.
3. Install the center section between the brackets as shown. Use the bolting location indicated. Install 1/2" bolts through the center section and the bracket as shown. Install 1/2" lock washers and nuts on the bolts. **NOTE:** Be sure to use four holes to bolt the brackets to the center section.
4. Tighten the nuts in the following order:
First torque the 1/2" nuts to 70 ft•lb.
Then torque the 5/8" nuts to 115 ft•lb, and the 14mm bolts to 85 ft•lb.

TOOLS REQUIRED

15/16"	SOCKET
15/16"	WRENCH
3/4"	SOCKET
3/4"	WRENCH
21MM	SOCKET
	TORQUE WRENCH

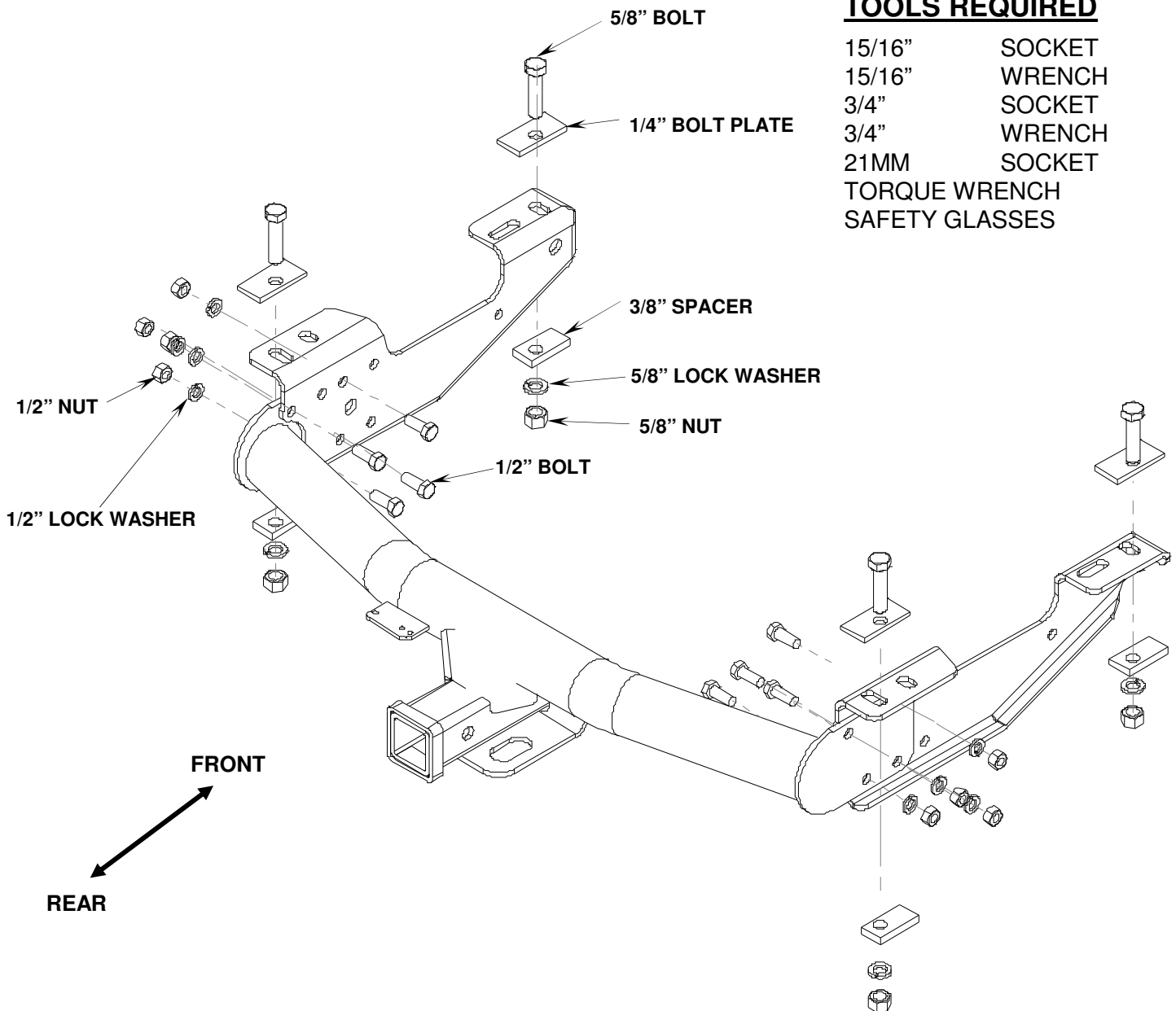


1999-2007 1500, 1999-2004 2500LD CHEVY SILVERADO & GMC SIERRA (SHORT BEDS):

1. Remove the 14mm bolt from the bottom of the frame with a 21mm socket.
2. Bolt the brackets on with the 14mm bolt that was just removed and a 3/8" thick spacer into the hole shown. Insert a 5/8" bolt with a 1/4" bolt plate through the large hole in the frame and into the bracket as shown. Install 3/8" thick spacers, 5/8" lock washers and nuts on the bolts. Leave the bolts loose.
3. Install the center section between the brackets as shown. Use the bolting location indicated. Install 1/2" bolts through the center section and the bracket as shown. Install 1/2" lock washers and nuts on the bolts. **NOTE:** Be sure to use four holes to bolt the brackets to the center section.
4. Tighten the nuts in the following order:
First torque the 1/2" nuts to 70 ft•lb.
Then torque the 5/8" nuts to 115 ft•lb, and the 14mm bolts to 85 ft•lb.

TOOLS REQUIRED

15/16"	SOCKET
15/16"	WRENCH
3/4"	SOCKET
3/4"	WRENCH
21MM	SOCKET
TORQUE WRENCH	
SAFETY GLASSES	



2000-2006 TOYOTA TUNDRA :

1. Ream existing hole at the rear of the frame to accept a 5/8" bolt and install the 5/8" bolts through the bolt plates and into the frame. With the 3/8" spacer, 5/8" lock washer, and 5/8" nut bolt the brackets to the frame. Leave the bolts loose enough to center bracket on frame of truck. Do not install fasteners in the forward hole in the brackets at this time.
2. Install the center section to the brackets as shown. Use the bolting location indicated. Install 1/2" bolts through the center section and the bracket as shown. Install 1/2" lock washers and nuts on the bolts.
3. Using the forward most holes in the brackets as a guide drill a 5/8" hole and install the 5/8" bolts with 1/4" bolt plates through the frame and brackets. Then install the 3/8" spacer, 5/8" lock washer, and 5/8" nuts.

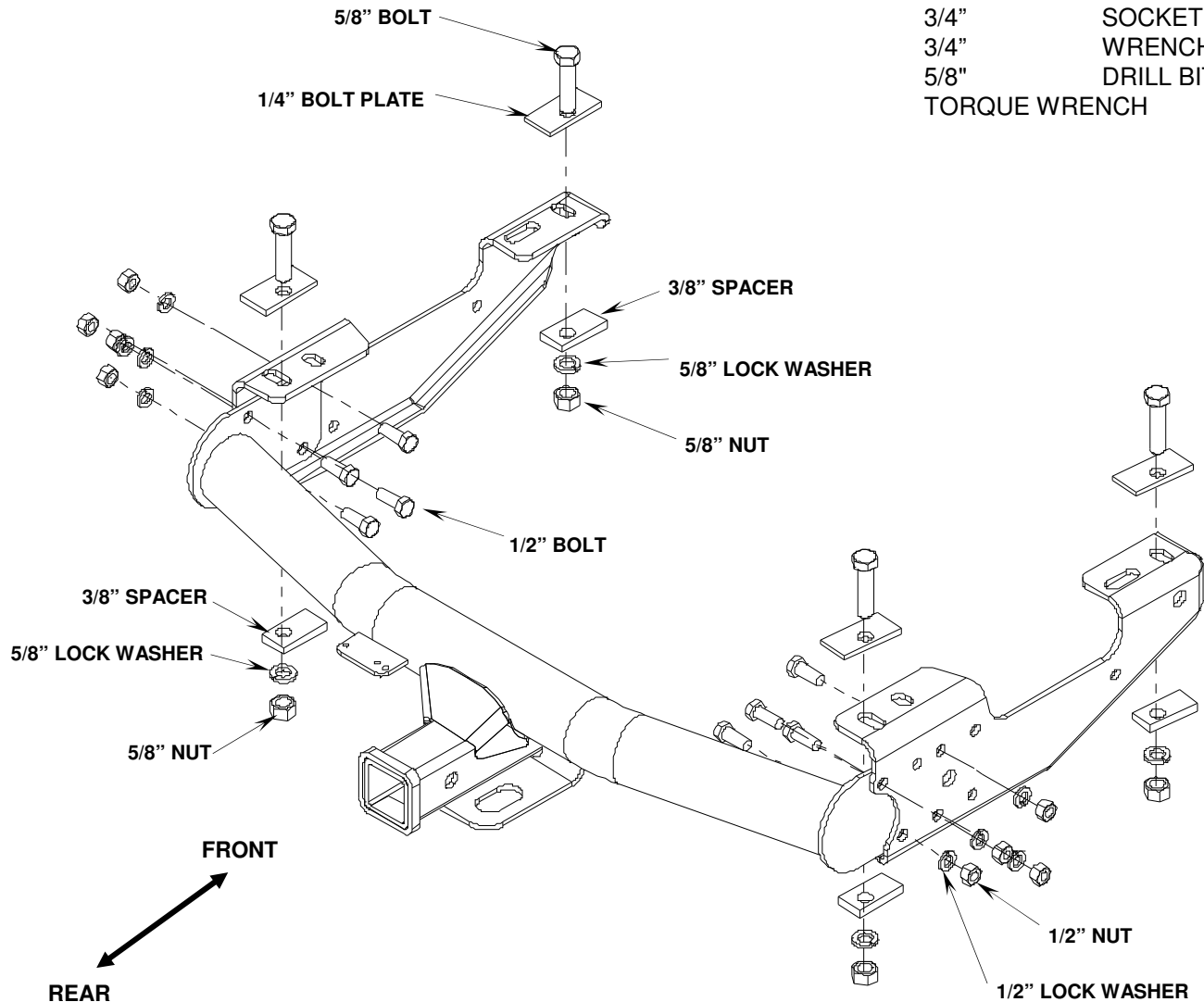
NOTE: Be sure to use four holes to bolt the brackets to the center section.

4. Tighten the nuts in the following order:
First torque the 1/2" nuts to 70 ft•lb.
Then torque the 5/8" nuts to 115 ft•lb.

NOTE: SIDE BRACKETS MAY DEFLECT WHEN TIGHTENED

TOOLS REQUIRED

15/16"	SOCKET
15/16"	WRENCH
3/4"	SOCKET
3/4"	WRENCH
5/8"	DRILL BIT
	TORQUE WRENCH



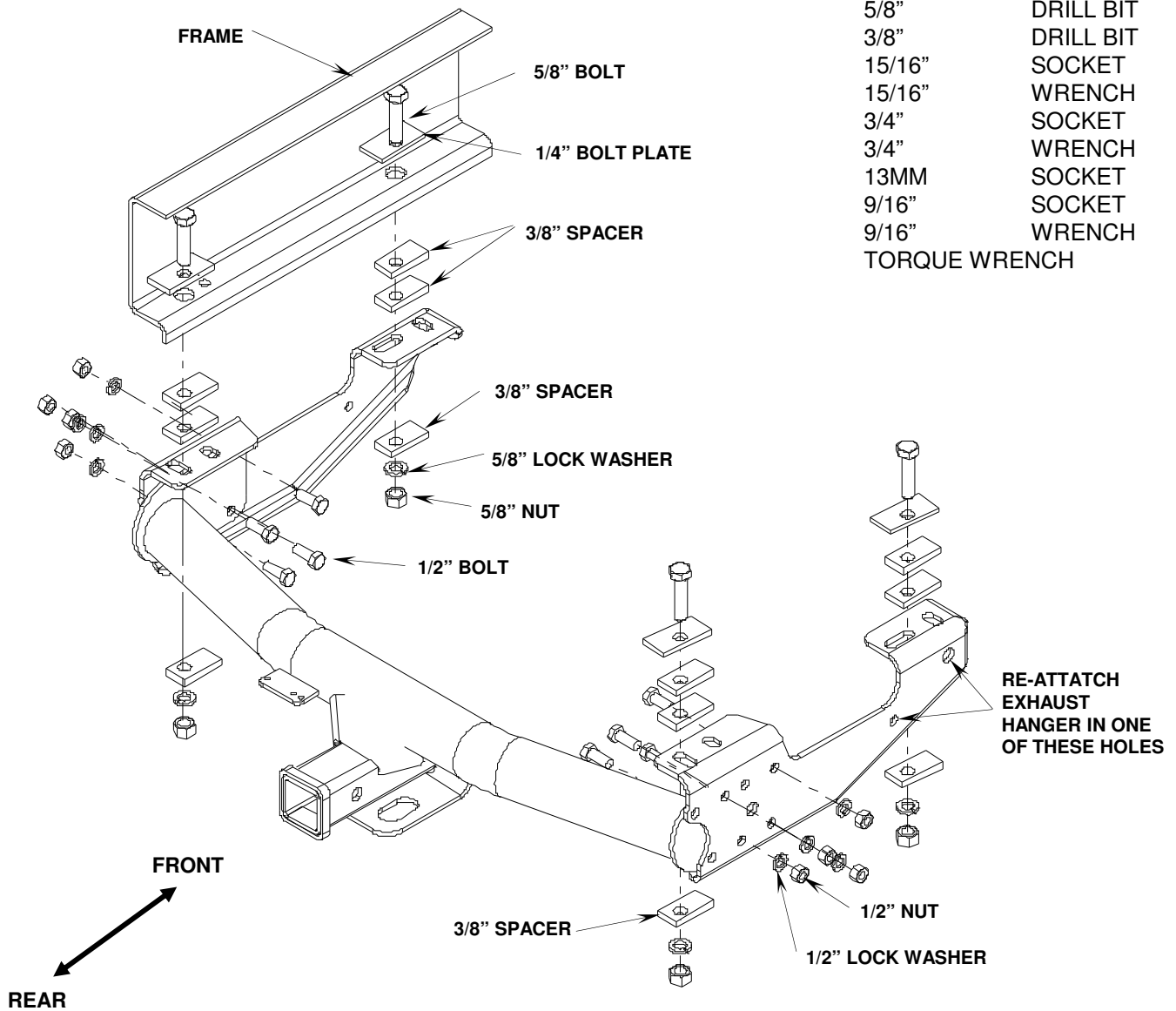
1971-1993 Dodge Pick Up:

1. Insert a 5/8" bolt with a 1/4" bolt plate down through the 1" diameter hole at the end of the frame. Do this on both sides. Fasten the frame brackets as shown, to the frame with 3/8" thick spacers, lock washers and nuts. Leave the bolts loose enough to center bracket on frame of truck.
2. Install the center section between the brackets as shown. Bolt through the center section and the brackets with 1/2" bolts, lock washers and nuts. Use the holes shown. Leave the nuts finger tight at this time. Some spare tire carriers may need to be modified if the hitch hits the carrier. **NOTE:** Be sure to use four holes to bolt the brackets to the center section.
3. Using the hole in the bracket as a guide, drill a 5/8" diameter hole through the frame. Use the farthest front hole. Do this on both sides.
4. Insert 5/8" bolts with 1/4" bolt plates down through the frame and the bracket. Install 3/8" thick spacers, 5/8" lock washers and nuts on the bolts.
5. Tighten the nuts in the following order:
First torque the 1/2" nuts to 70 ft•lb.
Then torque the 5/8" nuts to 115 ft•lb.

NOTE: SIDE BRACKETS WILL DEFLECT WHEN TIGHTENED

TOOLS REQUIRED

5/8"	DRILL BIT
3/8"	DRILL BIT
15/16"	SOCKET
15/16"	WRENCH
3/4"	SOCKET
3/4"	WRENCH
13MM	SOCKET
9/16"	SOCKET
9/16"	WRENCH
	TORQUE WRENCH

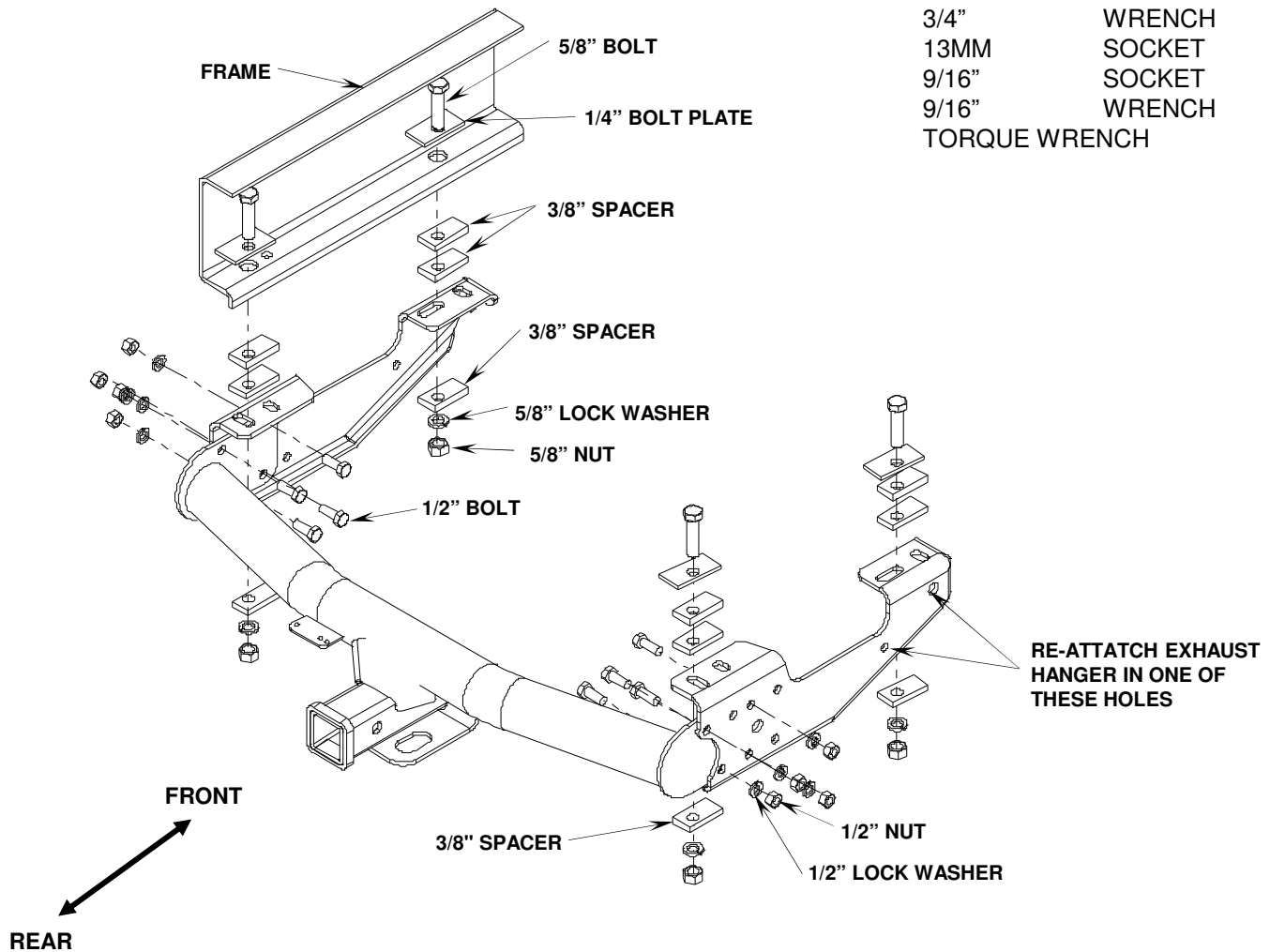


1994-2001 and 2002 2500/3500 Dodge Pick Up Short Bed:

1. The spare tire may need to be loosened for installation.
2. Bolt the brackets to the frame as shown with a 5/8" bolt and 1/4" bolt plate inserted through the 1" diameter hole in the end of the frame. Install two 3/8" thick spacers between the frame and brackets at the rear bolting locations. Install 3/8" thick spacers, lock washers and nuts on the bolts. **NOTE:** For some models, the exhaust hanger will need to be unbolted from the frame.
3. Install the center section between the brackets as shown. Use the hole pattern that works best for your truck. Insert 1/2" bolts through the center section and the brackets. Install 1/2" lock washers and nuts on the bolts. Finger tighten the bolts at this time. **NOTE:** Be sure to use four holes to bolt each bracket to the center section.
4. Using the hole in the bracket as a guide, drill a 5/8" hole through the frame. Use the hole shown in the diagram. Install 5/8" bolts with bolt plates into the holes. Be sure to insert two 3/8" thick spacers between the frame and the brackets. Install 3/8" thick spacers, lock washers and nuts on the bolts.
5. If the exhaust hanger was removed, drill a 3/8" hole through the hanger and attach it to the hitch bracket in one of the holes indicated. Use the 3/8" hardware provided to re-attach the exhaust hanger.
6. Tighten the nuts in the following order:
First torque the 1/2" nuts to 70 ft•lb.
Then torque the 5/8" nuts to 115 ft•lb.
7. If the spare tire was loosened, retighten it now.

TOOLS REQUIRED

3/8"	DRILL BIT
15/16"	SOCKET
15/16"	WRENCH
3/4"	SOCKET
3/4"	WRENCH
13MM	SOCKET
9/16"	SOCKET
9/16"	WRENCH
TORQUE WRENCH	



1994-2001 and 2002 2500/3500 Dodge Pick Up Long Bed:

1. The spare tire may need to be loosened for installation.
2. Bolt the brackets to the frame as shown with a 5/8" bolt and 1/4" bolt plate inserted through the 1" diameter hole in the end of the frame. Install two 3/8" thick spacers between the frame and brackets at the rear bolting locations. Install 3/8" thick spacers, lock washers and nuts on the bolts. **NOTE:** For some models, the exhaust hanger will need to be unbolted from the frame.
3. Install the center section between the brackets as shown. Use the hole pattern that works best for your truck. Insert 1/2" bolts through the center section and the brackets. Install 1/2" lock washers and nuts on the bolts. Finger tighten the bolts at this time. **NOTE:** Be sure to use four holes to bolt each bracket to the center section.
4. Insert a 5/8" bolt with a 1/4" bolt plate through the 1" hole in the frame and into the bracket as shown. Insert two 3/8" thick spacers between the frame and the bracket. Install a 3/8" thick spacer, 5/8" lock washer and nut on the bolt. Do this on both sides.
5. If the exhaust hanger was removed, drill a 3/8" hole through the hanger and attach it to the hitch bracket in one of the holes indicated. Use the 3/8" hardware provided to re-attach the exhaust hanger.
6. Tighten the nuts in the following order:
First torque the 1/2" nuts to 70 ft•lb.
Then torque the 5/8" nuts to 115 ft•lb.
7. If the spare tire was loosened, retighten it now.

INSTRUCTIONS D'INSTALLATION

N° DE PRODUIT

ATTELAGE POLYVALENT POUR CAMIONNETTES

37034

37130

PAQUET DE
PETITES PIÈCES 37424

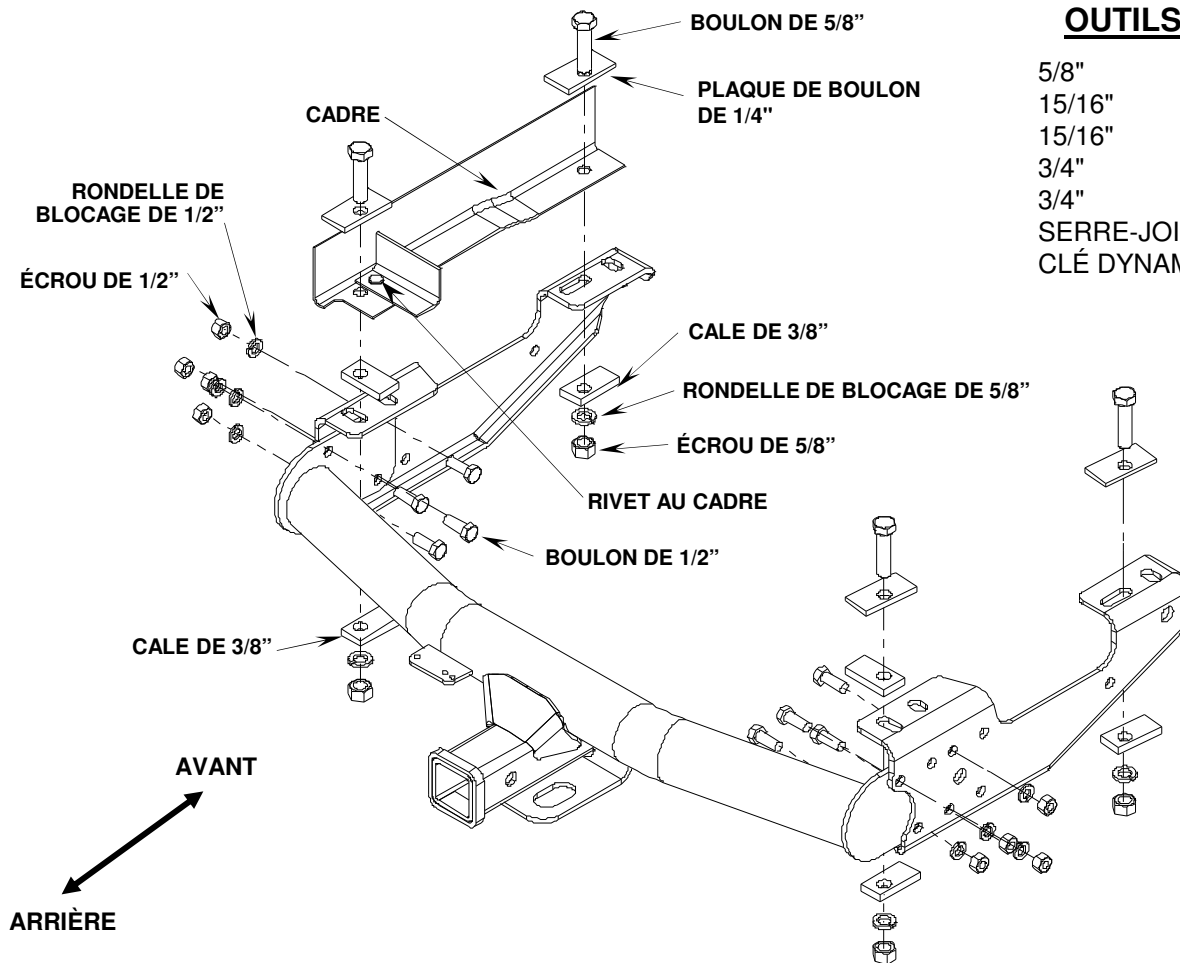
Cequent Products

AVERTISSEMENT: Ne lubrifiez pas les filets; serrer excessivement les boulons pourrait les endommager ou les briser.
AVERTISSEMENT: Ne percez ni soudez cet attelage.

NOTES IMPORTANTES
Utilisez seulement les boulons, les écrous et les rondelles fournis ou approuvés par Reese pour installer cet attelage.

OUTILS REQUIS

5/8"	FORET
15/16"	DOUILLE
15/16"	CLÉ
3/4"	DOUILLE
3/4"	CLÉ
SERRE-JOINTS (2)	
CLÉ DYNAMOMÉTRIQUE	



1973-1996 Ford Camionnette de plein grandeur et 1997 F-250 Heavy Duty / F-350 Heavy Duty:

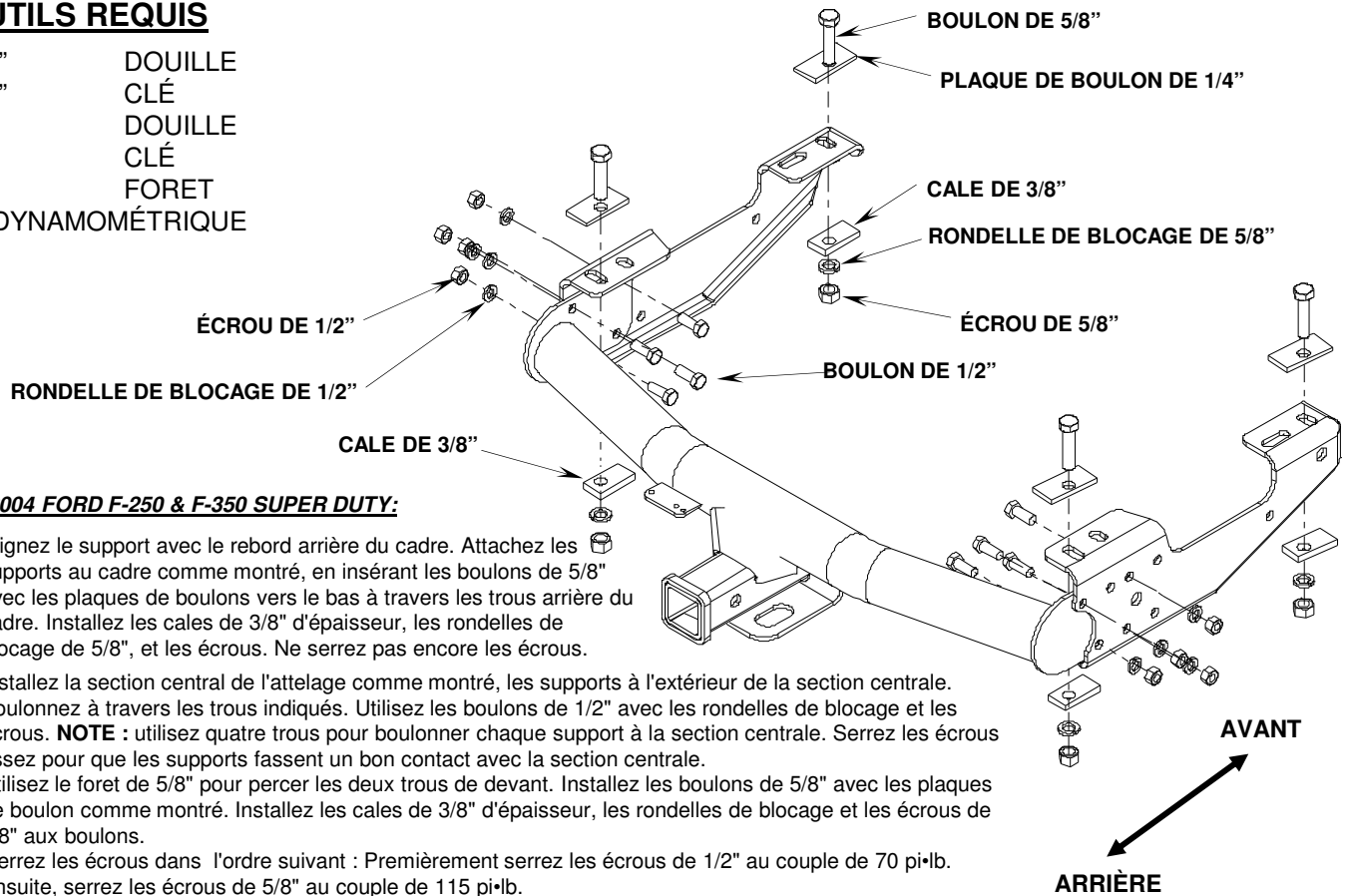
1. Assemblez les trois pièces de l'attelage au sol avant de l'attacher à la camionnette. Utilisez les boulons striés, les rondelles de blocage, et les écrous de 1/2" pour boulonner les supports à la section centrale comme illustré. Mettez les supports à l'extérieur de la section centrale. Mettez les boulons à travers les trous comme montré au diagramme. Gardez les boulons assez desserrés pour pouvoir centrer les supports par rapport au cadre du véhicule. **NOTE :** soyez certain d'utiliser trois trous pour boulonner chaque support à la section centrale.
2. Serrez l'attelage au cadre avec une cale de 3/8" d'épaisseur entre l'attelage et le cadre à l'arrière. Alignez les extrémités des supports avec l'extrémité du cadre comme montré.
3. Utilisez les trous des supports comme guide pour percer des trous de 5/8" de diamètre dans le cadre aux points montrés.
4. Insérez les boulons de 5/8" avec les plaques de boulon vers le bas à travers le cadre et le support. Mettez une cale de 3/8" d'épaisseur entre le cadre et le support au trou de montage arrière. Installez les cales de 3/8" d'épaisseur, les rondelles de blocage, et les écrous aux boulons.
5. Serrez les écrous dans l'ordre suivant : d'abord les écrous de 1/2" au couple de 70 pi•lb, puis les écrous de 5/8" au couple de 115 pi•lb.

REMARQUE : LES SUPPORTS LATÉRAUX FLÉCHISSENT AU SERRAGE

Pour obtenir de l'assistance technique, consultez notre site Web à
www.cequentgroup.com ou composez le 1-800-234-6992

OUTILS REQUIS

15/16"	DOUILLE
15/16"	CLÉ
3/4"	DOUILLE
3/4"	CLÉ
5/8"	FORET
	CLÉ DYNAMOMÉTRIQUE

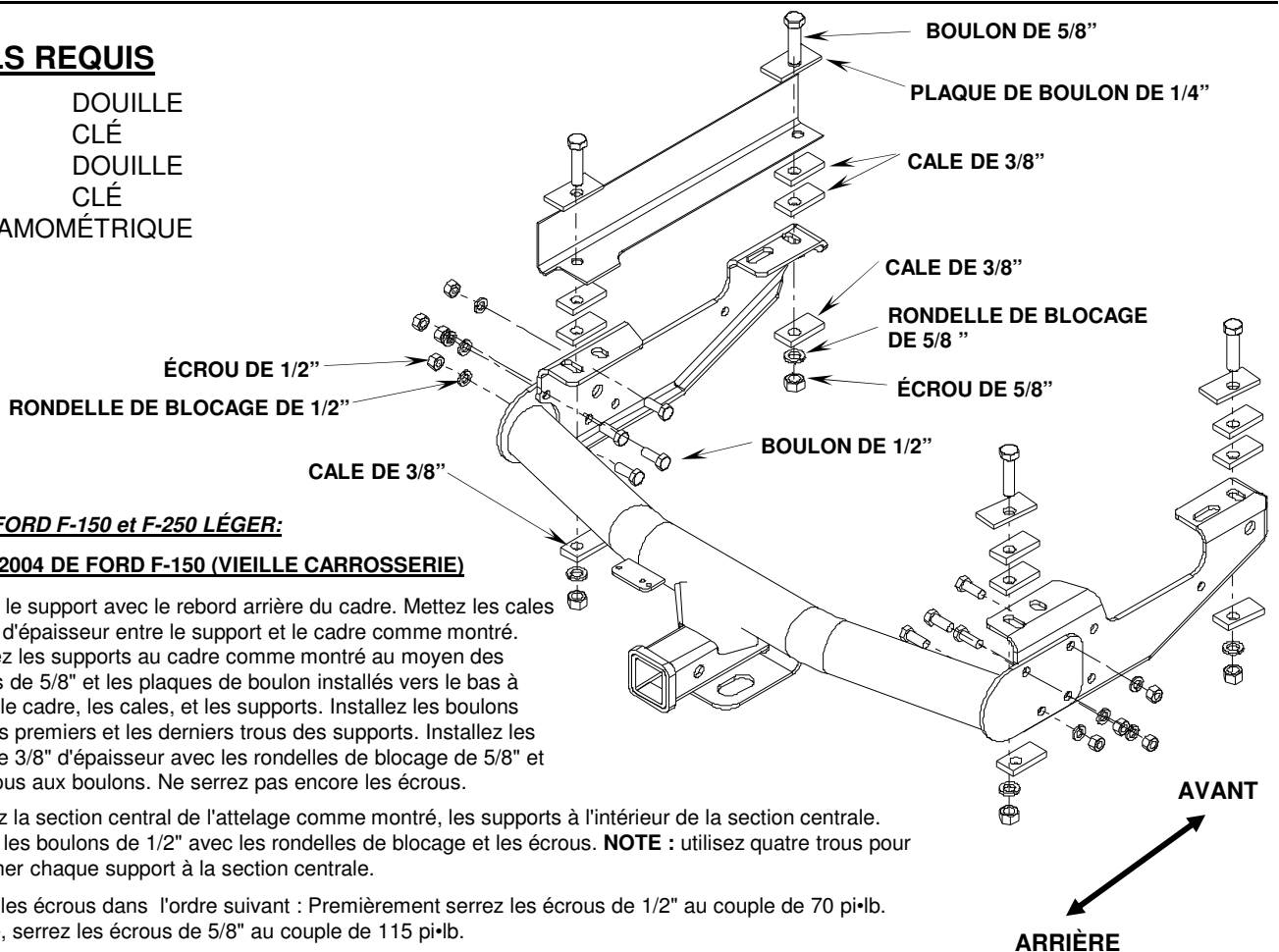


1998-2004 FORD F-250 & F-350 SUPER DUTY:

1. Alignez le support avec le rebord arrière du cadre. Attachez les supports au cadre comme montré, en insérant les boulons de 5/8" avec les plaques de boulons vers le bas à travers les trous arrière du cadre. Installez les cales de 3/8" d'épaisseur, les rondelles de blocage de 5/8", et les écrous. Ne serrez pas encore les écrous.
2. Installez la section central de l'attelage comme montré, les supports à l'extérieur de la section centrale. Boulonnez à travers les trous indiqués. Utilisez les boulons de 1/2" avec les rondelles de blocage et les écrous. **NOTE** : utilisez quatre trous pour boulonner chaque support à la section centrale. Serrez les écrous assez pour que les supports fassent un bon contact avec la section centrale.
3. Utilisez le foret de 5/8" pour percer les deux trous de devant. Installez les boulons de 5/8" avec les plaques de boulon comme montré. Installez les cales de 3/8" d'épaisseur, les rondelles de blocage et les écrous de 5/8" aux boulons.
4. Serrez les écrous dans l'ordre suivant : Premièrement serrez les écrous de 1/2" au couple de 70 pi•lb. Ensuite, serrez les écrous de 5/8" au couple de 115 pi•lb.

OUTILS REQUIS

15/16"	DOUILLE
15/16"	CLÉ
3/4"	DOUILLE
3/4"	CLÉ
	CLÉ DYNAMOMÉTRIQUE



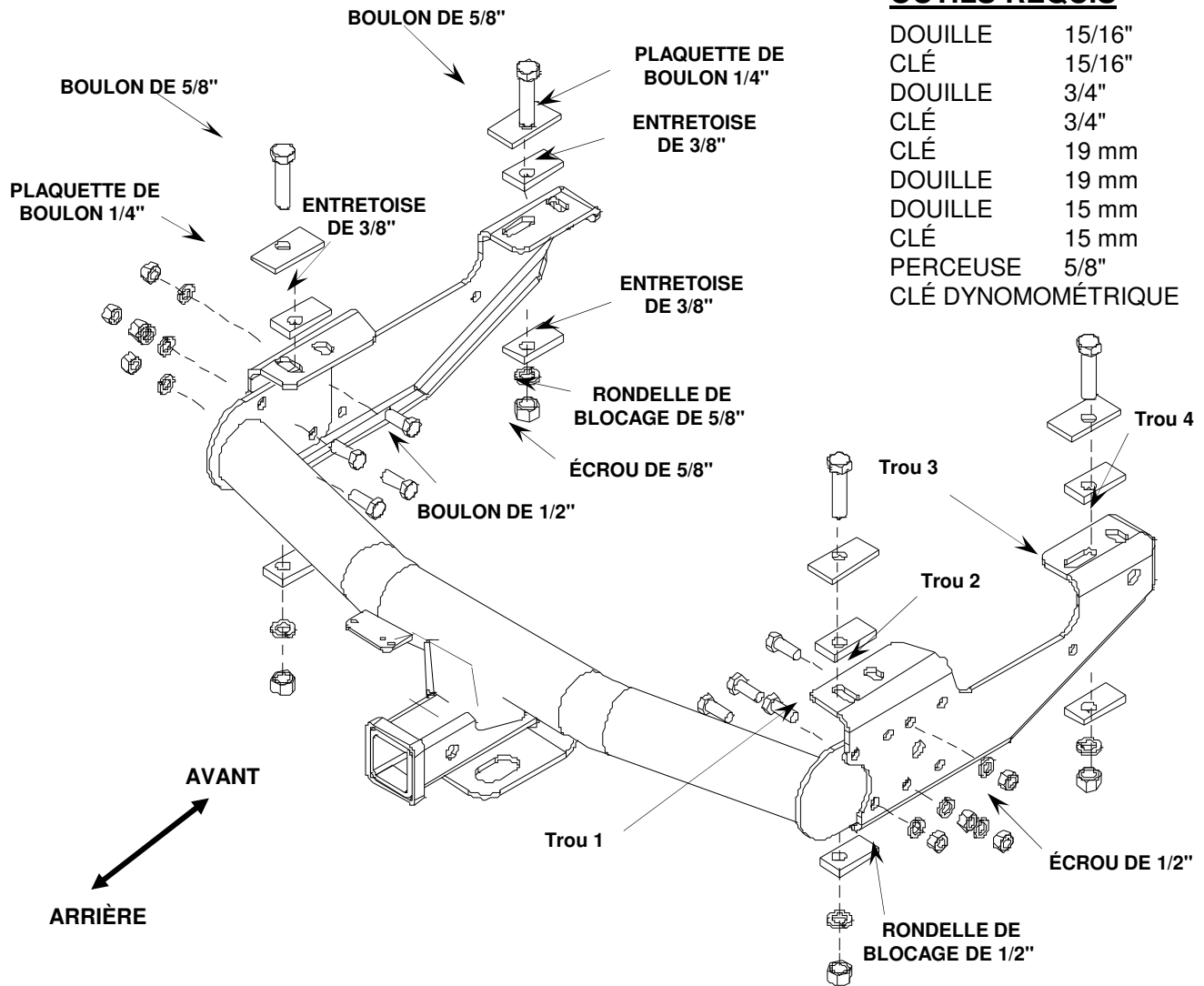
1997-2003 FORD F-150 et F-250 LÉGER:

HÉRITAGE 2004 DE FORD F-150 (VIEILLE CARROSSERIE)

1. Alignez le support avec le rebord arrière du cadre. Mettez les cales de 3/8" d'épaisseur entre le support et le cadre comme montré. Attachez les supports au cadre comme montré au moyen des boulons de 5/8" et les plaques de boulon installés vers le bas à travers le cadre, les cales, et les supports. Installez les boulons dans les premiers et les derniers trous des supports. Installez les cales de 3/8" d'épaisseur avec les rondelles de blocage de 5/8" et les écrous aux boulons. Ne serrez pas encore les écrous.
2. Installez la section central de l'attelage comme montré, les supports à l'intérieur de la section centrale. Utilisez les boulons de 1/2" avec les rondelles de blocage et les écrous. **NOTE** : utilisez quatre trous pour boulonner chaque support à la section centrale.
3. Serrez les écrous dans l'ordre suivant : Premièrement serrez les écrous de 1/2" au couple de 70 pi•lb. Ensuite, serrez les écrous de 5/8" au couple de 115 pi•lb.

OUTILS REQUIS

DOUILLE	15/16"
CLÉ	15/16"
DOUILLE	3/4"
CLÉ	3/4"
CLÉ	19 mm
DOUILLE	19 mm
DOUILLE	15 mm
CLÉ	15 mm
PERCEUSE	5/8"
CLÉ DYNAMOMÉTRIQUE	

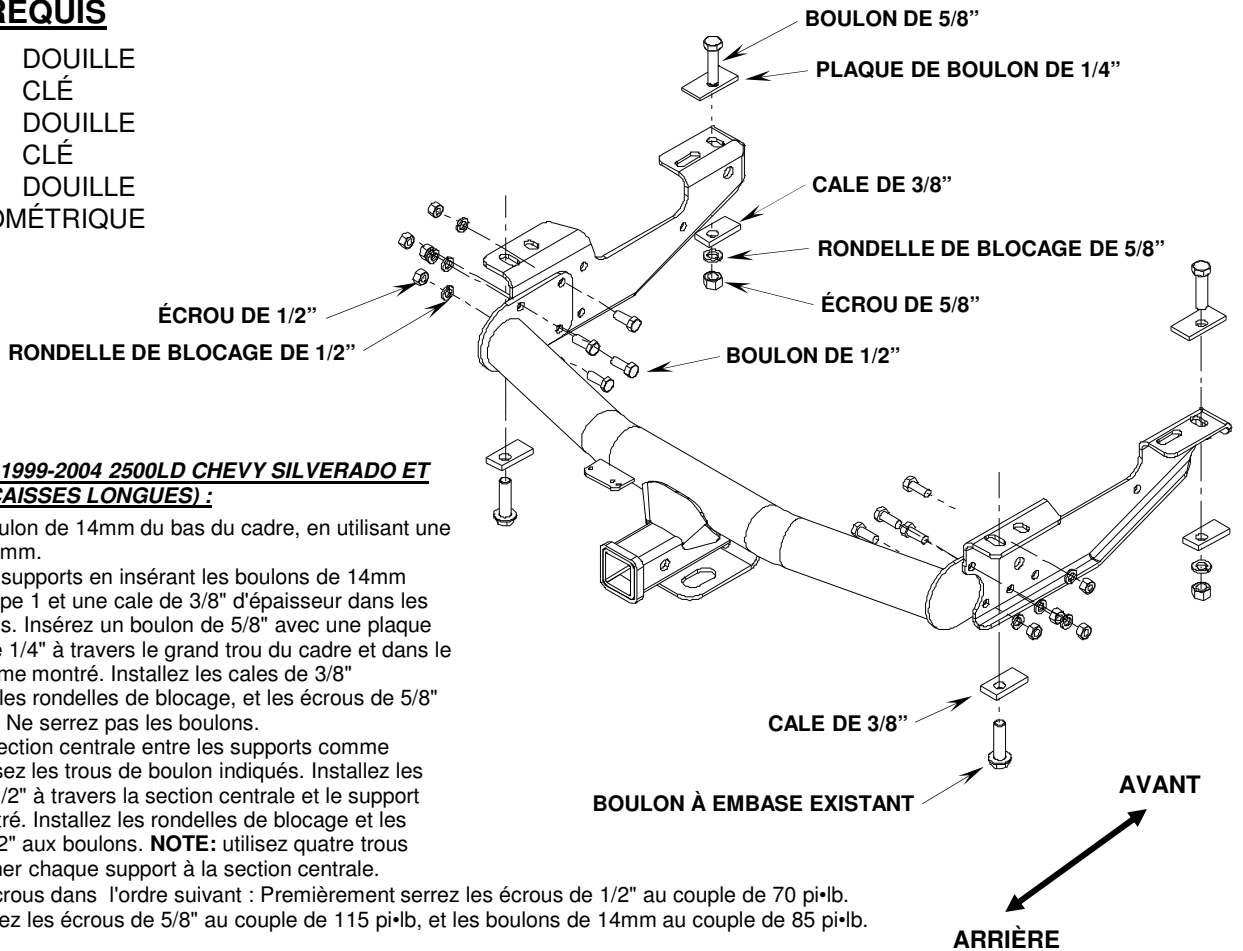


CHEVROLET ET GMC (CLASSIC) (1988-2000) :

1. Vous devez retirer les boulons de 12 mm et les boulons soudés à l'extrémité du cadre (portez des lunettes de protection). 1ère méthode : retirez à moitié le boulon de 12 mm. Faites monter le boulon en frappant dessus avec un marteau à panne ronde, de manière à décoller l'écrou. Élargissez le trou du boulon à 5/8" de diamètre. 2ème méthode : retirez le boulon de 12 mm et jetez-le. Percez l'écrou à l'aide d'un foret de 5/8". Retirez ensuite la partie restante avec un marteau et un burin. Certains véhicules sont équipés d'un boulon supplémentaire de 8 mm du côté passager. Ôtez le boulon et remplacez-le, la tête au bas du cadre.
2. Si votre véhicule est équipé de rivets ou d'un boulon de 8 mm dans le bas du cadre, vous devrez insérer une entretoise de 3/8" entre le cadre et le support, à chaque point de boulonnage. Elles permettent de créer un espace entre le support et la tête du rivet ou du boulon de 8 mm. Vous ne devez pas boulonner le support directement contre les rivets ou contre le boulon de 8 mm.
3. À l'aide de la quincaillerie fournie, insérez un boulon de 5/8" de diamètre avec plaquette dans le trou formé par le retrait de l'écrou de 12 mm. Fixez le support sur le cadre (voir illustration). Sur les caisses courtes, utilisez le trou 2. Sur les caisses longues, utilisez le trou 1.
NOTE : CERTAINS SYSTÈMES À ÉCHAPPEMENT DOUBLE PEUVENT COINCER LE SUPPORT. VOUS DEVEZ ALORS MODIFIER L'ÉCHAPPEMENT. Fixez le support avec une entretoise de 3/8", une rondelle de blocage de 5/8" et un écrou de 5/8".
4. (Caisses courtes) : insérez les boulons de 5/8" avec les plaques de boulons vers le bas à travers les trous de 1" de diamètre dans le cadre, et dans les trous (4) au support. Installez une cale de 3/8" d'épaisseur, une rondelle de blocage de 5/8", et un écrou à chaque boulon. Ne serrez pas encore les écrous.
5. (Caisses longues) : insérez les boulons de 5/8" avec les plaques de boulons vers le bas à travers les trous de 1" de diamètre dans le cadre, et dans les trous (3) au support. Si les trous de devant sont du diamètre de 1/2", utilisez le foret de 5/8" pour les élargir. Installez une cale de 3/8" d'épaisseur, une rondelle de blocage, et un écrou de 5/8" à chaque boulon. Ne serrez pas encore les écrous.
6. Mettez la section centrale entre les supports comme montré. Il peut être nécessaire de desserrer le pneu de rechange. Boulonnez à travers la section centrale et les supports, en utilisant les boulons, les rondelles de blocage, et les écrous de 1/2". **NOTE** : utilisez quatre trous pour boulonner chaque support à la section centrale.
7. Serrez les écrous dans l'ordre suivant : premièrement serrez les écrous de 1/2" au couple de 70 pi•lb. Ensuite, serrez les écrous de 5/8" au couple de 115 pi•lb.
8. Resserrer le pneu de rechange s'il a été desserré.
9. Assurez-vous que le pneu de rechange ne frotte pas le tuyau de freins. Si nécessaire, pliez un peu le support de montage du tuyau de freins pour qu'il y ait suffisamment d'espace entre le pneu et le tuyau de freins.

OUTILS REQUIS

15/16"	DOUILLE
15/16"	CLÉ
3/4"	DOUILLE
3/4"	CLÉ
21MM	DOUILLE
CLÉ DYNAMOMÉTRIQUE	

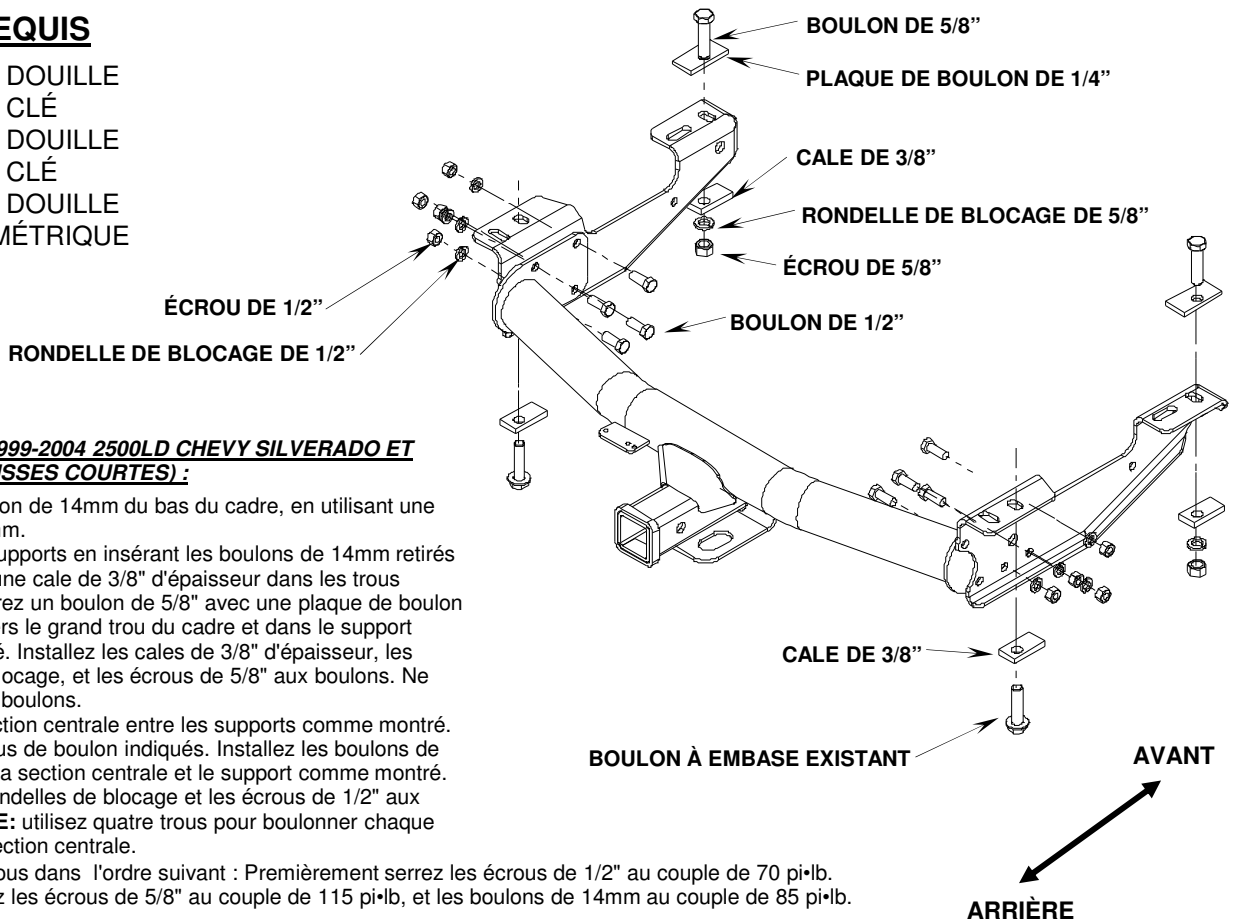


1999-2007 1500, 1999-2004 2500LD CHEVY SILVERADO ET GMC SIERRA (CAISSES LONGUES) :

1. Retirez le boulon de 14mm du bas du cadre, en utilisant une douille de 21mm.
2. Attachez les supports en insérant les boulons de 14mm retirés à l'étape 1 et une cale de 3/8" d'épaisseur dans les trous indiqués. Insérez un boulon de 5/8" avec une plaque de boulon de 1/4" à travers le grand trou du cadre et dans le support comme montré. Installez les cales de 3/8" d'épaisseur, les rondelles de blocage, et les écrous de 5/8" aux boulons. Ne serrez pas les boulons.
3. Installez la section centrale entre les supports comme montré. Utilisez les trous de boulon indiqués. Installez les boulons de 1/2" à travers la section centrale et le support comme montré. Installez les rondelles de blocage et les écrous de 1/2" aux boulons. **NOTE:** utilisez quatre trous pour boulonner chaque support à la section centrale.
4. Serrez les écrous dans l'ordre suivant : Premièrement serrez les écrous de 1/2" au couple de 70 pi•lb. Ensuite, serrez les écrous de 5/8" au couple de 115 pi•lb, et les boulons de 14mm au couple de 85 pi•lb.

OUTILS REQUIS

15/16"	DOUILLE
15/16"	CLÉ
3/4"	DOUILLE
3/4"	CLÉ
21MM	DOUILLE
CLÉ DYNAMOMÉTRIQUE	

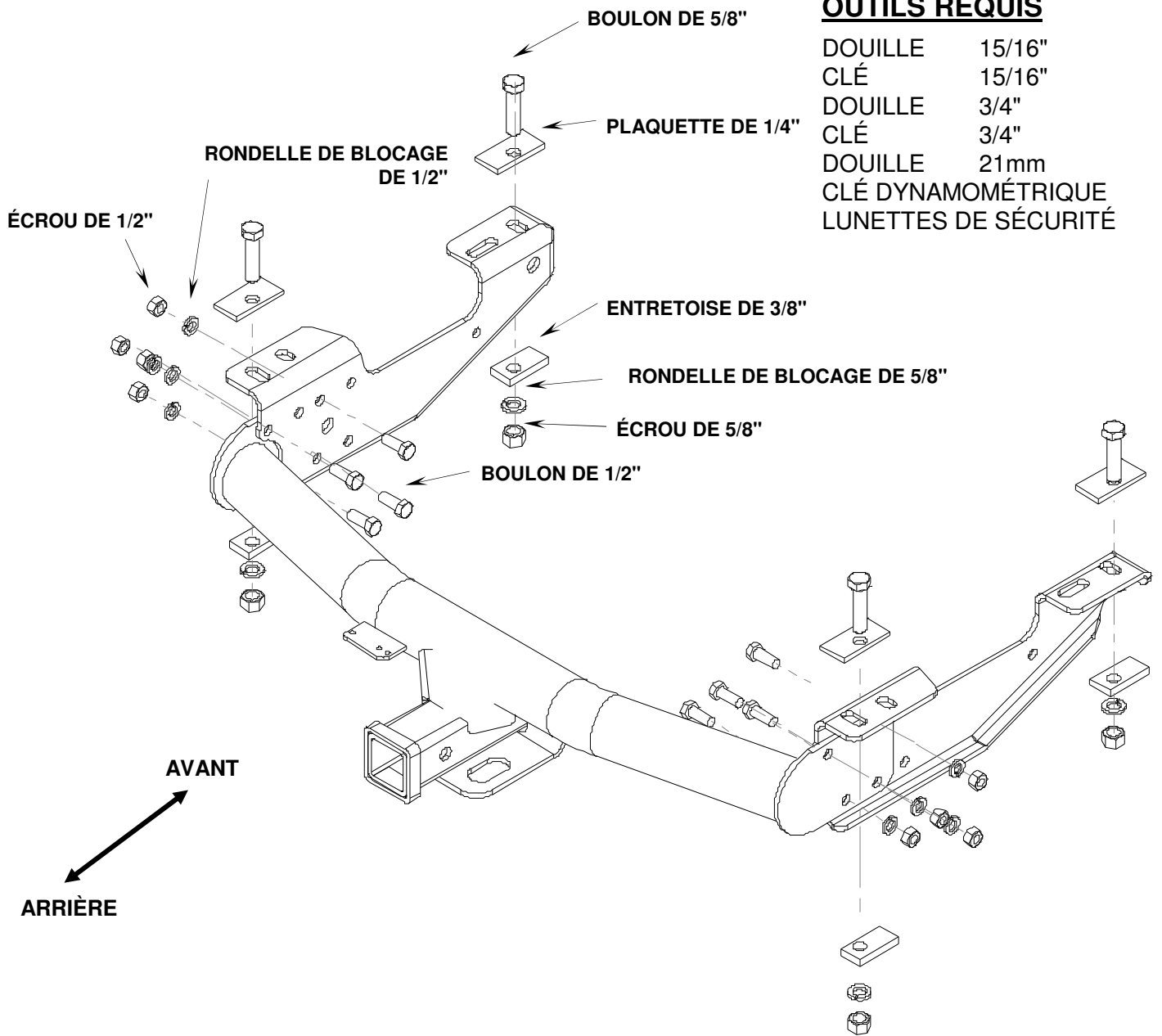


1999-2007 1500, 1999-2004 2500LD CHEVY SILVERADO ET GMC SIERRA (CAISSES COURTES) :

1. Retirez le boulon de 14mm du bas du cadre, en utilisant une douille de 21mm.
2. Attachez les supports en insérant les boulons de 14mm retirés à l'étape 1 et une cale de 3/8" d'épaisseur dans les trous indiqués. Insérez un boulon de 5/8" avec une plaque de boulon de 1/4" à travers le grand trou du cadre et dans le support comme montré. Installez les cales de 3/8" d'épaisseur, les rondelles de blocage, et les écrous de 5/8" aux boulons. Ne serrez pas les boulons.
3. Installez la section centrale entre les supports comme montré. Utilisez les trous de boulon indiqués. Installez les boulons de 1/2" à travers la section centrale et le support comme montré. Installez les rondelles de blocage et les écrous de 1/2" aux boulons. **NOTE:** utilisez quatre trous pour boulonner chaque support à la section centrale.
4. Serrez les écrous dans l'ordre suivant : Premièrement serrez les écrous de 1/2" au couple de 70 pi•lb. Ensuite, serrez les écrous de 5/8" au couple de 115 pi•lb, et les boulons de 14mm au couple de 85 pi•lb.

OUTILS REQUIS

DOUILLE	15/16"
CLÉ	15/16"
DOUILLE	3/4"
CLÉ	3/4"
DOUILLE	21mm
CLÉ DYNAMOMÉTRIQUE	
LUNETTES DE SÉCURITÉ	



TOYOTA TUNDRA (2000-2006) :

1. Élargissez le trou pratiqué à l'arrière du cadre et insérez les boulons de 5/8" dans le cadre, à travers les plaquettes. À l'aide de l'entretoise de 3/8", de la rondelle de blocage et de l'écrou de 5/8", fixez les supports au cadre. Gardez les boulons assez desserrés pour pouvoir centrer les supports par rapport au cadre du véhicule. N'installez pas de boulon dans le trou avant des supports pour le moment.
2. Raccordez la section centrale aux supports comme illustré. Utilisez les emplacements de boulonnage indiqués. Insérez les boulons de 1/2" dans la section centrale et les supports, comme illustré. Posez les rondelles de blocage et les écrous de 1/2" sur les boulons.
3. En vous servant des trous avant extrêmes comme guides, percez un trou de 5/8" et insérez les boulons de 5/8" dans le cadre et les supports, à travers les plaquettes de 1/4". Placez l'entretoise de 3/8", la rondelle de blocage et les écrous de 5/8".

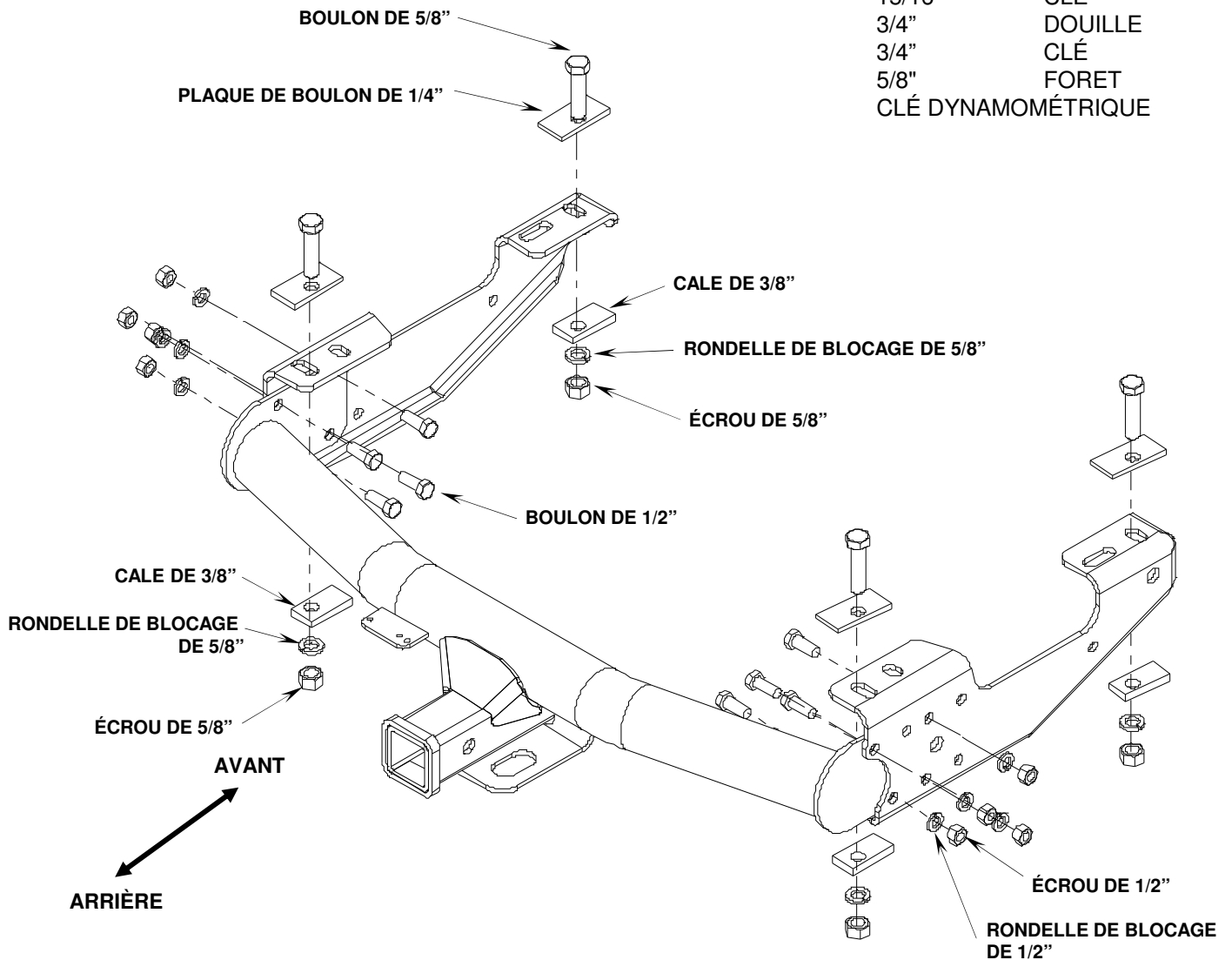
REMARQUE : assurez-vous de bien utiliser les quatre trous pour le boulonnage des supports sur la section centrale.

4. Serrez les écrous dans l'ordre suivant :
d'abord les écrous 1/2" à 70 pi•lb.
puis les écrous 5/8" à 115 pi•lb.

REMARQUE : LES SUPPORTS LATÉRAUX FLÉCHISSENT AU SERRAGE

OUTILS REQUIS

15/16"	DOUILLE
15/16"	CLÉ
3/4"	DOUILLE
3/4"	CLÉ
5/8"	FORET
	CLÉ DYNAMOMÉTRIQUE



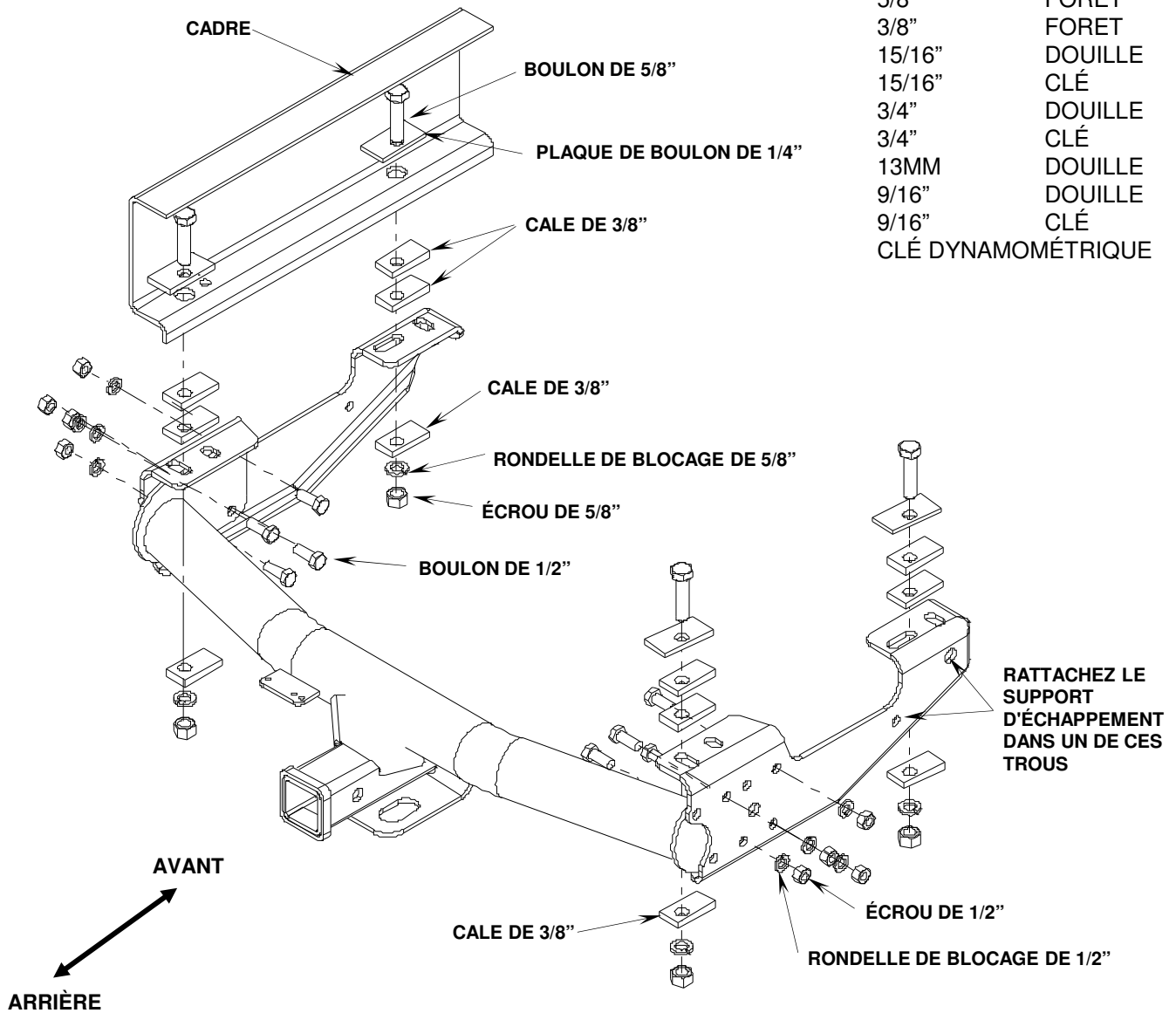
1971-1993 Camionnette Dodge :

1. Insérez un boulon de 5/8" avec une plaque de boulon vers le bas à travers le trou de 1" de diamètre à l'extrémité du cadre. Faites ceci des deux côtés. Attachez les supports au cadre comme montré, en utilisant les cales de 3/8" d'épaisseur, les rondelles de blocage de 5/8", et les écrous. Gardez les boulons assez desserrés pour pouvoir centrer les supports par rapport au cadre du véhicule.
2. Installez la section centrale entre les supports comme montré, en insérant les boulons de 1/2" à travers la section centrale et les supports. Installez les rondelles de blocage et les écrous de 1/2". Utilisez les trous indiqués. Serrez légèrement à la main. Certains porteurs de pneu de rechange peuvent avoir besoin d'être modifiés si l'attelage contacte le porteur. **NOTE** : utilisez quatre trous pour boulonner chaque support à la section centrale.
3. En utilisant le trou du support comme guide, percez un trou de 5/8" à travers le cadre. Utilisez le trou le plus vers l'avant. Faites ceci des deux côtés.
4. Insérez les boulons de 5/8" avec les plaques de boulon de 1/4" vers le bas à travers le cadre et les supports. Installez les cales de 3/8" d'épaisseur, les rondelles de blocage, et les écrous de 5/8" aux boulons.
5. Serrez les écrous dans l'ordre suivant :
Premièrement serrez les écrous de 1/2" au couple de 70 pi•lb.
Ensuite, serrez les écrous de 5/8" au couple de 115 pi•lb.

REMARQUE : LES SUPPORTS LATÉRAUX FLÉCHISSENT AU SERRAGE

OUTILS REQUIS

5/8"	FORET
3/8"	FORET
15/16"	DOUILLE
15/16"	CLÉ
3/4"	DOUILLE
3/4"	CLÉ
13MM	DOUILLE
9/16"	DOUILLE
9/16"	CLÉ
	CLÉ DYNAMOMÉTRIQUE

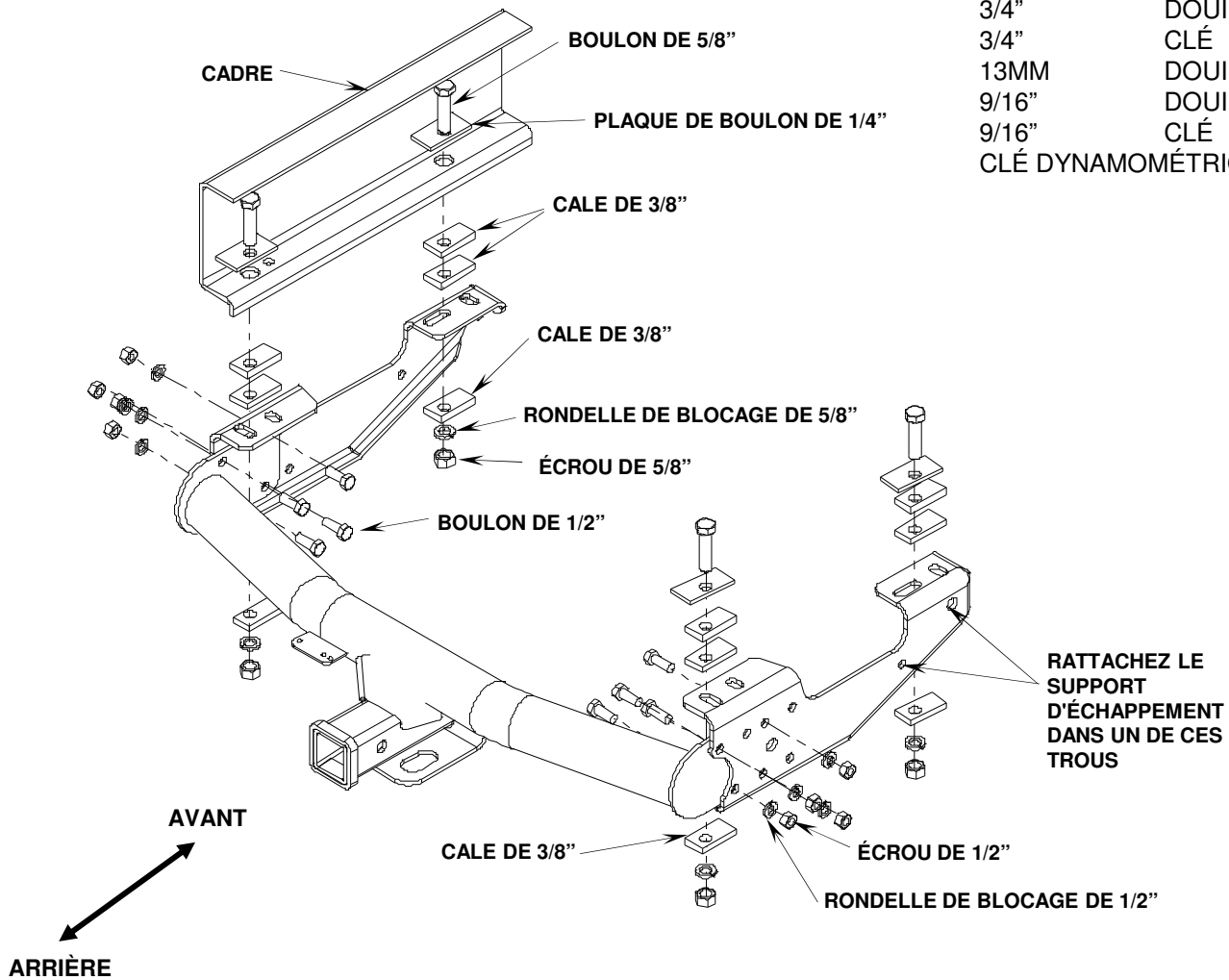


1994-2001 et 2002 2500/3500 Camionnette Dodge à caisse courte :

1. Il peut être nécessaire de desserrer le pneu de rechange pendant l'installation.
2. Attachez les supports au cadre comme montré en utilisant un boulon de 5/8" et une plaque de boulon insérés à travers le trou de 1" de diamètre à l'extrémité du cadre. Installez deux cales de 3/8" d'épaisseur entre le cadre et les supports aux points de montage arrière. Installez les cales de 3/8" d'épaisseur, les rondelles de blocage de 5/8", et les écrous aux boulons. **NOTE** : sur certains modèles, il faut déboulonner le support de l'échappement du cadre.
3. Installez la section centrale entre les supports comme montré. Utilisez les trous qui donnent le meilleur positionnement pour votre véhicule. Insérez les boulons de 1/2" à travers la section centrale et les supports. Installez les rondelles de blocage et les écrous de 1/2" aux boulons. Serrez légèrement à la main. **NOTE** : utilisez quatre trous pour boulonner chaque support à la section centrale.
4. En utilisant les trous des supports comme guide, percez des trous de 5/8" au cadre. Utilisez les trous indiqués au diagramme. Installez les boulons de 5/8" avec les plaques de boulon aux trous. Il faut insérer deux cales de 3/8" d'épaisseur entre le cadre et les supports. Installez les cales de 3/8" d'épaisseur, les rondelles de blocage, et les écrous de 5/8" aux boulons.
5. Si le support de l'échappement a été enlevé, percez un trou de 3/8" dans le support et attachez-le au support d'attelage à un des trous indiqués. Utilisez la quincaillerie de 3/8" pour rattacher le support de l'échappement.
6. Serrez les écrous dans l'ordre suivant :
Premièrement serrez les écrous de 1/2" au couple de 70 pi•lb.
Ensuite, serrez les écrous de 5/8" au couple de 115 pi•lb.
7. Si le pneu de rechange a été desserré, resserrez-le maintenant.

OUTILS REQUIS

3/8"	FORET
15/16"	DOUILLE
15/16"	CLÉ
3/4"	DOUILLE
3/4"	CLÉ
13MM	DOUILLE
9/16"	DOUILLE
9/16"	CLÉ
	CLÉ DYNAMOMÉTRIQUE



1994-2001 et 2002 2500/3500 Camionnette Dodge à caisse longue :

1. Il peut être nécessaire de desserrer le pneu de rechange pendant l'installation.
2. Attachez les supports au cadre comme montré en utilisant un boulon de 5/8" et une plaque de boulon insérés à travers le trou de 1" de diamètre à l'extrémité du cadre. Installez deux cales de 3/8" d'épaisseur entre le cadre et les supports aux points de montage arrière. Installez les cales de 3/8" d'épaisseur, les rondelles de blocage de 5/8", et les écrous aux boulons. **NOTE** : sur certains modèles, il faut déboulonner le support de l'échappement du cadre.
3. Installez la section centrale entre les supports comme montré. Utilisez les trous qui donnent le meilleur positionnement pour votre véhicule. Insérez les boulons de 1/2" à travers la section centrale et les supports. Installez les rondelles de blocage et les écrous de 1/2" aux boulons. Serrez légèrement à la main. **NOTE** : utilisez quatre trous pour boulonner chaque support à la section centrale.
4. Insérez un boulon de 5/8" avec une plaque de boulon de 1/4" à travers le trou de 1" au cadre et à travers le support comme montré. Insérez deux cales de 3/8" d'épaisseur entre le cadre et le support. Installez cale de 3/8" d'épaisseur, une rondelle de blocage de 5/8", et un écrou au boulon. Faites ceci des deux côtés.
5. Si le support de l'échappement a été enlevé, percez un trou de 3/8" dans le support et attachez-le au support d'attelage à un des trous indiqués. Utilisez la quincaillerie de 3/8" pour rattacher le support de l'échappement.
6. Serrez les écrous dans l'ordre suivant :
Premièrement serrez les écrous de 1/2" au couple de 70 pi•lb.
Ensuite, serrez les écrous de 5/8" au couple de 115 pi•lb.
7. Si le pneu de rechange a été desserré, resserrez-le maintenant.

INSTRUCCIONES DE INSTALACIÓN

ENGANCHE MULTICOMPATIBLE PARA CAMIONETAS

Producto No.

37034

37130

PAQUETE DE PIEZAS
PEQUEÑAS 37424

Cequent Products

ADVERTENCIA: No lubrique las roscas; los tornillos pueden romperse debido a una torsión excesiva.
ADVERTENCIA: No taladre ni suelde en este enganche.

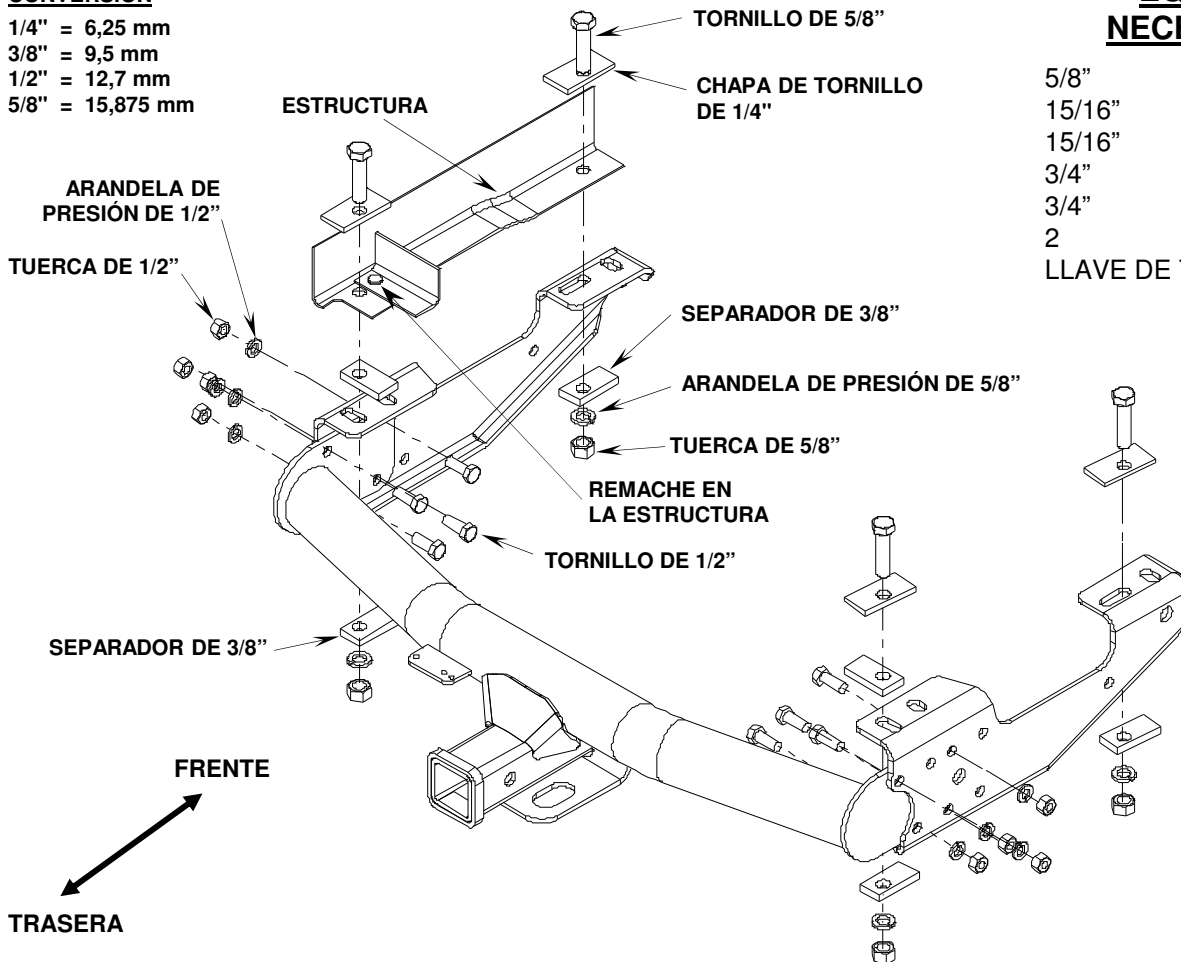
NOTAS IMPORTANTES
Use solamente tornillos, contratuercas y arandelas suministrados o aprobados por REESE para instalar este enganche.

CONVERSIÓN

1/4" = 6,25 mm
3/8" = 9,5 mm
1/2" = 12,7 mm
5/8" = 15,875 mm

EQUIPO NECESARIO

5/8"	BROCA
15/16"	DADO
15/16"	LLAVE
3/4"	DADO
3/4"	LLAVE
2	SUJETADORES
	LLAVE DE TORSIÓN



1973-1996 Camioneta Ford de Tamaño Completo & 1997 F-250 Trabajo Pesado / F-350 Trabajo Pesado

1. En el suelo, ensamble las tres piezas del enganche antes de unir las a la camioneta. Use los tornillos de 1/2", las arandelas de presión y las tuercas para atornillar los soportes a la sección central, así como se ilustra. Coloque los soportes en la parte exterior de la sección central. Atornille a través de los agujeros que se muestran en la ilustración. Deje los tornillos lo suficientemente sueltos para centrar los soportes en el marco de la camioneta. **NOTA:** Asegúrese de usar los cuatro agujeros para atornillar cada soporte a la sección central.
2. Usando un sujetador, una el enganche a la estructura, coloque un separador de 3/8" de grosor en la parte trasera, entre el enganche y la estructura. Alinee las terminaciones de los soportes con la terminación de la estructura, así como se ilustra.
3. Usando los agujeros del soporte como guía, taladre agujeros de 5/8" en la estructura, en las localidades que se muestran.
4. Inserte tornillos de 5/8" junto con chapas de tornillo a través de la estructura y del soporte. Coloque un separador grueso de 3/8" entre la estructura y el soporte en el agujero de montaje trasero. Instale los separadores gruesos de 3/8", las arandelas de presión, y las tuercas en los tornillos.
5. Apriete las tuercas en el orden siguiente: Apriete primero las tuercas de 1/2" a 70 pies•lb. Luego apriete las tuercas de 5/8" a 115 pies•lb.

NOTA: LOS SOPORTES LATERALES SE COMBARÁN AL APRETARLOS

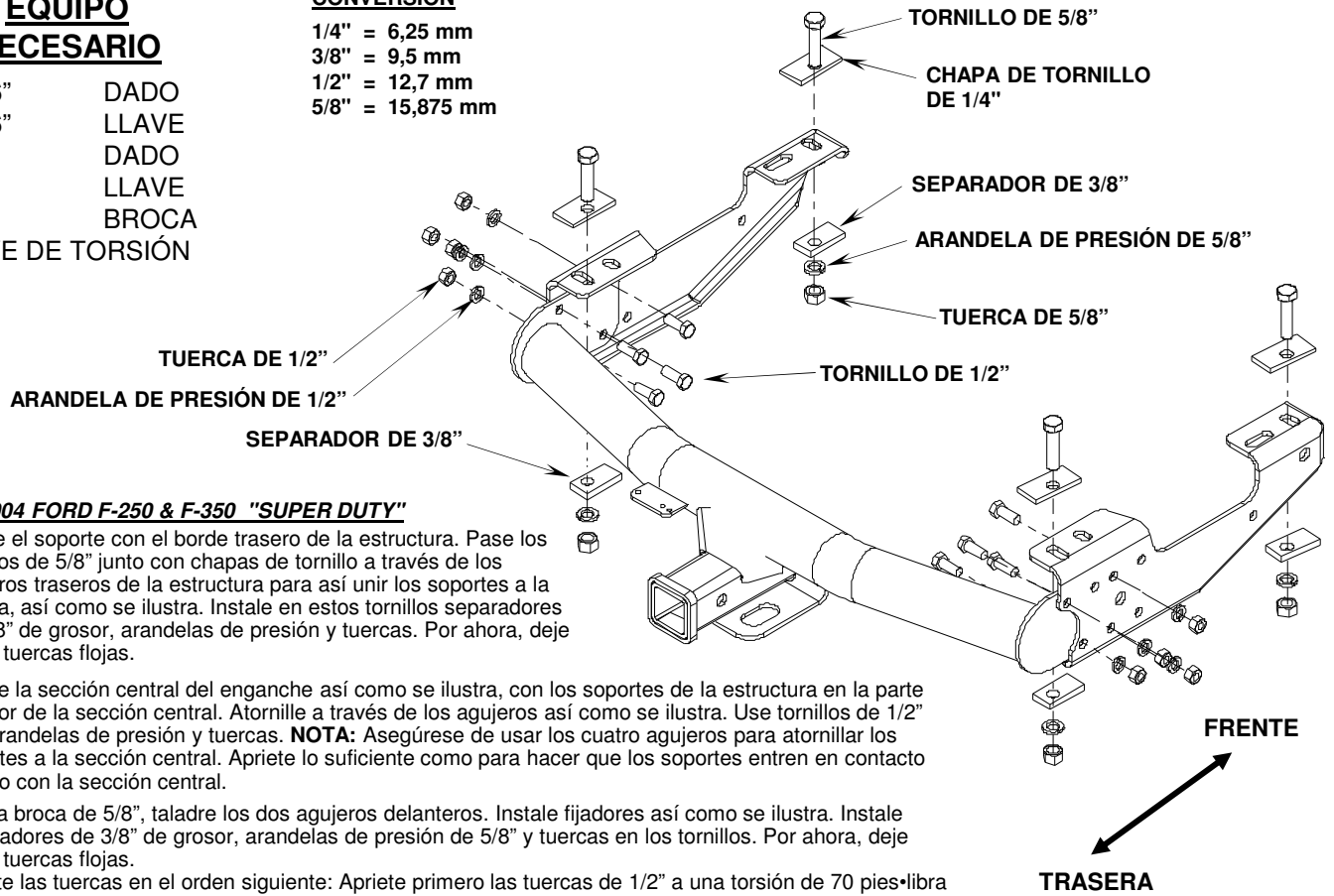
Para solicitar ayuda en la instalación o ayuda técnica, visite nuestro sitio web en:
www.cequentgroup.com o llame gratis al 1-800-234-6992

EQUIPO NECESARIO

15/16"	DADO
15/16"	LLAVE
3/4"	DADO
3/4"	LLAVE
5/8"	BROCA
	LLAVE DE TORSIÓN

CONVERSIÓN

1/4"	= 6,25 mm
3/8"	= 9,5 mm
1/2"	= 12,7 mm
5/8"	= 15,875 mm



1998-2004 FORD F-250 & F-350 "SUPER DUTY"

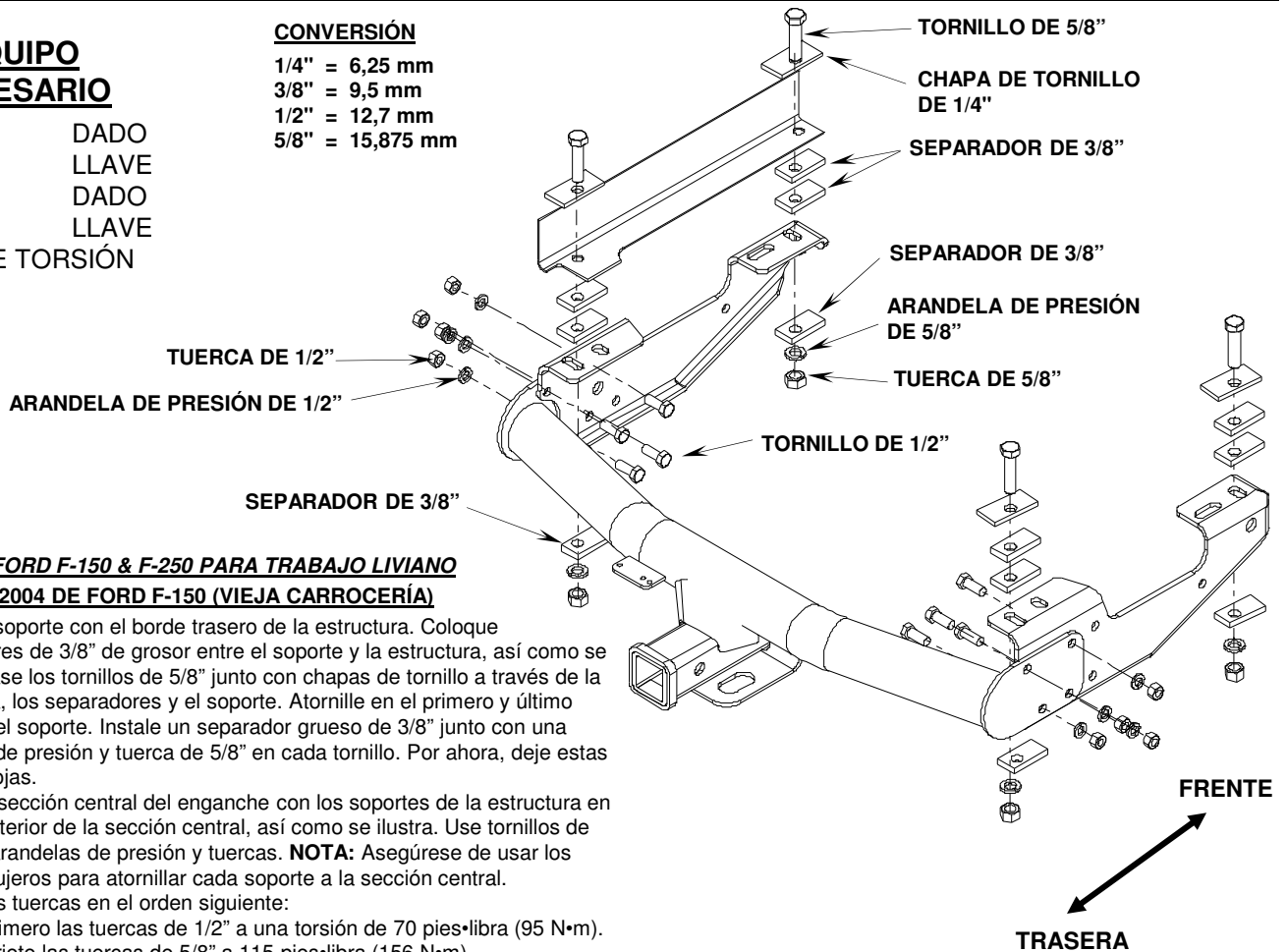
1. Alinee el soporte con el borde trasero de la estructura. Pase los tornillos de 5/8" junto con chapas de tornillo a través de los agujeros traseros de la estructura para así unir los soportes a la misma, así como se ilustra. Instale en estos tornillos separadores de 3/8" de grosor, arandelas de presión y tuercas. Por ahora, deje éstas tuercas flojas.
2. Instale la sección central del enganche así como se ilustra, con los soportes de la estructura en la parte exterior de la sección central. Atornille a través de los agujeros así como se ilustra. Use tornillos de 1/2" con arandelas de presión y tuercas. **NOTA:** Asegúrese de usar los cuatro agujeros para atornillar los soportes a la sección central. Apriete lo suficiente como para hacer que los soportes entren en contacto directo con la sección central.
3. Con la broca de 5/8", taladre los dos agujeros delanteros. Instale fijadores así como se ilustra. Instale separadores de 3/8" de grosor, arandelas de presión de 5/8" y tuercas en los tornillos. Por ahora, deje estas tuercas flojas.
4. Apriete las tuercas en el orden siguiente: Apriete primero las tuercas de 1/2" a una torsión de 70 pies·libra (95 N·m). Luego apriete las tuercas de 5/8" a 115 pies·libra (156 N·m).

EQUIPO NECESARIO

15/16"	DADO
15/16"	LLAVE
3/4"	DADO
3/4"	LLAVE
	LLAVE DE TORSIÓN

CONVERSIÓN

1/4"	= 6,25 mm
3/8"	= 9,5 mm
1/2"	= 12,7 mm
5/8"	= 15,875 mm



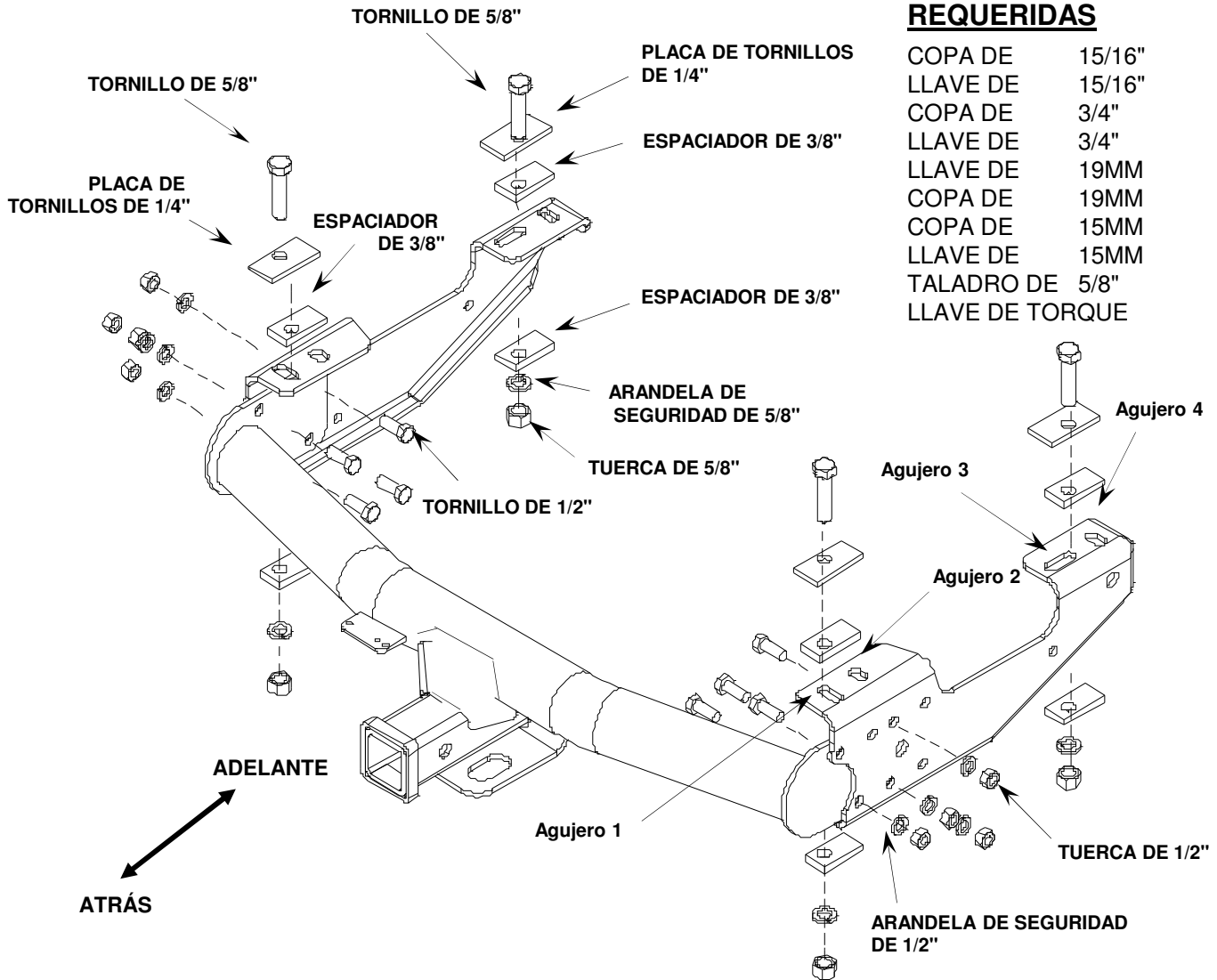
1997-2003 FORD F-150 & F-250 PARA TRABAJO LIVIANO HERENCIA 2004 DE FORD F-150 (VIEJA CARROCERÍA)

1. Alinee el soporte con el borde trasero de la estructura. Coloque separadores de 3/8" de grosor entre el soporte y la estructura, así como se ilustra. Pase los tornillos de 5/8" junto con chapas de tornillo a través de la estructura, los separadores y el soporte. Atornille en el primero y último agujero del soporte. Instale un separador grueso de 3/8" junto con una arandela de presión y tuerca de 5/8" en cada tornillo. Por ahora, deje estas tuercas flojas.
2. Instale la sección central del enganche con los soportes de la estructura en la parte interior de la sección central, así como se ilustra. Use tornillos de 1/2" con arandelas de presión y tuercas. **NOTA:** Asegúrese de usar los cuatro agujeros para atornillar cada soporte a la sección central.
3. Apriete las tuercas en el orden siguiente: Apriete primero las tuercas de 1/2" a una torsión de 70 pies·libra (95 N·m). Luego apriete las tuercas de 5/8" a 115 pies·libra (156 N·m).

HERRAMIENTAS

REQUERIDAS

COPA DE	15/16"
LLAVE DE	15/16"
COPA DE	3/4"
LLAVE DE	3/4"
LLAVE DE	19MM
COPA DE	19MM
COPA DE	15MM
LLAVE DE	15MM
TALADRO DE	5/8"
LLAVE DE TORQUE	



1988-2000 CHEVY & GMC (CLÁSICO)

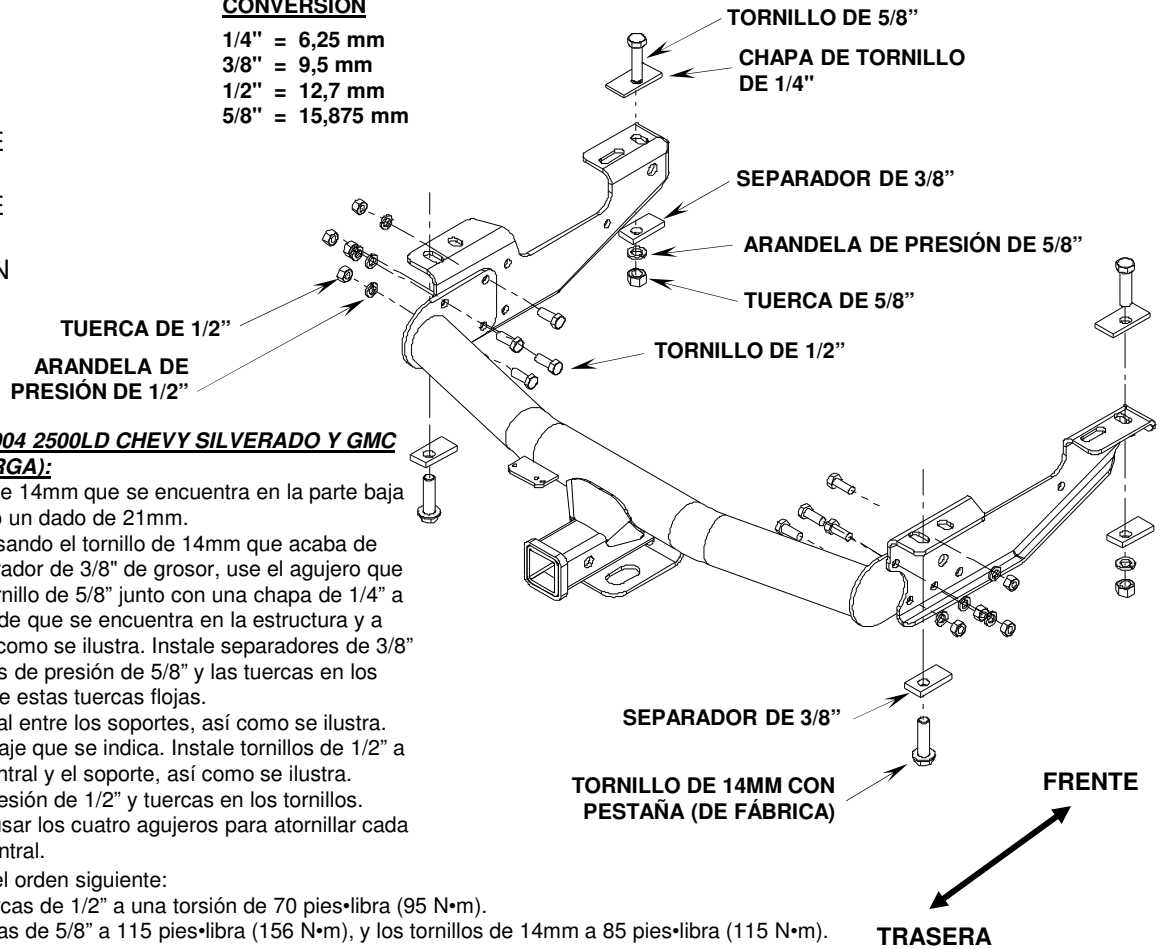
1. Los tornillos de 12mm de diámetro y las tuercas soldadas al final del marco deben ser removidos. (Use Protección de Ojos)
Método 1) Afloje el tornillo de 12mm hasta la mitad. Empuje el tornillo hacia arriba golpeándolo en la cabeza con un martillo de bola para reventar la tuerca. Amplíe el agujero del tornillo hasta 5/8" de diámetro. Método 2) Retire y descarte el tornillo de 12mm. Utilizando una broca de 5/8", taladre la tuerca hasta que caiga. Luego, retire los sobrantes con cincel y martillo. Algunos vehículos tienen un tornillo de 8mm adicional en el lado del pasajero. Retire el tornillo y reinstálelo con la cabeza en la parte inferior del marco.
2. Si su vehículo tiene remaches en la parte inferior del marco o tornillo de 8mm, usted necesitará instalar un espaciador de 3/8" de grosor entre el marco y el soporte en cada punto de anclaje. Estos se necesitan para dar holgura entre el soporte y la cabeza del remache o del tornillo de 8mm. El soporte no puede ser atornillado directamente contra los remaches o el tornillo de 8mm.
3. Utilizando los herrajes suministrados, inserte un tornillo de 5/8" de diámetro con placa de tornillo hacia abajo a través del agujero creado al retirar la tuerca de 12mm. Asegure el soporte al marco. Vea la ilustración. Para platón corto use el agujero 2. En platón largo use agujero 1. **NOTA: ALGUNOS SISTEMAS DE ESCAPE DOBLES GOLPEARÁN EL SOPORTE. EL ESCAPE NECESITARÁ SER MODIFICADO.** Fije con espaciador de 3/8", arandela de seguridad de 5/8" y tuerca de 5/8".
4. (Cabina Corta): Inserte los tornillos de 5/8" junto con chapas de tornillo a través del agujero de 1" de diámetro que se encuentra en la estructura y a través del agujero (4) del soporte. Instale un separador de 3/8" de grosor, arandela de presión de 5/8", y tuerca en cada tornillo. Por ahora, deje estas tuercas flojas.
5. (Cabina Larga): Inserte los tornillos de 5/8" junto con chapas de tornillo a través del agujero de 1" de diámetro que se encuentra en la estructura y a través del agujero (3) del soporte. Si los agujeros delanteros sean de diámetro de 1/2", use la broca de 5/8" para agrandarlos. Instale un separador de 3/8" de grosor, arandela de presión de 5/8", y tuerca en cada tornillo. Por ahora, deje estas tuercas flojas.
6. Coloque la sección central entre los soportes, así como se ilustra. Es posible que sea necesario aflojar la llanta de repuesto. Atornille a través de la sección central y el soporte usando tornillos de 1/2", arandelas de presión y tuercas. **NOTA: Asegúrese de usar los cuatro agujeros para atornillar los soportes a la sección central.**
7. Apriete las tuercas en el orden siguiente:
Apriete primero las tuercas de 1/2" a una torsión de 70 pies•libra (95 N•m).
Luego apriete las tuercas de 5/8" a 115 pies•libra (156 N•m), y los tornillos de 12mm a 75 pies•libra (102 N•m).
8. Apriete nuevamente la llanta de repuesto, si fue aflojada.
9. Asegúrese de que la llanta de repuesto no esté rozando con la manguera de freno. Si es necesario, doble un poquito el soporte en el cual la manguera está instalada para así crear un espacio libre entre la llanta y la manguera de freno.

EQUIPO NECESARIO

15/16"	DADO
15/16"	LLAVE
3/4"	DADO
3/4"	LLAVE
21MM	DADO
	LLAVE DE TORSIÓN

CONVERSIÓN

1/4"	= 6,25 mm
3/8"	= 9,5 mm
1/2"	= 12,7 mm
5/8"	= 15,875 mm



1999-2007 1500, 1999-2004 2500LD CHEVY SILVERADO Y GMC SIERRA (CABINA LARGA):

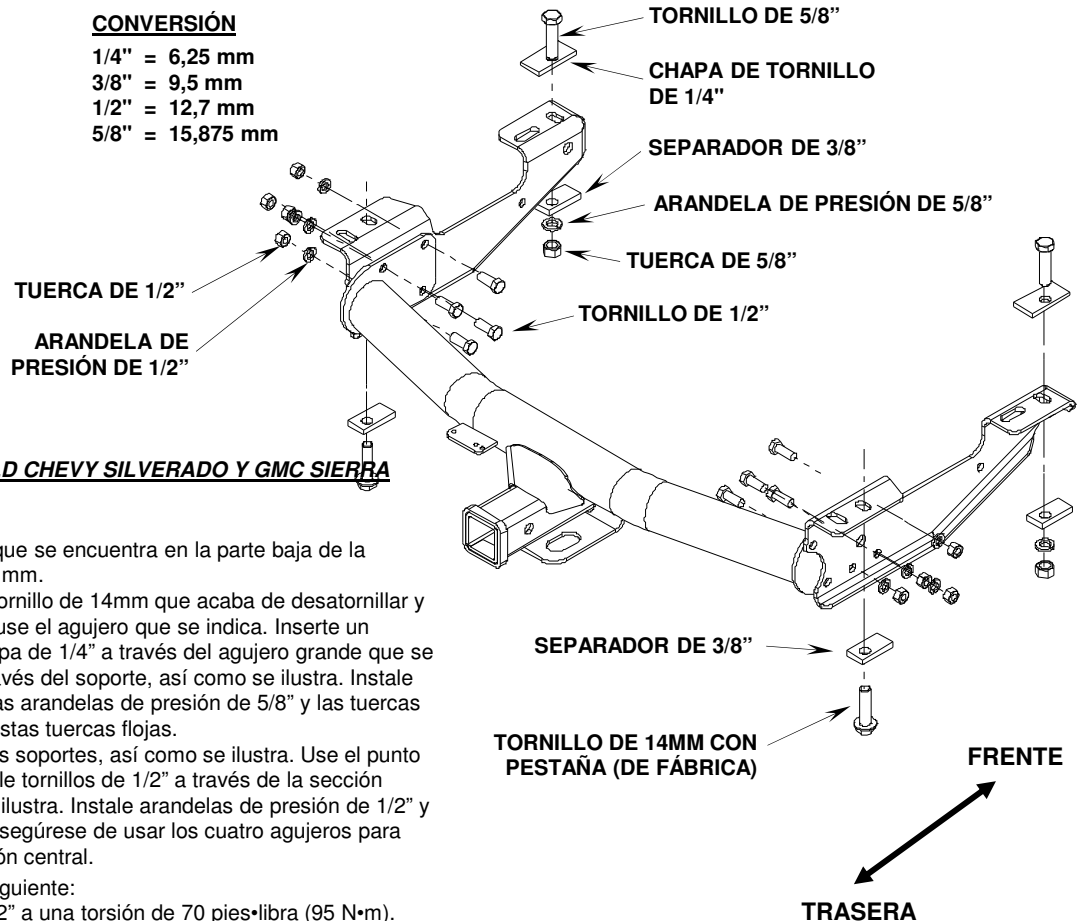
- Desatornille el tornillo de 14mm que se encuentra en la parte baja de la estructura usando un dado de 21mm.
- Atornille los soportes usando el tornillo de 14mm que acaba de desatornillar y un separador de 3/8" de grosor, use el agujero que se indica. Inserte un tornillo de 5/8" junto con una chapa de 1/4" a través del agujero grande que se encuentra en la estructura y a través del soporte, así como se ilustra. Instale separadores de 3/8" de grosor, las arandelas de presión de 5/8" y las tuercas en los tornillos. Por ahora, deje estas tuercas flojas.
- Instale la sección central entre los soportes, así como se ilustra. Use el punto de atornillaje que se indica. Instale tornillos de 1/2" a través de la sección central y el soporte, así como se ilustra. Instale arandelas de presión de 1/2" y tuercas en los tornillos.
NOTA: Asegúrese de usar los cuatro agujeros para atornillar cada soporte a la sección central.
- Apriete las tuercas en el orden siguiente:
Apriete primero las tuercas de 1/2" a una torsión de 70 pies•libra (95 N•m).
Luego apriete las tuercas de 5/8" a 115 pies•libra (156 N•m), y los tornillos de 14mm a 85 pies•libra (115 N•m).

EQUIPO NECESARIO

15/16"	DADO
15/16"	LLAVE
3/4"	DADO
3/4"	LLAVE
21MM	DADO
	LLAVE DE TORSIÓN

CONVERSIÓN

1/4"	= 6,25 mm
3/8"	= 9,5 mm
1/2"	= 12,7 mm
5/8"	= 15,875 mm



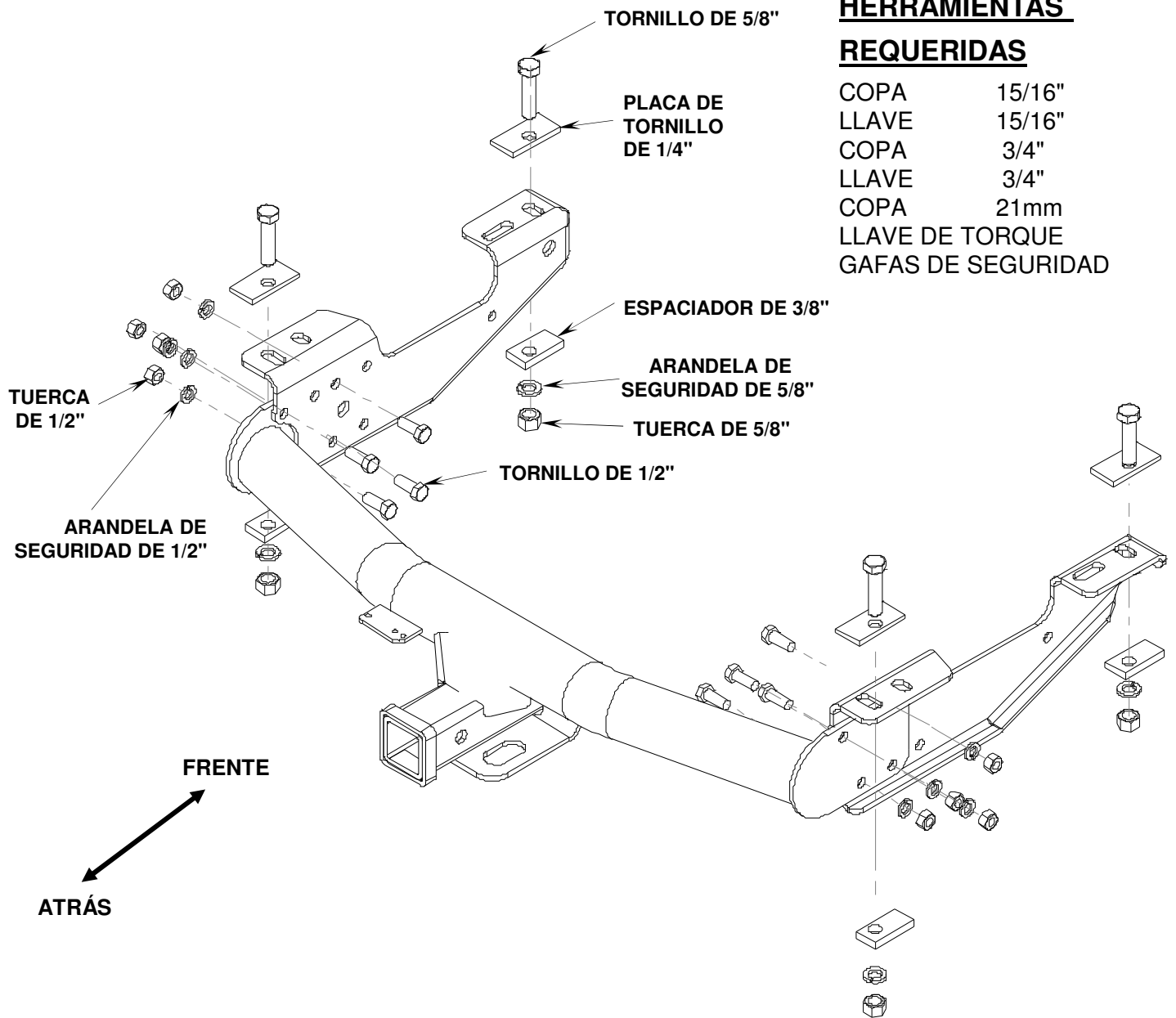
1999-2007 1500, 1999-2004 2500LD CHEVY SILVERADO Y GMC SIERRA (CABINA CORTA):

- Desatornille el tornillo de 14mm que se encuentra en la parte baja de la estructura usando un dado de 21mm.
- Atornille los soportes usando el tornillo de 14mm que acaba de desatornillar y un separador de 3/8" de grosor, use el agujero que se indica. Inserte un tornillo de 5/8" junto con una chapa de 1/4" a través del agujero grande que se encuentra en la estructura y a través del soporte, así como se ilustra. Instale separadores de 3/8" de grosor, las arandelas de presión de 5/8" y las tuercas en los tornillos. Por ahora, deje estas tuercas flojas.
- Instale la sección central entre los soportes, así como se ilustra. Use el punto de atornillaje que se indica. Instale tornillos de 1/2" a través de la sección central y el soporte, así como se ilustra. Instale arandelas de presión de 1/2" y tuercas en los tornillos. **NOTA:** Asegúrese de usar los cuatro agujeros para atornillar cada soporte a la sección central.
- Apriete las tuercas en el orden siguiente:
Apriete primero las tuercas de 1/2" a una torsión de 70 pies•libra (95 N•m).
Luego apriete las tuercas de 5/8" a 115 pies•libra (156 N•m), y los tornillos de 14mm a 85 pies•libra (115 N•m).

HERRAMIENTAS

REQUERIDAS

COPA	15/16"
LLAVE	15/16"
COPA	3/4"
LLAVE	3/4"
COPA	21mm
LLAVE DE TORQUE	
GAFAS DE SEGURIDAD	



TOYOTA TUNDRA 2000-2006:

1. Amplíe el agujero existente en la parte posterior del marco hasta que acepte un tornillo de 5/8" e instale los tornillos de 5/8" a través de las placas de tornillos y en el marco. Con el espaciador de 3/8", la arandela de seguridad de 5/8", y una tuerca de 5/8" atornille los soportes al marco. Deje los tornillos lo suficientemente sueltos para centrar el soporte en el marco de la camioneta. No instale sujetadores en los agujeros delanteros de los soportes en este momento.
2. Instale la sección central en los soportes como se muestra. Use los puntos indicados para los tornillos. Instale tornillos de 1/2" a través de la sección central y los soportes como se muestra. Instale arandelas de seguridad y tuercas de 1/2" en los tornillos.
3. Utilizando los agujeros delanteros en los soportes como guía, taladre un agujero de 5/8" e instale los tornillos de 5/8" con las placas de tornillos de 1/4" a través del marco y los soportes. Instale luego el espaciador de 3/8", la arandela de seguridad de 5/8", y las tuercas de 5/8".

NOTA: Asegúrese de utilizar cuatro agujeros para atornillar los soportes a la sección central.

4. Apriete las tuercas en el siguiente orden:
Primero apriete las tuercas de 1/2" a 70 pies•libra de torque.
Luego apriete las tuercas de 5/8" a 115 pies•libra de torque.

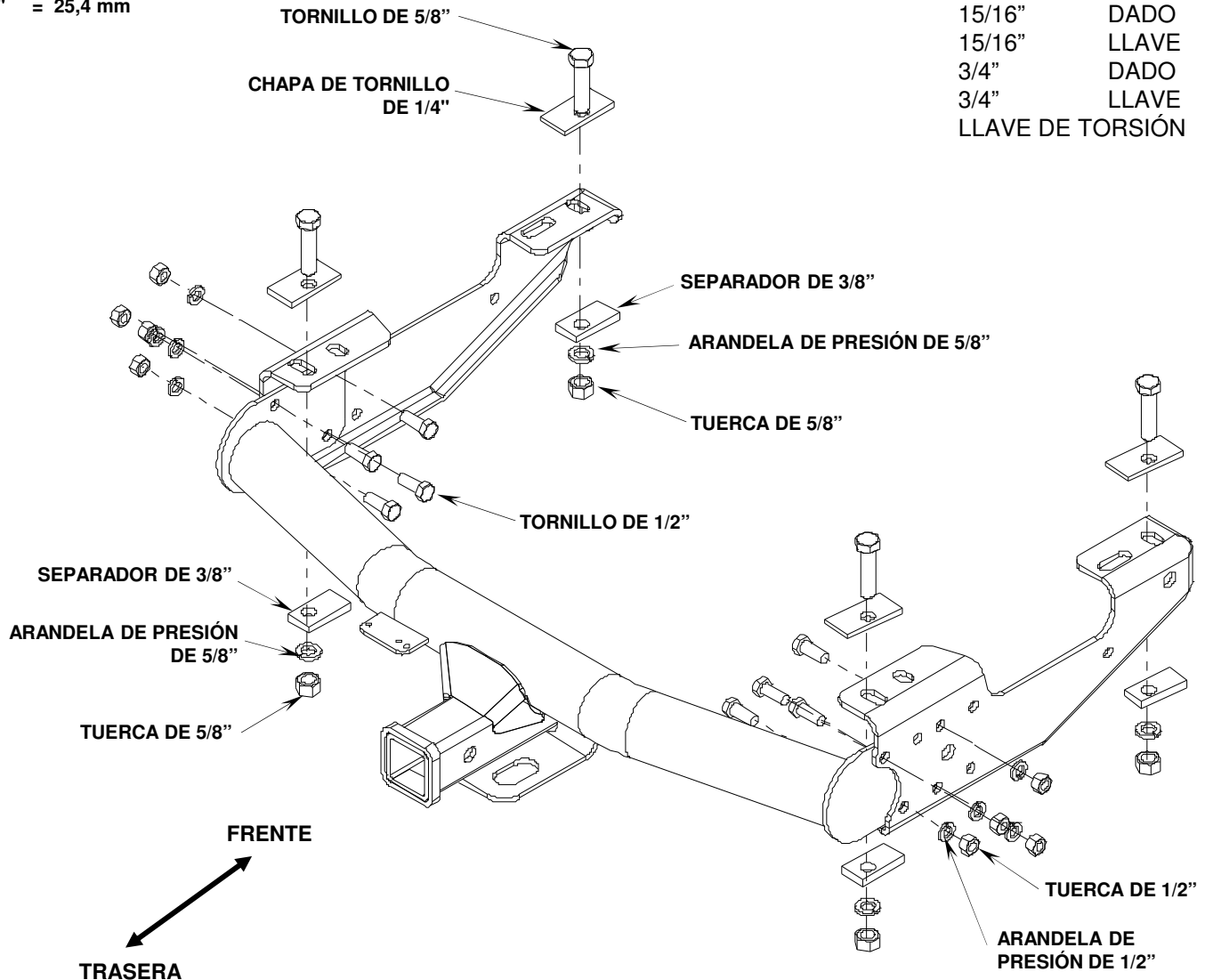
NOTA: LOS SOPORTES LATERALES PUEDEN COMBARSE CUANDO LOS APRIETE

CONVERSIÓN

1/4" = 6,25 mm
3/8" = 9,5 mm
1/2" = 12,7 mm
5/8" = 15,875 mm
1" = 25,4 mm

EQUIPO NECESARIO

15/16"	DADO
15/16"	LLAVE
3/4"	DADO
3/4"	LLAVE
	LLAVE DE TORSIÓN



1971-1993 Dodge Camioneta :

1. Inserte un tornillo de 5/8" junto con una chapa de tornillo de 1/4" a través del agujero de 1" de diámetro que se encuentra al final de la estructura. Haga esto en ambos lados. Fije los soportes a la estructura así como se ilustra, use separadores de 3/8" de grosor, arandelas de presión de 5/8" y tuercas. Deje los tornillos lo suficientemente sueltos para centrar el soporte en el marco de la camioneta.
2. Instale la sección central entre los soportes, así como se ilustra. Atornille a través de la sección central y los soportes usando tornillos de 1/2", arandelas de presión y tuercas. Use los agujeros que se indican. Por ahora, apriete estas tuercas solo con la mano. Es probable que sea necesario modificar algunos porta-llanta de repuesto si el enganche entra en contacto con el porta-llanta. **NOTA:** Asegúrese de usar los cuatro agujeros para atornillar los soportes a la sección central.
3. Usando el agujero del soporte como guía, taladre un agujero de 5/8" de diámetro a través de la estructura. Use el agujero que se encuentra más hacia el frente del vehículo. Haga esto en ambos lados.
4. Inserte tornillos de 5/8" junto con chapas de tornillo de 1/4" a través de la estructura y el soporte. Instale separadores de 3/8" de grosor, arandelas de presión de 5/8" y tuercas en los tornillos.
5. Apriete las tuercas en el orden siguiente:
Apriete primero las tuercas de 1/2" a una torsión de 70 pies•libra (95 N•m).
Luego apriete las tuercas de 5/8" a una torsión de 115 pies•libra (156 N•m).

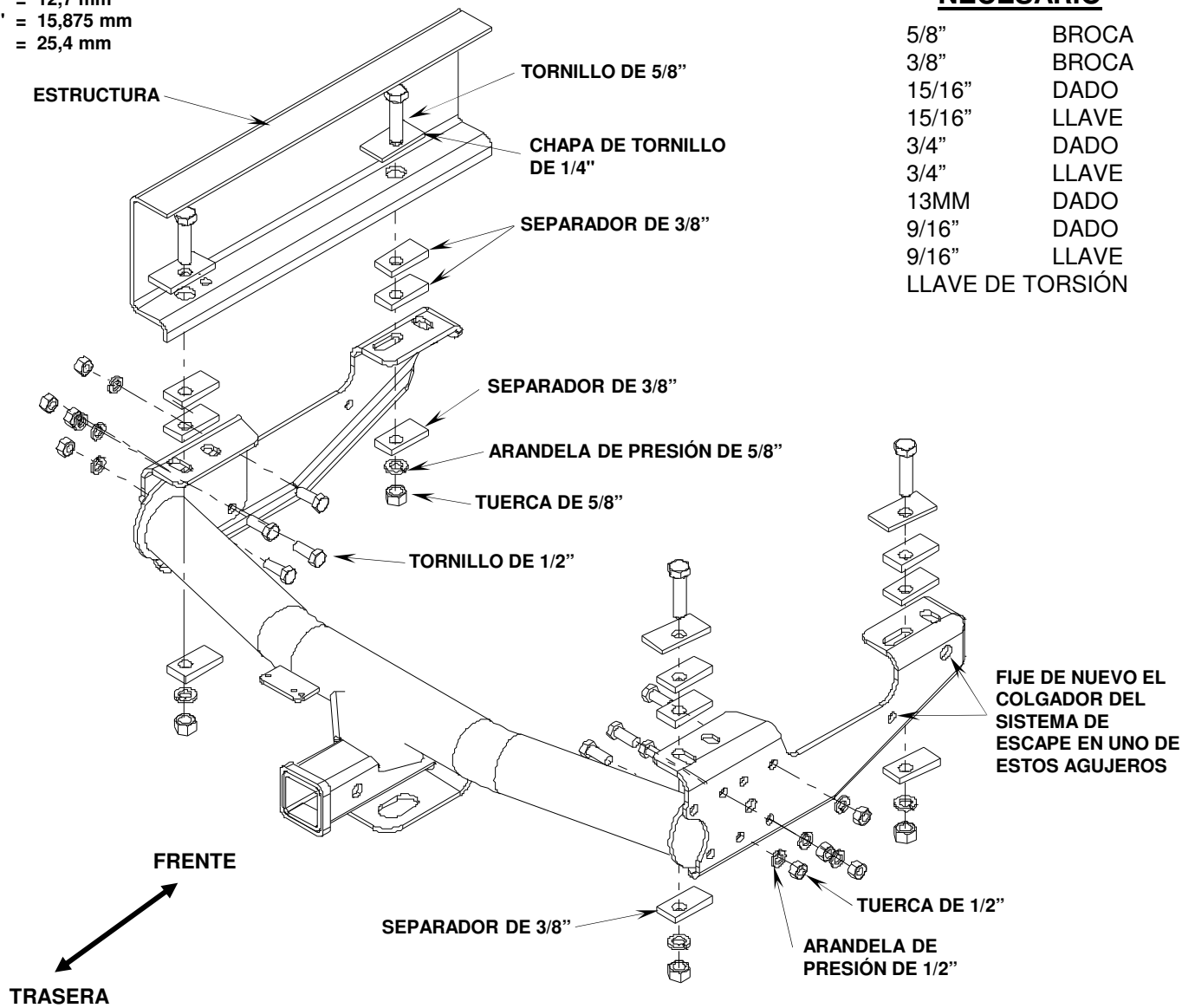
NOTA: LOS SOPORTES LATERALES SE COMBARÁN AL APRETARLOS

CONVERSIÓN

1/4"	= 6,25 mm
3/8"	= 9,5 mm
1/2"	= 12,7 mm
5/8"	= 15,875 mm
1"	= 25,4 mm

EQUIPO NECESARIO

5/8"	BROCA
3/8"	BROCA
15/16"	DADO
15/16"	LLAVE
3/4"	DADO
3/4"	LLAVE
13MM	DADO
9/16"	DADO
9/16"	LLAVE
	LLAVE DE TORSIÓN



1994-2001 y 2002 2500/3500 Dodge Camioneta de Cabina Corta:

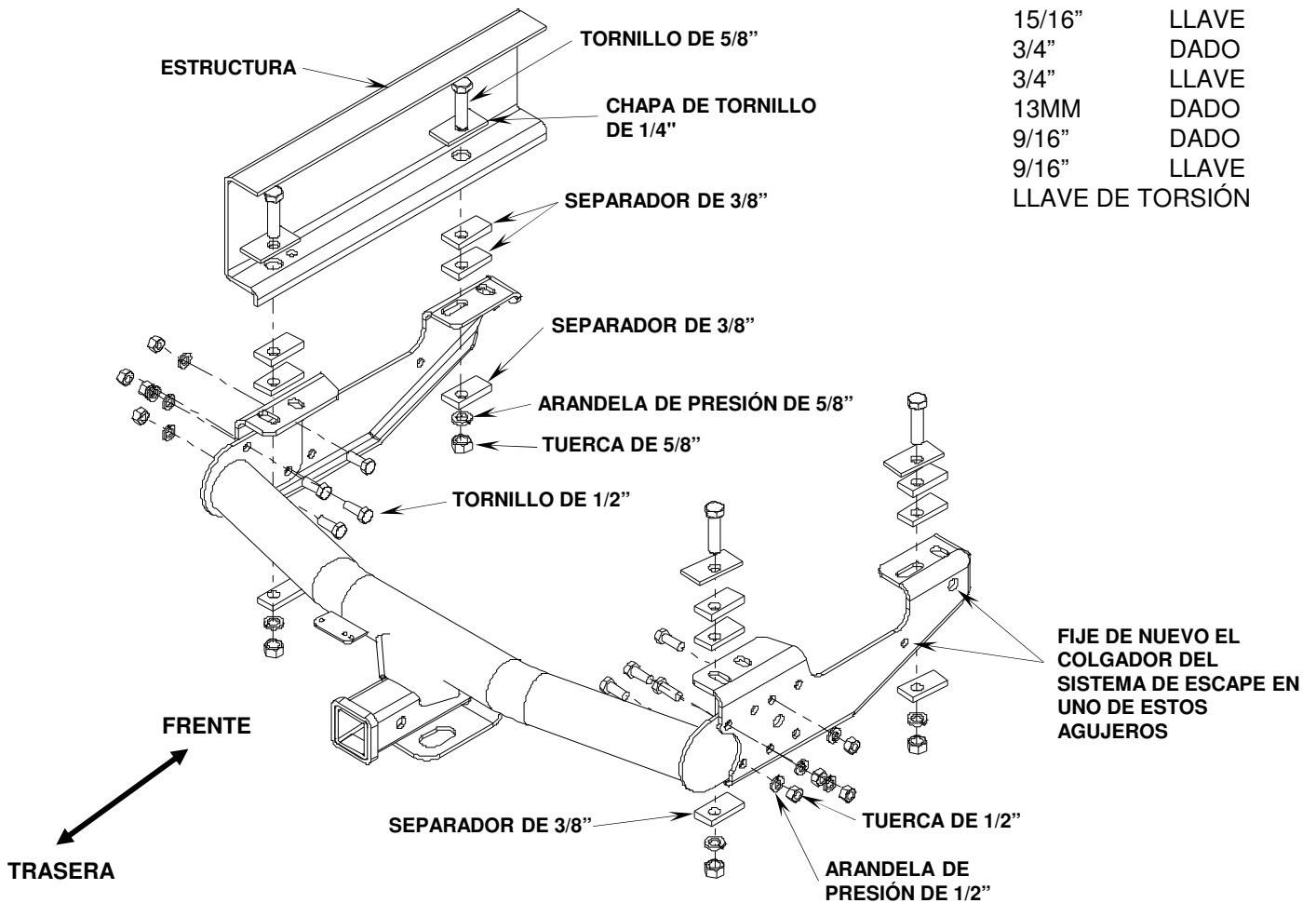
1. Es probable que sea necesario aflojar la llanta de repuesto antes de comenzar la instalación.
2. Atornille los soportes a la estructura, así como se ilustra. Use un tornillo de 5/8" junto con una chapa de tornillo de 1/4" e insértelos a través del agujero de 1" de diámetro que se encuentra al final de la estructura. Instale dos separadores de 3/8" de grosor entre la estructura y los soportes en las localidades de atornillaje traseras. Instale separadores de 3/8" de grosor, arandelas de presión de 5/8" y tuercas en los tornillos.
NOTA: En algunos modelos, el colgador del sistema de escape tendrá que ser desatornillado de la estructura.
3. Instale la sección central entre los soportes, así como se ilustra. Use el patrón de agujeros que va mejor con su camioneta. Inserte los tornillos de 1/2" a través de la sección central y los soportes. Instale arandelas de presión de 1/2" y tuercas en los tornillos. Por ahora, apriete éstos tornillos con la mano. **NOTA:** Asegúrese de usar los cuatro agujeros para atornillar cada soporte a la sección central.
4. Usando el agujero del soporte como guía, taladre un agujero de 5/8" a través de la estructura. Use el agujero que se muestra en el diagrama. Instale tornillos de 5/8" junto con chapas de tornillo en los agujeros. Asegúrese de insertar dos separadores de 3/8" de grosor entre la estructura y los soportes. Instale separadores de 3/8" de grosor, arandelas de presión y tuercas en los tornillos.
5. Si el colgador del sistema de escape fue desmontado, taladre un agujero de 3/8" a través del colgador y una el colgador al soporte del enganche usando uno de los agujeros indicados. Use las piezas de 3/8" que se proveen para atornillar seguramente el colgador del sistema de escape.
6. Apriete las tuercas en el orden siguiente:
Apriete primero las tuercas de 1/2" a una torsión de 70 pies•libra (95 N•m).
Luego apriete las tuercas de 5/8" a una torsión de 115 pies•libra (156 N•m).
7. Si aflojó la llanta de repuesto, apriétela ahora.

CONVERSIÓN

1/4"	= 6,25 mm
3/8"	= 9,5 mm
1/2"	= 12,7 mm
5/8"	= 15,875 mm
1"	= 25,4 mm

EQUIPO NECESARIO

3/8"	BROCA
15/16"	DADO
15/16"	LLAVE
3/4"	DADO
3/4"	LLAVE
13MM	DADO
9/16"	DADO
9/16"	LLAVE
	LLAVE DE TORSIÓN



1994-2001 y 2002 2500/3500 Dodge Camioneta de Cabina Larga:

1. Es probable que sea necesario aflojar la llanta de repuesto antes de comenzar la instalación.
2. Atornille los soportes a la estructura, así como se ilustra. Use un tornillo de 5/8" junto con una chapa de tornillo de 1/4" e insértelos a través del agujero de 1" de diámetro que se encuentra al final de la estructura. Instale dos separadores de 3/8" de grosor entre la estructura y los soportes en las localidades de atornillaje traseras. Instale separadores de 3/8" de grosor, arandelas de presión de 5/8" y tuercas en los tornillos.
NOTA: En algunos modelos, el colgador del sistema de escape tendrá que ser desatornillado de la estructura
3. Instale la sección central entre los soportes, así como se ilustra. Use el patrón de agujeros que va mejor con su camioneta. Inserte los tornillos de 1/2" a través de la sección central y los soportes. Instale arandelas de presión de 1/2" y tuercas en los tornillos. Por ahora, apriete éstos tornillos con la mano. **NOTA:** Asegúrese de usar los cuatro agujeros para atornillar cada soporte a la sección central.
4. Inserte un tornillo de 5/8" junto con una chapa de tornillo de 1/4" a través del agujero de diámetro de 1" en la estructura y en el soporte, como se muestra. Inserte dos separadores de 3/8" de grosor entre la estructura y el soporte. Instale un separador de 3/8" de grosor, una arandela de presión y una tuerca en el tornillo. Haga esto en ambos lados.
5. Si el colgador del sistema de escape fue desmontado, taladre un agujero de 3/8" a través del colgador y una el colgador al soporte del enganche usando uno de los agujeros indicados. Use las piezas de 3/8" que se proveen para atornillar seguramente el colgador del sistema de escape.
6. Apriete las tuercas en el orden siguiente:
Apriete primero las tuercas de 1/2" a una torsión de 70 pies•libra (95 N•m).
Luego apriete las tuercas de 5/8" a una torsión de 115 pies•libra (156 N•m).
7. Si aflojó la llanta de repuesto, apriétela ahora.

For Installation Assistance or Technical Help, Call:
Pour toute assistance technique, composez le :
Si necesita ayuda para la instalación o ayuda técnica, llame al:
1-800-237-6992

This product complies with safety specification and requirements for the State of New York and VESC regulation V-5 for connecting devices and towing systems. **Weight distributing hitch** rating is **12,000 lb** maximum gross trailer weight and **1200 lb** maximum tongue weight. **Weight carrying hitch** rating is **7000 lb** maximum gross trailer weight and **700 lb** maximum tongue weight. Consult vehicle owners manual for towing recommendations and limitations.

Ce produit est conforme aux exigences et aux prescriptions de sécurité de l'état de New York et de la norme V-5 de la VESC pour les dispositifs de raccordement et les attelages. La capacité de l'**attelage répartition de charge** correspond à un poids brut de remorque maximal de **12 000 lb** et à une charge maximale de **1 200 lb** sur le timon. La capacité d'un **attelage sans dispositif de répartition** correspond à un poids brut de remorque maximal de **7 000 lb** et à une charge maximale de **700 lb** sur le timon. Reportez-vous au manuel du propriétaire afin de prendre connaissance des recommandations et des limites dictées par le constructeur.

Este producto cumple con los requerimientos y especificaciones de seguridad del estado de Nueva York y el reglamento VESC V-5 para dispositivos de conexión y sistemas de remolque. El **enganche tipo distribuidor del peso** tiene una capacidad máxima de **12.000 lb/5.443 kg** peso bruto de la remolque, y **1.200 lb/544 kg** en la horquilla. El enganche tipo llevador de peso tiene una capacidad de **7.000 lb/3.175 kg** máximo (peso bruto del remolque) y la carga máxima admisible de la horquilla es de **700 lb/317,5 kg**. Para las recomendaciones y limitaciones del remolque consulte el manual del usuario del vehículo.

THREE YEAR LIMITED WARRANTY GARANTIE LIMITÉE DE TROIS ANS GARANTÍA LIMITADA DE TRES AÑOS

This limited warranty covers products produced by either Cequent Consumer Products, Inc., or Cequent Towing Products, Inc. (herein collectively "Cequent"). Cequent warrants this hitch against defects in material and workmanship under normal recreational use and service, ordinary wear and tear excepted, for three years from the date of purchase, to the original consumer purchaser. Cequent will replace FREE OF CHARGE any part which proves defective in material or workmanship when presented to any Cequent dealer, Cequent Warehouse or returned to factory, TRANSPORTATION CHARGES PREPAID, at the address below. THIS WARRANTY IS LIMITED TO DEFECTIVE PARTS REPLACEMENT ONLY. LABOR CHARGES AND/OR DAMAGE INCURRED IN INSTALLATION OR REPLACEMENT AS WELL AS INCIDENTAL AND CONSEQUENTIAL DAMAGES CONNECTED THEREWITH ARE EXCLUDED. Some states do not allow the exclusion or limitation of incidental or consequential damages, so the above limitation or exclusion may not apply to you. Any damage to the Hitch, Custom Hitch receiver or Sway Control as a result of misuse, abuse, neglect, accident, improper installation, or any use violative of instructions furnished by us, WILL VOID THE WARRANTY. This warranty gives you specific legal rights, and you may also have other rights which vary from state to state. In the event of a problem with warranty service or performance, you may be able to go to a small claims court, a state court, or a federal district court.

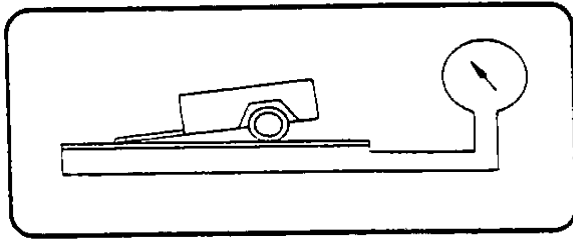
Cette garantie limitée couvre des produits produits par Cequent Consumer Products, Inc., ou produits de remorquage de Cequent, Inc. (herein collectivement "Cequent"). Cequent garantit cet attelage contre les vices de matériau et de fabrication qui se manifestent dans les conditions normales d'utilisation et de service de récréation (ceci ne couvrant pas l'usure normale) à compter de la date d'achat pendant trois ans de la période de propriété de l'acheteur initial. Cequent remplacera SANS FRAIS toute pièce si un défaut de fabrication ou de matériaux vient qu'à se manifester et que l'accessoire est retourné au magasin, à l'entrepôt ou à l'usine Cequent, PORT PAYÉ. CETTE GARANTIE EST LIMITÉE AU REMPLACEMENT DES PIÈCES DÉFECTUEUSES SEULEMENT. ELLE NE COUVRE PAS NON PLUS LES FRAIS DE MAIN-D'OEUVRE ET LES DOMMAGES ENCOURUS PENDANT L'INSTALLATION OU LE REMPLACEMENT, Y COMPRIS LES DOMMAGES FORTUITS OU INDIRECTS. Comme les limites de temps relatives à une garantie tacite ou l'exclusion des dommages de nature fortuite ou indirecte n'ont pas nécessairement cours dans toutes les provinces, il se peut que lesdites limites ou exclusions ne vous concernent pas. La garantie des attelages à barre de tirage fixe ou amovible et des stabilisateurs EST ANNULÉE D'OFFICE dans le cas d'un mauvais emploi, d'un usage abusif, d'un accident, d'une mauvaise installation ou de toute utilisation contraire aux instructions qui les accompagnent. Certains droits particuliers vous sont dévolus en vertu de la présente garantie et peuvent s'accompagner d'autres droits en fonction de la province où vous résidez.

Esta garantía limitada cubre los productos producidos por Cequent Consumer Products, Inc., o productos del remolque de Cequent, Inc. (herein colectivamente "Cequent"). Cequent garantiza este enganche contra defectos del material y mano de obra bajo condiciones de servicio y uso normal de recreación, exceptuando el desgaste normal, a partir de la fecha de compra y durante tres años del período de propiedad del comprador original. Cequent reemplazará GRATUITAMENTE cualquier pieza que resulte defectuosa en material o mano de obra cuando sea presentada a cualquier distribuidor Cequent, al Cequent o sea devuelta a la fábrica, CON PORTE PAGADO, a la dirección indicada abajo. ESTA GARANTIA SE LIMITA SOLAMENTE AL REEMPLAZO DE PIEZAS DEFECTUOSAS. LOS COSTOS DE MANO DE OBRA Y/O DAÑOS INCURRIDOS EN LA INSTALACION O REEMPLAZO ASI COMO LOS DAÑOS SECUNDARIOS O CONSECUENTES RELACIONADOS CON ELLO QUEDAN EXCLUIDOS. En algunos estados no se permite la exclusión o limitación de los daños consecuentes o indirectos, por lo tanto la limitación o exclusión anterior puede que no se aplique en su caso. Cualquier daño al enganche, al receptor del enganche Custom o al control contraladeado causado por mal uso, abuso, negligencia, accidente, instalación incorrecta o cualquier uso que no cumpla con las instrucciones suministradas por nosotros, ANULARA LA GARANTIA. Esta garantía le otorga derechos legales específicos y usted puede también tener otros derechos que varían de un estado a otro. En el caso de un problema relacionado con servicio o rendimiento en virtud de la garantía, usted puede recurrir a la corte de pequeña cuantía, a la corte estatal o federal.

Cequent Towing Products
27070 Miles Rd.
Solon, OH 44139

IMPORTANT INFORMATION ON TOWING

TOWING EQUIPMENT OWNERS: Make sure all operators of your equipment read and understand this information before towing. Save for reference. This will help you properly select, use, and maintain your towing equipment. Refer to owner's manuals for your tow vehicle, trailer, and other parts of your towing system. Learn the capabilities and limitations of each part. **GROSS TRAILER WEIGHT** and **TONGUE WEIGHT** are two of the most important items to consider. **THESE WEIGHTS MUST NEVER EXCEED THE LOWEST RATING OF ANY PART OF YOUR TOWING SYSTEM.** **GROSS TRAILER WEIGHT** is the weight of the trailer plus all cargo. Measure **GROSS TRAILER WEIGHT** with the fully loaded trailer on a level surface. The **WEIGHT** is the downward force exerted on the ball by the trailer coupler. Measure **TONGUE WEIGHT** with the fully loaded trailer on a level surface. The coupler must be at its normal towing height. Use a commercial scale or a bathroom scale. Set up the bathroom scale as shown for heavy tongue weights.



**METHOD FOR MEASURING GROSS TRAILER WEIGHT
YOUR TOWING EQUIPMENT**

TRAILER HITCHES, RECEIVERS, AND BALL MOUNTS

Select these products by their gross trailer weight and tongue weight ratings. Select hitches and receivers for specific vehicles.

HITCH BALLS

Select by gross trailer weight rating, mounting platform thickness, hole size, and coupler socket size. Platform must be at least 3/8 inch thick. Hole must not exceed threaded shank diameter by more than 1/16 inch. Use lock washer. Tighten per instructions. When tightened, shank must protrude beyond bottom of nut. Gross trailer weight rating and ball diameter are marked on **REESE** balls.

TRAILER COUPLERS

The coupler socket should be smooth, clean, and lightly lubricated. Tighten or adjust per coupler manufacturer's instructions.

SAFETY CHAINS

Connect safety chains properly **EVERY TIME YOU TOW**. Cross chains under coupler. Attach securely to the hitch or tow vehicle so they can't bounce loose. Leave only enough slack to permit full turning. Too much slack may prevent chains from maintaining control if other connections separate. Don't let chains drag on the road.

TRAILER LIGHTS, TURN SIGNALS, ELECTRIC BRAKES, AND BREAK AWAY SWITCH CONNECTIONS

Make these safety-critical connections **EVERY TIME YOU TOW**, no matter how short the trip. Check operation, including electric brake manual control, before getting on the road.

SWAY CONTROLS

Sway controls can lessen the effects of sudden maneuvers, wind gusts, and buffeting caused by other vehicles. We recommend them for trailers with large surface areas, such as travel trailers. Adjustable friction models can help control trailers with low tongue weight percentage.

OTHER USEFUL EQUIPMENT

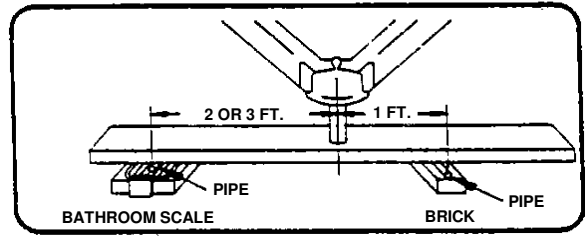
AIR SPRINGS, AIR SHOCKS, or HELPER SPRINGS are useful for some hitch applications. A **TRANSMISSION COOLER** may be necessary for heavy towing. Many states require **TOWING MIRRORS** on both sides.

TIRE INFLATION

Check often. Follow tow vehicle and trailer manufacturers' recommendations. Improper tire inflation can cause trailer sway.

CHECK YOUR EQUIPMENT / REPLACE WORN PARTS

Check ball, coupler, chains, retaining pins and clips, and all other connections **EVERY TIME YOU TOW**. Re-check at fuel and rest stops.



**METHOD FOR MEASURING TRAILER TONGUE WEIGHT
SAFE TOWING TIPS**

NO PASSENGERS IN TRAILERS!

NEVER allow people in trailers while towing, under any circumstances.

TRAILER LOADING

Proper loading helps prevent sway. Place heavy object on the floor ahead of the axle. Balance the load side-to-side. Secure it to prevent shifting. Tongue weight should be 10-15 percent of gross weight for most trailers. Too low a percentage of tongue weight can cause sway. **NEVER** load the trailer rear-heavy. **LOAD THE TRAILER HEAVIER IN FRONT.**

DRIVING

The additional weight of a trailer affects acceleration, braking and handling. Allow extra time for passing, stopping, and changing lanes. Severe bumps can damage your towing vehicle, hitch, and trailer. Drive slowly on rough roads. **STOP AND MAKE A THOROUGH INSPECTION IF ANY PART OF YOUR TOWING SYSTEM STRIKES THE ROAD. CORRECT ANY PROBLEMS BEFORE RESUMING TRAVEL.**

CHECK FOR EXCESSIVE SWAY AND ELIMINATE IT

Excessive sway can lead to loss of control. Sway motion should settle out quickly. Sway tends to increase on a downgrade. Starting slowly, increase speed in gradual steps. If sway occurs, adjust your trailer load and equipment. Repeat until the trailer is stable at highway speed. Do this whenever your trailer loading changes.

IF TRAILER SUDDENLY STARTS TO SWAY

Turbulence from another vehicle, a wind gust, or a downgrade can cause sudden sway. So can a shift of the trailer's load or a trailer tire blowout. **IF THE TRAILER SWAYS, IT IS THE DRIVER'S RESPONSIBILITY TO ASSESS THE SITUATION AND TAKE APPROPRIATE ACTION.** Below are suggestions that may apply, depending on conditions:

DO

- Reduce your speed gradually.
- Hold the steering wheel as steady as possible.
- If your trailer has electric brakes, apply the brakes alone, without using the tow vehicle's brakes.

DON'T

- Don't hit your brake pedal hard unless absolutely necessary. A "jackknife" can result.
- Don't try to steer out of the sway condition. Sudden or violent steering can make it worse.
- Don't speed up. Sway increases as you go faster.
- Don't continue towing a trailer that tends to sway. You may lose control during an emergency maneuver or if the conditions listed above occur.

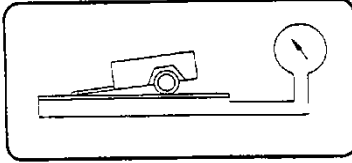
WARNING

DO NOT MODIFY REESE PRODUCTS. INSTALL ONLY ON SPECIFIED VEHICLES IN GOOD CONDITION. REESE TOWING PRODUCTS ARE DESIGNED TO TOW TRAILERS. USE ONLY FOR THIS PURPOSE. Do not attach cargo carriers, motorcycle carriers, boat hoists, or coupler alignment devices. Do not extend the original structure. Do not use to pull or push the towing vehicle. Do not use as a jacking point. Do not attach anything with or in place of the ball. Any exceptions to the foregoing require written approval of REESE PRODUCTS, Inc. **DO NOT TOW MULTIPLE TRAILERS.** Towing one trailer behind another may cause severe instability and loss of control. **FAILURE TO HEED WARNINGS AND FOLLOW INSTRUCTIONS MAY RESULT IN VEHICLE CRASH, PROPERTY DAMAGE AND PERSONAL INJURY**

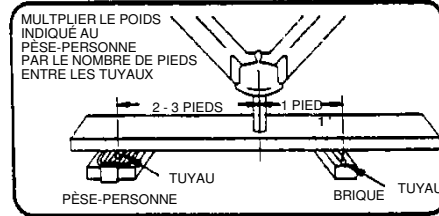
DON'T OVERLOAD ANY PART OF YOUR TOWING SYSTEM

INFORMATION IMPORTANTE SUR LE REMORQUAGE

PROPRIÉTAIRES D'ÉQUIPEMENT DE REMORQUAGE: Assurez-vous que tous les opérateurs de votre équipement lisent et comprennent cette information avant de remorquer. Gardez-la pour référence. Cela vous aidera à sélectionner, utiliser et entretenir correctement votre équipement de remorquage. Référez aux manuels du propriétaire pour votre véhicule remorqueur, remorque, et les autres composants de votre système de remorquage. Apprenez les capacités et les limites de chaque composante. **LE POIDS AU TIMON et POIDS BRUT DE LA REMORQUE** sont deux des points le plus importants à considérer. **CES POIDS NE DOIVENT JAMAIS DÉPASSER LA CÔTE LA PLUS BASSE DE L'ENSEMBLE DES COMPOSANTES DE VOTRE SYSTÈME DE REMORQUAGE. LE POIDS BRUT DE LA REMORQUE** est le poids de la remorque plus toute la charge. Pesez **LE POIDS BRUT DE LA REMORQUE** en mettant la remorque chargée à pleine sur une balance pour véhicule. **LE POIDS AU TIMON** est la force descendante exercée sur la boule par le coupleur de la remorque. Pesez **LE POIDS AU TIMON** avec la remorque chargée sur une surface à niveau. Le coupleur doit être à l'hauteur normal de remorquage. Utilisez une balance commerciale ou un pèse-personne. Préparez le pèse-personne comme montré pour les poids au timon très lourds.



MÉTHODE POUR PESER LE POIDS BRUT DE LA REMORQUE



MÉTHODE POUR PESER LE POIDS AU TIMON

VOTRE ÉQUIPEMENT DE REMORQUAGE

ATTACHES DE REMORQUE, ATTELAGES ET TIMONS

Sélectionnez ces produits par leur cotes de poids brut de remorque et poids au timon. Sélectionnez les attaches et les attelages pour les véhicules spécifiques.

BOULES D'ATTELAGE DE REMORQUE

Sélectionnez par la cote du poids brut de la remorque, l'épaisseur de la base de montage et le diamètre du trou et de la cavité du coupleur. La base doit avoir au moins une épaisseur de 3/8 po. Le trou ne doit pas dépasser par plus que 1/16 po le diamètre des fils de la tige. Utilisez une rondelle de blocage. Serrez selon les instructions. Serrée, la tige doit s'étendre au-delà du fond de l'écrou. La cote du poids brut de la remorque et le diamètre de la boule sont marqués sur des boules d'attelage REESE.

COUPLEURS DE REMORQUE

La cavité du coupleur doit être lisse, propre et légèrement lubrifiée. Serrez ou ajustez selon les instructions du fabricant du coupleur.

CHAÎNES DE SÉCURITÉ

Reliez les chaînes de sécurité correctement **CHAQUE FOIS QUE VOUS REMORQUEZ**. Croisez les chaînes sous le coupleur. Attachez-les solidement au véhicule remorqueur ou à l'attelage afin qu'ils ne puissent pas se détacher en rebondissant. Laissez seulement assez de jeu pour permettre de tourner complètement. Trop de jeu peut empêcher les chaînes de maintenir le contrôle si le coupleur se détache. Ne permettez pas que les chaînes traînent sur la route.

CONNEXIONS DES FEUX DE LA REMORQUE, CLIGNOTANTS, FREINS ELECTRIQUES ET DISPOSITIF DE FREINAGE AUTOMATIQUE

Faites ces connexions nécessaires à la sécurité **CHAQUE FOIS QUE VOUS REMORQUEZ**, peu importe la durée du voyage. Vérifiez toute opération, incluant le control manuel des freins électriques, avant de se mettre en route.

DISPOSITIF ANTIROULIS

Le dispositif antiroulis peut réduire les effets des manoeuvres soudaines, les rafales de vent naturelles, ou celles causées par les autres véhicules. Nous les recommandons pour les remorques à grandes superficies, telles que les roulottes. Les modèles à friction ajustables peuvent aider à contrôler les remorques ayant peu de pourcentage de poids au timon.

AUTRE ÉQUIPEMENT UTILE

LES RESSORTS À AIR, AMORTISSEURS À AIR ou RESSORTS SUPPLEMENTAIRE sont utiles à certaines applications d'attelage. UN REFROIDISSEUR DE TRANSMISSION peut être nécessaire pour le remorquage lourd. Beaucoup d'états exigent les RÉTROVISEURS DE REMORQUAGE sur les deux côtés.

GONFLAGE DES PNEUS

Vérifiez souvent. Suivez les recommandations des fabricants de la remorque et du véhicule remorqueur. Le gonflage incorrect des pneus peut résulter en roulis de la remorque.

VÉRIFIER VOTRE ÉQUIPEMENT / REMPLACER LES PIÈCES USÉES

Vérifiez la boule, le coupleur, les chaînes, les goupilles et barrures à ressort, et toutes autres connexions **CHAQUE FOIS QUE VOUS REMORQUEZ**. Vérifiez-les de nouveau aux arrêts de repos ou lors d'emplissage.

AVIS DE SÉCURITÉ

PAS DE PASSAGERS DANS LA REMORQUE!

Ne permettez jamais des gens dans la remorque pendant le remorquage, peu importe les circonstances.

CHARGER LA REMORQUE

Chargez correctement pour empêcher le roulis. Placez des objets lourds sur le plancher devant l'essieu. Équilibrez la charge de deux côtés. Fixez-la pour empêcher un déplacement. Le poids au timon devrait être 10 - 15% du poids brut pour la plupart des remorques. Un faible pourcentage de poids au timon peut résulter en roulis. **CHARGEZ LA REMORQUE PLUS LOURDEMENT VERS L'AVANT.**

CONDUITE

Le poids additionnel d'une remorque a un effet sur l'accélération, le freinage et le maniement. Permettez assez de temps additionnel pour passer, arrêter et changer de voie. Les bosses sévères peuvent endommager votre véhicule remorqueur, l'attelage et la remorque. Conduisez doucement sur des routes rudes. **ARRÊTEZ ET FAITES UNE INSPECTION COMPLÈTE SI QUELQUE PARTIE DE VOTRE SYSTÈME DE REMORQUAGE FRAPPE LA ROUTE. CORRIGEZ TOUT PROBLÈME AVANT DE REPRENDRE LA ROUTE.**

TESTER POUR LE ROULIS EXCESSIF ET L'ÉLIMINER

Le roulis excessif peut résulter en perte de contrôle. Il doit se régler rapidement. Le roulis a tendance à augmenter sur une descente. Commencez lentement, augmentez la vitesse graduellement. Si le roulis commence, ajustez votre équipement et le chargement de la remorque. Répétez jusqu'à ce que la remorque soit stable à vitesse d'autoroute. Faites cela chaque fois qu'il y a un changement de charge de la remorque.

SI VOTRE REMORQUE COMMENCE SOUDAINEMENT OSCILLER

La turbulence d'un autre véhicule, une rafale de vent, ou une descente peut causer le roulis soudain, aussi bien que peut un changement de charge de la remorque ou un pneu crevé de la remorque. **SI LA REMORQUE SE MET EN ROULIS, IL EST LA RESPONSABILITÉ DU CONDUCTEUR À ÉVALUER LA SITUATION ET PRENDRE L'ACTION APPROPRIÉE.** Ci-dessous sont quelques suggestions qui peuvent vous aider, dépendant de conditions:

À FAIRE

- Réduisez votre vitesse graduellement.
- Tenez le volant aussi stable que possible.
- Si votre remorque a des freins électriques, appliquez-les sans utiliser les freins du véhicule remorqueur.

NE PAS FAIRE

- Ne freinez pas fortement, à moins qu'il soit absolument nécessaire. Cela peut résulter en une "mise en portefeuille".
- N'essayez pas de sortir du roulis en virant. Virer soudainement ou violemment peut l'augmenter.
- N'accélérez pas. Le roulis augment avec la vitesse.
- Ne continuez pas de remorquer une remorque qui a tendance au roulis. Vous pouvez perdre le contrôle pendant une manoeuvre d'urgence ou si les conditions énumérées ci-dessus se présentent.

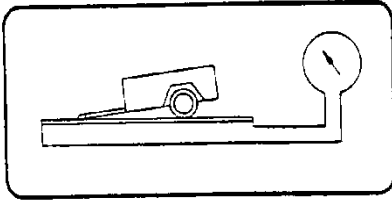
AVERTISSEMENT

NE MODIFIEZ PAS LES PRODUITS REESE. INSTALLEZ-LES SEULEMENT SUR LES VÉHICULES SPÉCIFIÉS QUI SOIENT EN BON ÉTAT. LES PRODUITS DE REMORQUAGE REESE SONT CONÇUS POUR TIRER DES REMORQUES. EMPLOYEZ-LES SEULEMENT DANS CE BUT. N'attachez pas un porteur de cargaison, porteur de motocyclette, treuil de bateau, ou un dispositif d'alignement de coupleur. Ne prolongez pas la structure originale. Ne l'utilisez pas pour tirer ou pousser le véhicule remorqueur. Ne l'utilisez pas comme un point de cric. N'attachez rien avec ou en place de la boule. Toute exception à la précédente exige l'approbation écrite de REESE PRODUCTS, Inc. **NE REMORQUEZ PAS DES REMORQUES MULTIPLES.** Remorquant une remorque derrière une autre peut résulter en perte de contrôle et instabilité sévère. **NÉGLIGER LES AVERTISSEMENTS OU NE PAS SUIVRE LES INSTRUCTIONS PEUT RÉSULTER D'UN ACCIDENT AU VÉHICULE, DOMMAGES DE PROPRIÉTÉ ET BLESSURE PERSONNELLE.**

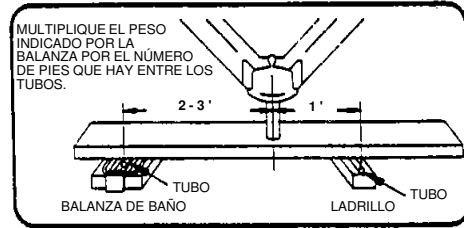
NE SURCHARGEZ AUCUNE COMPOSANTE DE VOTRE SYSTÈME DE REMORQUAGE

INFORMACION IMPORTANTE PARA EL QUE REMOLCA

PROPIETARIO DE EQUIPO DE REMOLQUE: Asegúrese de que todos los operadores del equipo de remolque lean y comprendan esta información ANTES de usarlo (remolcar). Manténgala a la mano, pues ésta le ayudará a seleccionar, usar y mantener apropiadamente el equipo. Recorra siempre a los manuales del propietario de su vehículo de remolque, tráiler y las diferentes partes de su equipo de remolque. Aprenda acerca de las capacidades y limitaciones de cada componente. **EL PESO BRUTO DE REMOLQUE y EL PESO EN LA HORQUILLA** son los dos aspectos a los cuales se debe prestar la mayor importancia y consideración. **ESTOS PESOS NUNCA DEBEN EXCEDER EL ESTIMADO MINIMO DE NINGUNO DE LOS COMPONENTES DE SU SISTEMA DE REMOLQUE. PESO BRUTO DE REMOLQUE** es el peso del remolque cuando éste se encuentra cargado. Para determinar el **PESO BRUTO DE REMOLQUE**, coloque el remolque cargado en una balanza para vehículos. **PESO EN LA HORQUILLA** es la fuerza vertical que es transferida a través del acoplador y reflejada sobre la bola de enganche. Determine el **PESO EN LA HORQUILLA** con el remolque totalmente cargado y sobre una superficie a nivel. El acoplador de bola debe estar a la altura normal de remolque. Use una balanza comercial o una balanza de baño. Si por alguna razón el peso en la horquilla excede la capacidad máxima de la balanza, determine el peso en la horquilla de la manera en que la figura lo ilustra.



MÉTODO PARA DETERMINAR EL PESO BRUTO DE REMOLQUE



MÉTODO PARA DETERMINAR EL PESO EN LA HORQUILLA

SU EQUIPO DE REMOLQUE

ENGANCHES DE REMOLQUE, RECEPTORES DE ENGANCHE Y SOSTENEDOR DE BOLA.

Seleccione estos productos de acuerdo al peso bruto de remolque y el peso en la horquilla. Seleccione los enganches y los receptores de acuerdo al tipo de vehículo que usted posee.

BOLA DE ENGANCHE

Selecciónela tomando en cuenta el peso bruto de remolque, grosor de la plataforma de montaje, diámetro del orificio y tamaño de la junta de encastre. La plataforma de montaje debe tener un grosor de al menos 3/8 de pulgada. El orificio no debe exceder el diámetro de la pierna roscada por más de 1/16 de pulgada. Use una arandela de presión. Apriete de acuerdo a las instrucciones. Luego de haber apretado, la pierna roscada debe sobresalir del borde de la tuerca. La clasificación del peso bruto de remolque y el diámetro de la bola, se encuentran marcados en todas las bolas REESE.

ACOPLADORES DE BOLA

El encastre del acoplador de bola debe ser liso, estar limpio y ligeramente lubricado. Apriete o ajuste de acuerdo a las instrucciones del fabricante del acoplador.

CADENAS DE SEGURIDAD

Conecte adecuadamente las cadenas de seguridad **CADA VEZ QUE REMOLQUE**. Cruce las cadenas debajo de la junta de encastre. Fíjelas al vehículo remolcador o al enganche y asegúrese de que éstas no entren en contacto con la carretera. Si las cadenas están demasiado flojas, éstas no podrán mantener el control del remolque en caso de que otras conexiones se llegasen a separar. No permita que las cadenas entren en contacto con la carretera.

CONEXIONES PARA LUCES DE REMOLQUE, LUCES DE CRUCE, FRENOS ELÉCTRICOS E INTERRUPTOR DE DESCONEJÓN ACCIDENTAL

No importa cuan corto sea el viaje, asegúrese de hacer estas conexiones **CADA VEZ QUE USE EL REMOLQUE**. Antes de partir, asegúrese de que todas las conexiones estén funcionando adecuadamente, incluyendo el control manual del freno eléctrico.

CONTROLES ANTI-ZIGZAG

Los controles anti-zigzag pueden disminuir los efectos causados por maniobras repentinas, ráfagas de viento o turbulencias causadas por otros vehículos. Los recomendamos para remolques con grandes superficies de área, tales como remolques de viaje. Los modelos con ajuste de fricción pueden ofrecer un mayor control en remolques que tienen un bajo porcentaje de peso en la horquilla.

OTRO EQUIPO ÚTIL

RESORTES A AIRE, AMORTIGUADORES DE AIRE o RESORTES SUPLEMENTARIOS pueden ser de gran utilidad dependiendo del uso que se le dará al enganche. Un **ENFRIADOR DE TRANSMISIÓN** puede ser necesario en caso de que la carga sea demasiado pesada. Muchos estados exigen **ESPEJOS DE REMOLQUE** en ambos lados.

PRESIÓN DE LOS NEUMÁTICOS

Revisela frecuentemente. Siga las recomendaciones del fabricante del remolque y del vehículo remolcador. Inadecuada presión en los neumáticos puede causar zigzag del remolque.

REVISE SU EQUIPO / REEMPLACE LAS PARTES DESGASTADAS

Revise la bola de enganche, la junta de encastre, las cadenas, los pernos, los seguros y todas las otras conexiones **CADA VEZ ANTES DE USAR EL REMOLQUE**. Revise nuevamente cada vez que se detenga a descansar o a obtener combustible.

ADVERTENCIA

NO MODIFIQUE LOS PRODUCTOS REESE. INSTALE SOLO EN VEHÍCULOS ESPECIFICADOS QUE ESTEN EN BUENAS CONDICIONES. LOS PRODUCTOS DE REMOLQUE REESE HAN SIDO DISEÑADOS PARA REMOLCAR REMOLQUES. USE SOLAMENTE PARA ESTE PROPOSITO. No los use como transportadores de cargamento, transportadores de motocicletas, elevadores de barco o dispositivos de alineación de junta de encastre. No extienda la estructura original. No los use para empujar o halar el vehículo remolcador. No los use como un punto para levantar con el gato. No fije nada con o en lugar de la bola de enganche. Cualquier excepción a lo anterior requiere aprobación escrita por parte de REESE PRODUCTS, Inc. **NO REMOLQUE REMOLQUES MÚLTIPLES.** Remolcar un remolque detrás del otro puede causar gran inestabilidad y pérdida de control. **EL NO ACATAR ESTAS ADVERTENCIAS Y NO SEGUIR LAS INSTRUCCIONES, PUEDE TRAER COMO CONSECUENCIA CHOQUE DEL VEHÍCULO, DAÑO A PROPIEDAD Y LESIONES PERSONALES.**

NO SOBRECARGUE NINGÚN ELEMENTO DE SU SISTEMA DE REMOLQUE

CONSEJOS PARA SEGURIDAD

¡ NO LLEVE PASAJEROS EN EL REMOLQUE!

Cuando esté remolcando no permita, bajo ninguna circunstancia, que personas viajen en el remolque.

CARGA DEL REMOLQUE

La carga apropiada del remolque puede ayudar a prevenir el zigzag. Coloque los objetos pesados sobre el piso, delante del eje. Balancee la carga a ambos lados del remolque. Asegúrese de que la carga no se mueva. En la mayoría de los casos, el peso en la horquilla debe estar entre el 10-15 % del peso bruto del remolque. Un bajo porcentaje de peso en la horquilla puede causar zigzag.

NUNCA coloque la carga mas pesada en la parte trasera del remolque. **ASEGÚRESE DE QUE LA CARGA MAS PESADA ESTÉ EN EL FRENTE DEL REMOLQUE.**

MANEJO

El peso adicional de un remolque afecta aceleración, frenado y conducción. Tome suficiente tiempo para pasar otros vehículos, frenar y cambiar de carril. Los golpes severos pueden causar daño al vehículo remolcador, a los enganches y al remolque. Maneje despacio en carreteras dañadas. **DETÉNGASE E INSPECCIONE COMPLETAMENTE SI ALGUNA PARTE DE SU SISTEMA DE REMOLQUE HACE CONTACTO CON LA CARRETERA. CORRIJA CUALQUIER PROBLEMA ANTES DE REANUDAR EL VIAJE.**

ESTE PENDIENTE DEL ZIGZAG EXCESIVO, SI HAY, ELIMÍNELO. Zigzag excesivo puede causar pérdida de control del vehículo. El movimiento de zigzag debe corregirse rápidamente. Zigzag tiende a aumentar en bajadas. Comenzando lentamente, aumente la velocidad gradualmente. Si ocurre zigzag, ajuste el equipo y la carga del remolque. Repita este procedimiento hasta que el remolque se mantenga estable a velocidad de carretera. Haga esto cada vez que la carga del remolque varíe.

SI SU REMOLQUE COMIENZA A ZIGZAGUEAR REPENTINAMENTE

Turbulencia de otro vehículo, una ráfaga de viento, o una bajada pueden causar zigzag repentino, movimiento de la carga del remolque o la explosión de un neumático. **SI EL REMOLQUE ZIGZAGUEA, ES RESPONSABILIDAD DEL CONDUCTOR EVALUAR LA SITUACIÓN Y TOMAR LAS MEDIDAS NECESARIAS PARA CORREGIR EL PROBLEMA.** Las siguientes son sugerencias que se pueden aplicar de acuerdo a las condiciones:

HAGA

- Reduzca la velocidad gradualmente.
- Mantenga el volante tan firme como le sea posible.
- Si su remolque tiene frenos eléctricos, aplique los frenos del remolque sin usar los frenos del vehículo remolcador.

NO HAGA

- No frene a fondo a menos que sea absolutamente necesario. El remolque se podría voltear.
- No trate de maniobrar con el volante para corregir el zigzag, esto podría agravar la situación.
- No acelere. El zigzag aumenta a medida que la velocidad aumenta.
- No continúe remolcando un remolque que tiende a zigzaguear. Usted puede perder el control durante una maniobra de emergencia o si las condiciones mencionadas arriba ocurren.